

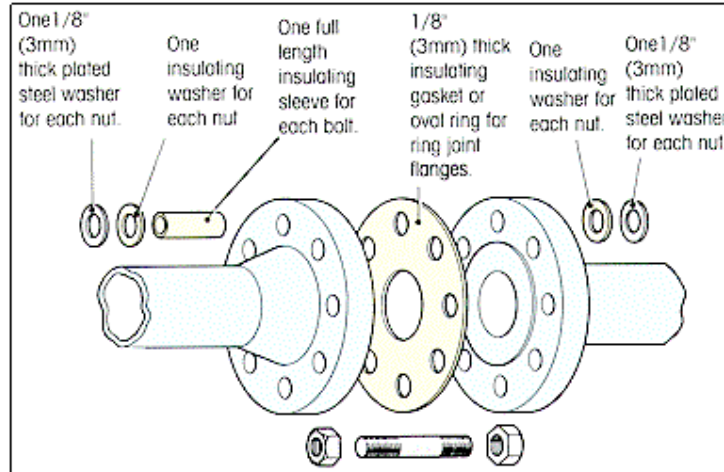


CORROSION CONTROL

Technical Datasheet

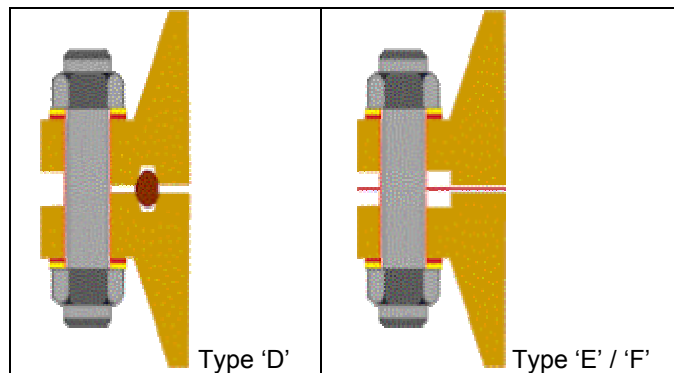
ISOLATION FLANGE KITS

BAC flange insulation kits offer effective cathodic protection against corrosion in flanged piping systems. Available in three types (see below), each kit comprises of one insulating gasket (either an oval ring type joint or flat gasket dependant on flange type.), one insulating sleeve per bolt, two insulating washers per bolt and two plated steel washers per bolt.



Insulating gasket manufactured from reinforced phenolic. Insulating sleeve manufactured from phenolic. Insulating washers manufactured from reinforced phenolic.

- TYPE `D` : For use on ring joint flanges.
- TYPE `E` : For use on flat face and raised face flanges.
- TYPE `F` : Central gasket locates inside the bolts.



Component	Units	Neoprene faced phenolic gasket	Reinforced Phenolic insulating washer	Phenolic insulating sleeve
Dielectric Strength	Volts/mm	500	200	140
Compressive Strength	PSI	39000	-	-
Flexural Strength	PSI	22500	22000	-
Water Absorption	%	1.6	1.0	1.0
Max Operating temp	Celsius	107	107	107