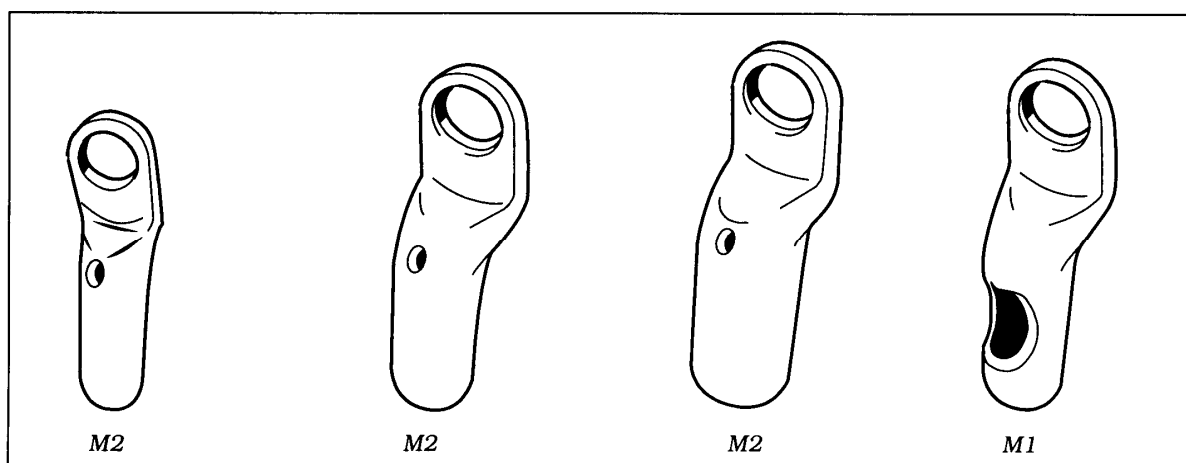


# CABLE LUGS

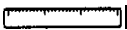



## Cable lugs

**BRIGHT-BOND** cable lugs are specially manufactured for pin brazing. Consult the table on the choice of a suitable cable lug. The lugs are of two different types. M1 is pin brazed to the cable. M2 is crimped to the cable.

Always use **BRIGHT-BOND** crimping tools to ensure adequate contact.

See the separate table on "Crimping tools".

Fig.	#		Cable Cross-section		Brazing pin	Remarks
M1	270 091 6610	8 x 12mm	25mm <sup>2</sup>	50	B	
M1	278 100 8230	9x 13mm	35mm <sup>2</sup>	50	B	
M1	270 092 9130	11 x 14mm	50mm <sup>2</sup>	40	B	
M2	278 100 7360	6,1 x 9mm	10mm <sup>2</sup>	100	F	
M2	278 100 9000	6,5 x 12mm	16mm <sup>2</sup>	100	F	
M2	278 100 3650	6,5 x 12mm	Ø 6mm	50	F	
M2	270 088 7800	8 x 12mm	25mm <sup>2</sup>	50	B	
M2	278 100 7810	9 x 13mm	35mm <sup>2</sup>	50	B	
M2	270 088 7790	11 x 14mm	50mm <sup>2</sup>	40	B	
M2	278 100 5910	8,5 x 12mm	Ø 8mm	50	B	

B = 270 083 3520 or 278 190 4360

*We reserve the right to make technical changes*

## Crimping tools

#	Designed for	Remarks
T 2600	10- 95mm <sup>2</sup>	Mechanical
V 500	10 - 95mm <sup>2</sup>	Hydraulic
V 1311C	10 - 300mm <sup>2</sup>	Hydraulic

For information about other cable lugs, please ask for our special catalogue.

*We reserve the right to make technical changes*