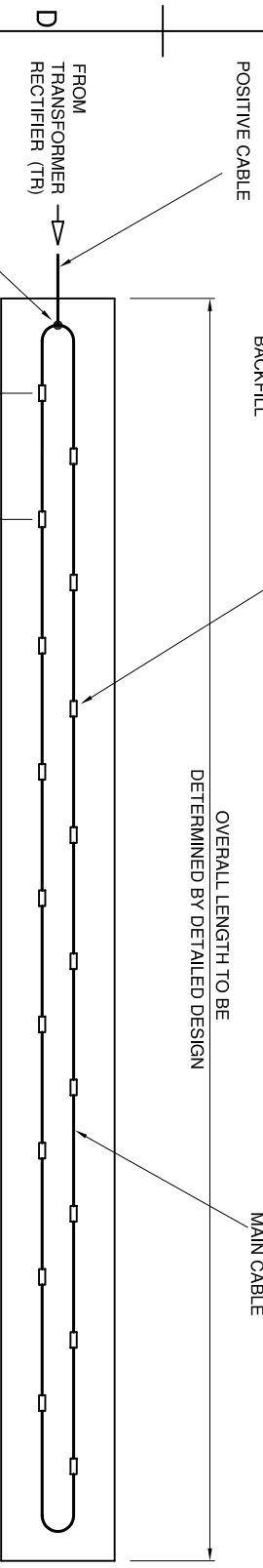
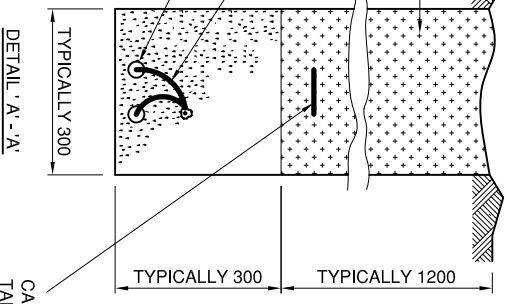
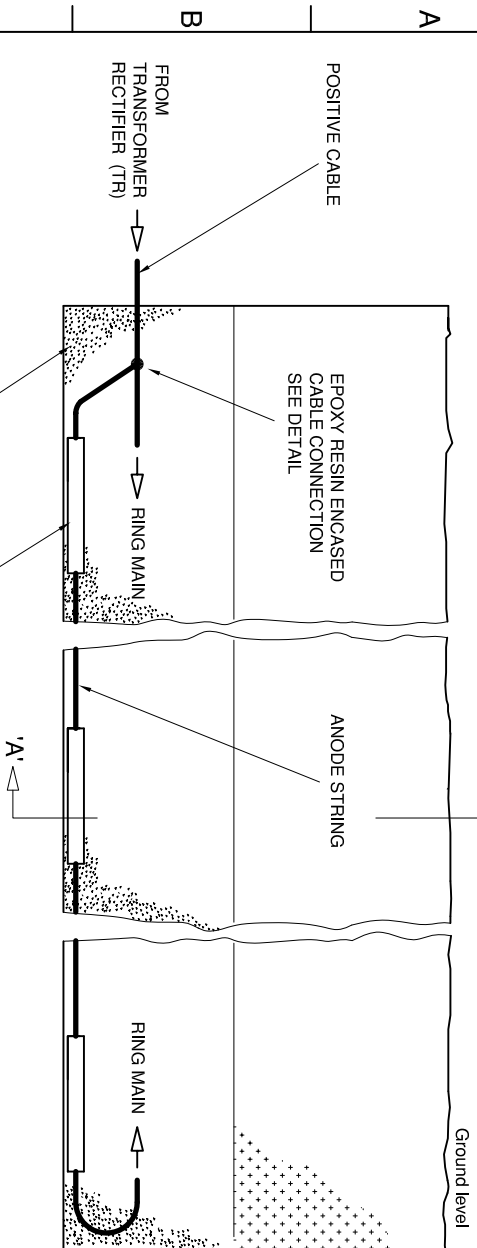


DO NOT SCALE

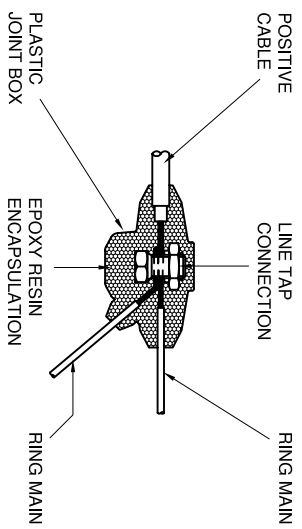
FIRST ISSUE ON RELEASE NOTE

REVISION



OVERALL PLAN OF GROUNDBED

EPOXY RESIN ENCASED CABLE CONNECTION SEE DETAIL



DETAIL OF SPLICE KIT CONNECTION



STAFFORD PARK 11
TELFORD
TF3 3AY
UNITED KINGDOM

PHONE : +44 (0) 1952 290321
FAX : +44 (0) 1952 290325
EMAIL : sales@bacgroup.com
ENGINEERING@bacgroup.com
WEBSITE : www.bacgroup.com

TYPICAL HORIZONTAL SHALLOW GROUNDBED USING MMO ANODES

DRAWN	DGT	DATE	20/04/04	MATERIAL		SHEET	1 OF 1
CHECKED	DJ	DATE	21/04/04	THIS DRAWING IS THE PROPERTY OF BAC CORROSION CONTROL LTD. IT MUST NOT BE COPIED, USED FOR MANUFACTURE OR OTHERWISE DISCLOSED WITHOUT THE PRIOR ARRANGEMENT OF THE COMPANY.			
REVIEWED	DM	DATE	23/04/04	SCALE	NTS	A3	
APPROVED	APG	DATE	24/04/04	STD DRAWING	S 003	REV	0