



A DIVISION OF
BAC[®]
CORROSION CONTROL

Member of

MIDROC



**Internal Corrosion
Monitoring and
Chemical Injection
Specialists**





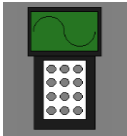

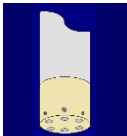



PRODUCT CATALOGUE

2019

Contents Page

Section No.

1	Access Systems & Accessories	
2	Corrosion Coupons, Coupon Holders & Accessories	
3	Electrical Resistance (ER) Corrosion Probes	
4	Linear Polarisation Resistance (LPR) Corrosion Probes	
5	Instrumentation & Accessories	
6	Chemical Injection & Sampling	
7	Specialist Probes	
8	Catch Pot Corrosion & Sampling Trap	
9	Information & Calculation Sheets	

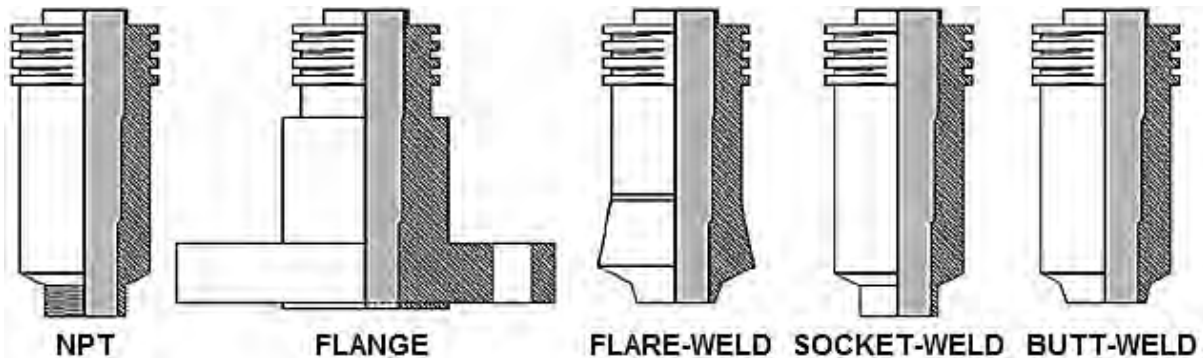
1.0 Access Systems & Accessories



Sub-Section No.

- 1.1 Two Inch System Access Fitting Assemblies (Triseal®)
- 1.2 Non Tee Type Access Fittings
- 1.3 Tee Type Access Fittings
- 1.4 Two Inch System Accessories
- 1.5 Two Inch System Retriever Unit
- 1.6 Two Inch System Service Valve Kits
- 1.7 Hydraulic Retriever
- 1.8 Hot Tap Tool
- 1.9 Model 600 Retractable System Access Valve
- 1.10 Model SR2159 Retractable System Easy Tool

1.1 Triseal® Two Inch System Retrievable Access Fitting Assembly



The TRISEAL®* Two Inch System makes it possible to insert and retrieve a complete range of corrosion monitoring, erosion monitoring, biomonitors, hydrogen monitoring, chemical injection and sampling system probes, quills and nozzles whilst the operating system, vessel or pipeline remains operational and at full operational pressure.

A comprehensive range of access fitting assemblies are available in a wide range of styles and materials.

The Two Inch System Access Fitting Assemblies consist of:

1. The Access Fitting Body.
2. A Solid or Hollow Plug
3. A Thread Protecting Cover (Optional)

The Design of the Access Fitting Bodies conforms with the below listed standards and codes:

- ASME B31.3
- API RP 14E
- ASME/ANSI B16.5
- NACE MR-0175



All components of the TRISEAL* System Two Inch System are interchangeable with existing 2 inch high pressure access systems from other manufacturers following industry standard design.

*TRISEAL is a Registered Trade Mark of RCSL Corrosion Monitoring

1.1

Triseal® Two Inch System Retrievable Access Fitting Assembly



Triseal Access Fitting Assembly Ordering Product Code Generation

MOUNTING TYPE	TEE OPTIONS		BODY STYLE			BODY MATERIAL
1. – Flare-weld 2. – Butt-weld 3. – 2" Socket-weld 4. – 2" NPT 5. – ANSI Flange RJ 6. – ANSI Flange RF 7. – API Flange 8. – ANSI Flange FF 9. – Other (Please Specify)	Digit 1 0. – NON TEE 1. – ¼" TEE 2. – ½" TEE 3. – ¾" TEE 4. – 1" TEE 5. – 150# RF 6. – 300# RF 7. – 400/600# RF 8. – 900/1500# RF 9. – 2500# RF A. – 150# RJ B. – 300# RJ C. – 400/600# RJ D. – 900/1500# RJ E. – 2500# RJ F. – 2" 2500# RJ G. – API 2000# H. – API 3/5000# I. – API 10000# Z. Other (Please Specify)	Digit 2 o. – NON TEE a. – Drilled Tee b. – NPT Tee c. – Socket-weld Tee d. – ½" flange and bore e. – ¾" flange and bore f. – 1" flange and bore g. – 2" flange (1" bore) z. – Other (Please Specify)	2" SOCKET WELD 0. – N/A 2" NPT 0. – N/A BUTT-WELD Base Profile 1. – 2" 2. – 3" FLARE-WELD Base Profile 3. – 4" 4. – 6" 5. – 8" – 10" 6. – 12" – 18" 7. – 20" – 36" 8. – FLAT	ANSI Flange Rating 1. – 150# 2. – 300# 3. – 4/600# 4. – 9/1500# 5. – 2500#	API Flange Rating 1. – 2000# 2. – 3/5000# 3. – 10000#	1. – AISI 1022 CARBON STEEL 2. – ASTM A105 CARBON STEEL 3. – ASTM A350 LF2 CARBON STEEL 4. – 316 S/S 5. – DUPLEX S/S (Please Specify) 6. – SUPER DUPLEX (Please Specify) 7. – ASTM A694 F65 8. – 304 S/S 9. – ASTM B381 A. – ASTM B348 B. – A350LF2 GR LCB C. – UNS N06625 D. – UNS N08825 E. – A216 GR WCB F. – 321 SS G. – Ti GR2 H. – Hastelloy C276 J. – A182-F44 K. – 410 St St L. – UNS S31803 / S32205 DSS M. – UNS S32750 SDSS N. – UNS S32760 SDSS O. – ASTM A694 F60 Z. – Other (Please Specify)

PRODUCT CODE: TS X - Xx - X X - X X X - X X - X

PLUG TYPE	PLUG MATERIAL	PLUG SEALS	COVER TYPE	COVER MATERIAL	COATING
0. – NOT REQ'D 1. – SOLID 2. – HOLLOW	0. – NOT REQD 1. – 316 S/S 2. – 316L S/S 3. – C276 4. – UNS S21800 5. – CS 6. – UNS S31803 7. – UNS N06625 8. – UNS N08825 9. – Ti A. – F44 B. – UNS S32750 C. – UNS S32760 D. – A105 E. – A350LF2 F. – 321 S/S Z. – OTHER (Please Specify) Note: Option 4 has 316 S/S trim	0. – NOT REQUIRED 1. – VITON O-RING, PTFE PRIM PKG 2. – ETHYLENE PROPYLENE O-RING, VESPEL PRIM PKG 3. – KALREZ O-RING, VESPEL PRIM PKG 4. – NO O-RING, UNS S21800 PKG 5. – HYDRIN O-RING, PTFE PKG 6. – OTHER (PLEASE SPECIFY) 7. – PTFE PROBE SEAL, PTFE PRIM PKG – Hollow Plug Only 8. – AED HNBR O-RING, (PLEASE SPECIFY), PTFE PRIM PKG 9. – PEEK PROBE SEAL, PEEK PRIM PKG – Hollow Plug Only A. – AF69/90 O-RING, PTFE PRIM PKG B. – NITRILE O-RING, PEEK PRIM PKG C. – FR 25/90 O-RING, PTFE PRIM PKG D. – HNBR ELASTOLION 101 (RGD) O-RING, PEEK PRIM PKG E. – KALREZ O-RING, PTFE PRIM PKG F. – FR 58/90 (VITON B) AED O-RING, PTFE PRIM PKG G. – VITON AED O-RING, PEEK PRIM PKG H. – AFLAS O-RING, PEEK PRIM PKG I. – VITON AED O-RING, PTFE PRIM PKG J. – ETHYLENE PROPYLENE (EDPM) O-RING, PTFE PRIM PKG K. – NITRILE O-RING, PTFE PRIM PKG L. – HNBR ELASTOLION 985 O-RING, PEEK PRIM PKG M. – VERMILION® FOUR O-RING, PTFE PRIM PKG N. – ELAST-O-LION 985 O-RING, PTFE PRIM PKG O. – ELAST-O-LION 101 O-RING, PTFE PRIM PKG Note: Hollow plug can only have options 0, 6, 7 or 9.	0. – NOT REQUIRED 1. – HEAVY COVER W/O HOLE 2. – HEAVY COVER W/HOLE 3. – POLYCARBONATE COVER W/O HOLE 4. – POLYCARBONATE COVER W/HOLE 5. – 4000 PSI RATED COVER W/BLEED VALVE 6. – 4000 PSI RATED COVER W/BLEED VALVE & PRESSURE GAUGE 7. – 4000 PSI RATED COVER W ½" NPT HOLE 8. – 4000 PSI RATED COVER W/BLEED VALVE, PRESSURE GAUGE & ½" NPT HOLE 9. – 4000 PSI RATED COVER PLAIN A. – 4000 PSI RATED COVER W ½" NPT HOLE AND BLEED VALVE B. – COVER FOR USE WITH HYDROGEN PROBES C. – NYLON COVER W/O HOLE D. – NYLON COVER W/HOLE E. – HEAVY COVER W/½" NPT HOLE Z. – OTHER (Please Specify)	0. – NOT REQUIRED 1. – 1022 CS 2. – 316 SS 3. – UNS S31803 4. – A105 / A350LF2 5. – TITANIUM 6. – A694 7. – A182-F44 8. – AISI4140 / EN19T / 708M40T 9. – UNS S32760 A. – POLYCARBONATE B. – NYLON C. – UNS N06625 D. – UNS N08825 E. – 321 S/S F. – UNS S32750 Z. – OTHER (Please Specify)	0. – NO COATING 1. – STD COATING 2. – OTHER (Please Specify) Note: Standard Coating is only suitable for carbon steel.
PLUG ASSEMBLY OPTIONS			COVER OPTIONS		COATING OPTIONS

Examples

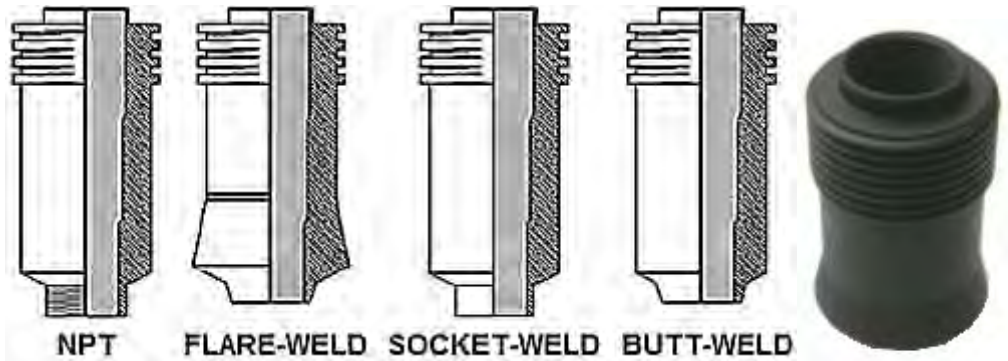
- To order an Access Fitting Body only, please generate the Product Code as per the below example.
Example: 2" 4/600# ANSI RTJ Access Fitting, ¼ inch NPT tee, Duplex SS, without coating = Product Code: TS51b35-000-00-0.
- To order a Body with a Plug Assembly, please generate the Product Code as per the below example.
Example: Flare-weld access fitting, ¾ inch drilled tee, for pipeline size of 4 inch, ASTM A105 Carbon Steel, with 316 S/S Solid Plug, Viton O-Ring and PTFE Primary Packing, without coating = Product Code: TS13a32-111-00-0.
- To order a Body with a Plug Assembly and a Cover, please generate the Product Code as per the below example.
Example: Flare-weld Access Fitting, non-tee, flat base profile, ASTM A105 Carbon Steel, with 316 S/S Solid Plug, Viton O-Ring and PTFE Primary Packing, Heavy Cover without hole in AISI 1022 CS, RCSSL standard coating = Product Code TS10a82-111-11-1

1.2

Triseal® Two Inch System Retrievable Non-Tee Type Access Fittings

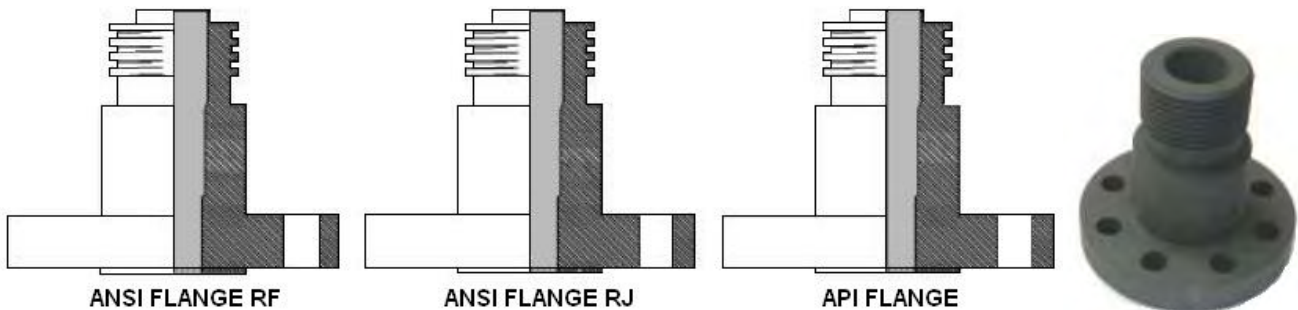


Direct Type Access Fittings



Model	Height	Weight
Flare-weld	13.335cm (5.25")	2.5 Kg (5.5 lb.)
Butt-weld	13.335cm (5.25")	2.5 Kg (5.5 lb.)
Socket-weld	15.875cm (6.25")	2.05 Kg (4.5 lb.)
NPT	15.875cm (6.25")	2.05 Kg (4.5 lb.)

Flanged Type Access Fittings

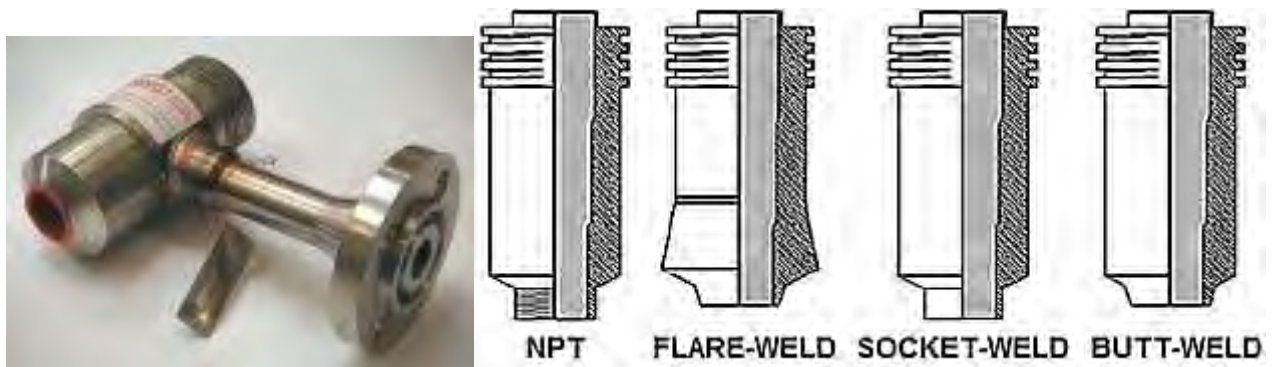


Flange Size	Height	Weight
150	13.335cm (5.25")	4.76 Kg (10.5 lb.)
300	13.335cm (5.25")	5.22 Kg (11.5 lb.)
4/600	15.875cm (6.25")	6.92 Kg (15.25 lb.)
9/1500	15.875cm (6.25")	13.95 Kg (30.75 lb.)
2.500	15.875cm (6.25")	18.15 Kg (40 lb.)

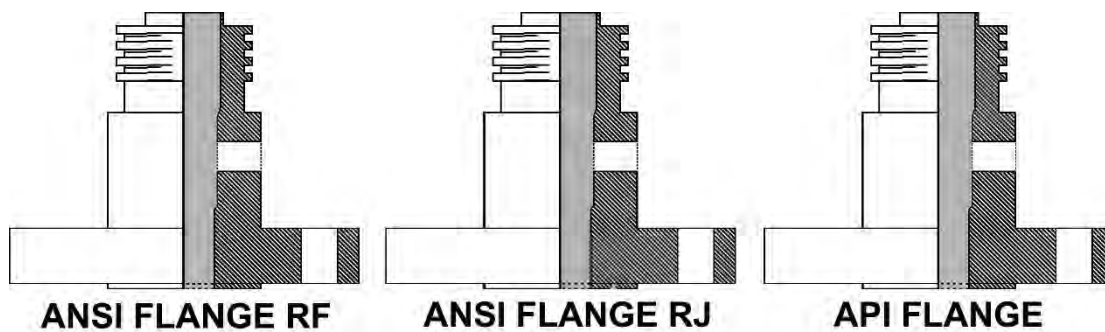
Temperature Rating: -28.9°C (-20°F) to +176°C (+350°F.)

Pressure Rating: 6000psi (410 bar) or as Flange Size

1.3 Triseal® Two Inch System Retrievable Tee Type Access Fittings



0.25 inch Tee		0.5 inch Tee		0.75 inch Tee		1 inch Tee	
Height (ins)	Weight (lbs)	Height (ins)	Weight (lbs)	Height (ins)	Weight (lbs)	Height (ins)	Weight (lbs)
5.25	4.5	6.25	5.75	6.25	6.5	7.25	7



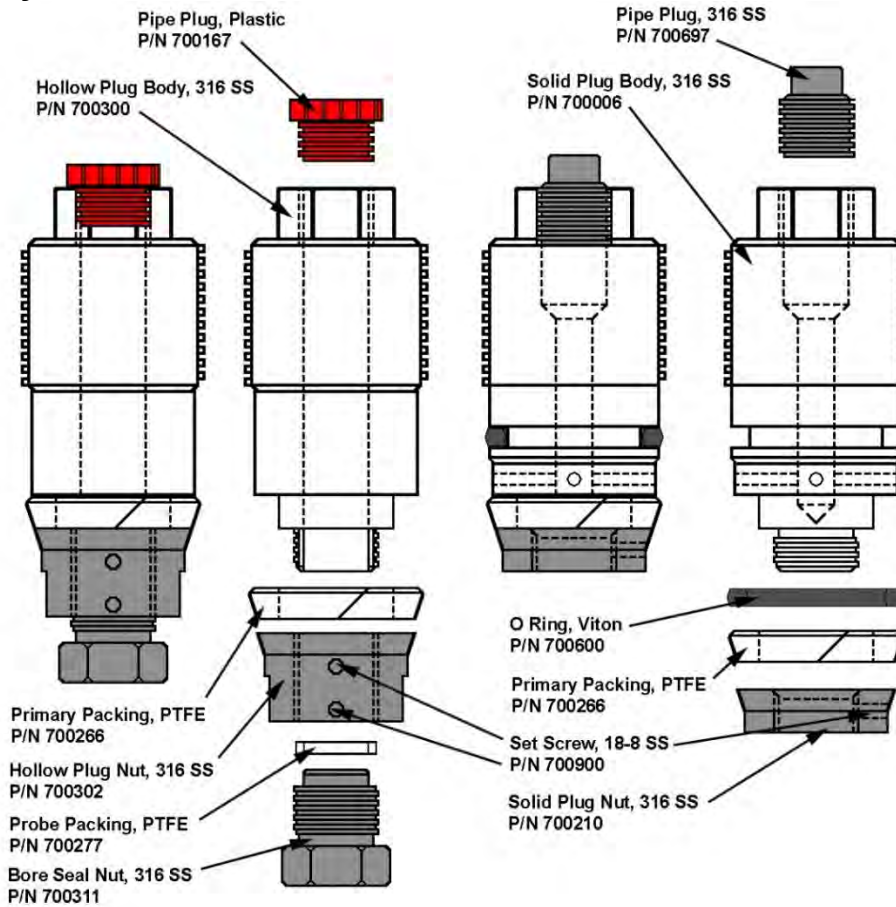
Model	Flange Size	0.25 inch Tee		0.5 inch Tee		0.75 inch Tee		1 inch Tee	
		Height (inch)	Weight (lbs)	Height (inch)	Weight (lbs)	Height (inch)	Weight (lbs)	Height (inch)	Weight (lbs)
ANSI Flange RF	150	5.25	9.75	7.25	10	7.25	10	7.25	10.5
	300	5.25	11.5	7.25	11.75	7.25	12	7.25	12
	4/600	6.25	12.75	7.25	13	7.25	13	7.25	13
	9/1500	6.25	25.75	8.25	26	8.25	26.25	8.25	26.5
	2500	6.25	40.2	8.25	40.5	8.25	40.4	8.25	40.75
ANSI Flange RJ	150	5.25	9.75	7.25	9.75	7.25	13	7.25	13
	300	5.25	11.5	7.25	10	7.25	17	7.25	17
	4/600	6.25	12.75	7.25	11.75	7.25	18	7.25	18
	9/1500	6.25	25.75	8.25	25.75	8.25	38	8.25	38
	2500	6.25	40.1	8.25	40.1	8.25	45.5	8.25	45.5
API Flange	2000#	6.25	15.75	7.25	18	7.25	18	7.25	18
	3/5000#	6.25	31	8.25	38	8.25	38	8.25	38
	10000#	6.25	40.5	8.25	45.5	8.25	45.5	8.25	45.5

1.4

Two Inch Access Fitting System Accessories



Plug Assembly



Standard Hollow Plug Assembly
 Product Code: 700952-217-1

Standard Solid Plug Assembly
 Product Code: 700120-111-1

Other plug material and seal options are available, the Product Code can be generated from the table below:

700952-2	700120-1	X	X	-	X
Hollow Plug	or	Solid Plug	Material	Plug Seals	Coating
		1. - 316 2. - 316L 3. - C276 4. - UNS S21800 5. - CS 6. - UNS S31803 7. - UNS N06625 8. - UNS N08825 9. - Ti A. - F44 B. - UNS S32750 C. - UNS S32760 D. - A105 E. - A350LF2 Z. - Other (Please Specify) Note: Option 4 has 316 S/S trim	0. - Not Required 1. - Viton O-Ring, PTFE Prim. Pkg 2. - Ethylene Propylene O-Ring, VESPEL Prim. Pkg 3. - KALREZ O-Ring, VESPEL Prim. Pkg 4. - No O-Ring, UNS S21800 Prim. Pkg 5. - HYDRIN O-Ring, PTFE Prim. Pkg 6. - Other (Please Specify) 7. - PTFE Probe Seal, PTFE Prim. Pkg - Hollow Plug Only 8. - AED HNBR O-Ring, (Please Specify), PTFE Prim. Pkg 9. - PEEK Probe Seal, PEEK Prim. Pkg - Hollow Plug Only A. - AF69/90 O-Ring, PTFE Prim. Pkg B. - Nitrile O-Ring, PEEK Prim. Pkg C. - FR 25/90 O-Ring, PTFE Prim. Pkg D. - HNBR Elast-O-Lion 101 (RGD) O-Ring, PEEK Prim. Pkg E. - KALREZ O-Ring, PTFE Prim. Pkg F. - FR 58/90 (Viton B) AED O-Ring, PTFE Prim. Pkg G. - Viton AED O-Ring, PEEK Prim. Pkg H. - AFTLAS O-Ring, PEEK Prim. Pkg I. - Viton AED O-Ring, PTFE Prim. Pkg J. - Ethylene Propylene (EDPM) O-Ring, PTFE Prim. Pkg K. - Nitrile O-Ring, PTFE Prim. Pkg L. - HNBR Elast-O-Lion 985 O-Ring, PEEK Prim. Pkg M. - VERMILION® FOUR O-Ring, PTFE Prim. Pkg Note: Hollow plug can only have options 0, 6, 7 or 9.		0. - No Coating 1. - Standard Anti-Gall Coating 2. - Other (Please Specify)

1.4

Two Inch Access Fitting System Accessories

Protective Covers

Description - Application	Product Code	Image	Description - Application	Product Code	Image
Cover With Plain Hole – Continuous Monitoring (ER / LPR Probe)	700732	<p>700732 2inch Access Fitting Electrical Resistance (ER) Probe</p>	Cover With Plain Hole Non-metallic – Continuous Monitoring (Er & LPR probes)	700435	<p>700435 2inch Access Fitting</p>
Cover without hole – Intermittent Monitoring (Coupons, bio probe) / Chemical Injection / Sampling / Sand probe	700734	<p>700734 2inch Access Fitting Coupon Holder</p>	Cover Without Hole Non-metallic – Intermittent Monitoring (Coupons, bio probe) / Chemical Injection / Sampling / Sand probe	700436	<p>700436 2inch Access Fitting</p>
Cover With 1/2" NPT Hole For Fixed Probe Adaptor – reduces dust / moisture ingress, Continuous Monitoring (ER / LPR Probe)	700732E	<p>700732E Fixed Probe Adaptor 2inch Access Fitting</p>	Special Cover – for use with hydrogen probes	700732B	<p>700732B 2inch Access Fitting Hydrogen Probe</p>
Pressure Retaining Cover With Bleed Valve – provides a secondary seal in case of leaks, with bleed valve to release pressure. For intermittent monitoring / injection / sampling	700480	<p>700480 Bleed Valve 2inch Access Fitting Coupon Holder</p>	Pressure Retaining Cover, Plain – provides a secondary seal in case of leaks	700480P	<p>700480P 2inch Access Fitting Coupon Holder</p>
Pressure Retaining Cover With 1/2" NPT Hole For Fixed Probe Adaptor – provides a secondary seal in case of leaks for continuous monitoring with ER / LPR Probes	700731	<p>700731 Fixed Probe Adaptor 2inch Access Fitting ER Probe</p>	Pressure Retaining Cover With Bleed Valve & Pressure Gauge – Provides a secondary seal in case of leaks with bleed valve to release pressure prior to removal and pressure gauge to show pressure inside cover. For intermittent monitoring / injection / sampling	700481	<p>700481 Pressure Gauge Bleed Valve 2inch Access Fitting Coupon Holder</p>
Pressure Retaining Cover With 1/2" NPT Hole For Fixed Probe Adaptor – provides a secondary seal in case of leaks for continuous monitoring with ER / LPR Probes	700482	<p>700482 Fixed Probe Adaptor 2inch Access Fitting ER Probe</p>	Pressure Retaining Cover With Bleed Valve, Pressure Gauge & 1/2" NPT Hole – Provides a secondary seal in case of leaks with bleed valve to release pressure prior to removal and pressure gauge to show pressure inside cover and 1/2" NPT hole for fixed probe adaptor for continuous monitoring with ER / LPR Probes.	700482	<p>700482 Pressure Gauge Bleed Valve 2inch Access Fitting ER Probe</p>

1.4





Two Inch Access Fitting System Accessories



Further options are available for the access fitting covers, please follow the below guide to generate the complete Product Code for the required cover.

Product Code	-	X	-	X	-	X
700XXX		Material 1. – 1022 CS 2. – 316 SS 3. – UNS S31803 4. – A105 / A350LF2 5. – TITANIUM 6. – A694 7. – A182-F44 8. – AISI4140 / EN19T / 708M40T 9. – UNS S32760 A. – POLYCARBONATE B. – NYLON C. – UNS N06625 D. – UNS N08825 Z. – Other (Please Specify)		O-Ring (Pressure Retaining Only) 0. – Not Required 1. – Viton O-Ring 2. – Ethylene Propylene O-Ring 3. – KALREZ O- Ring 4. – NOT USED 5. – HYDRIN O- Ring 6. – Other (Please Specify) 7. – NOT USED 8. – AED HNBR O- Ring, (Please Specify) 9. – NOT USED A. – AF69/90 O- Ring B. – Nitrile O- Ring C. – FR 25/90 O- Ring D. – HNBR Elast-O-Lion 101 (RGD) O- Ring E. – NOT USED F. – FR 58/90 (Viton B) AED O- Ring G. – NOT USED H. – AFLAS O- Ring I. – Viton AED O- Ring J. – NOT USED K. – NOT USED L. – HNBR Elast-O-Lion 985 O- Ring M. – VERMILION® FOUR O- Ring		Coating 0. – NO COATING 1. – Std. Phosphate Coating With Blue Overpaint 2. – Phosphate Coating Only 3. – Other (Please Specify) Note: Phosphate Coating is only suitable for carbon steel.

Service Equipment

Application	Description	Product Code	
Maintenance of threads in the Access Fitting Body	Thread Tap Assembly, M2 Steel	700111	
Maintenance of threads on the Solid and Hollow Plug Bodies	Thread Die Assembly, M2 Steel	700112	
Removal of rust, scale etc. from the plug seat in the Access Fitting Body	Seat Reamer	700113	
For the removal of debris from the Access Fitting Body threads	Thread Brush	700114	
Maintenance of the 3 inch ACME thread on the Access Fitting Body	3 inch Acme Thread Cleaner	700115	-
Multi-purpose Grease	Lithium Grease	700116	-
For use in light hydrocarbon liquids	Silicone Grease	700117	-
For cleaning sand and debris from the Access Fitting Body Threads before installation of Solid and Hollow Plugs under pressure	Cleaning Tube Assembly	700118	-



1.5 Two Inch System Retriever Unit

The Retriever and Service Valve permit safe and simple removal of the full range of retrievable monitoring probes, coupon holders and chemical injection whilst the pipeline or vessel is under operating pressure.

For ease of reference, the item to be retrieved is herein after referred to as the “device”.

The retrieval tool has been designed to operate on the principal of balancing the pressure acting on the internal surfaces of the tool so that no resultant force is applied to the retriever moving parts whilst the equipment is being operated.



Retriever tools are sized to accommodate different pipeline pressures and probe/device lengths. All the materials of construction comply with the requirements of NACE standard MR-01-75 (92).

Retriever and Service Valve Kits include a heavy duty carrying case, maintenance tools and spare seals. A comprehensive Operation and Maintenance Manual is also included. Seal and Repair Kits are available separately at a moderate cost.

Operator training is minimal and is easily achieved once the basic principles of operation are understood. Training courses are available both on-site and off-site as required.

250 bar and 400 bar retrievers are available, these both feature stainless steel outer barrels.

A light weight retriever option is also available. This features an Aluminium outer barrel and is rated at 100 bar.



Figure A



1.5 Two Inch System Retriever Unit

How To Order

- 1) Retrievers are selected by the length of stroke required. The stroke is the distance the Plug Assembly and the device must travel from within the Access Fitting body, through the Service Valve allowing the valve to be closed.
- 2) From Figure A (page 1) and Table A (below) determine the Retriever stroke length required to retrieve the device. Please note that the maximum retrieval length varies depending upon whether the retriever is being used with a solid plug or a hollow plug. Also when calculating for injection / sampling / sand probe systems ensure to add the length of the associated nut to the quill / probe (device) length.

Table A Nominal Stroke	Stroke (mm)	Max. Length (mm)		Total Length (mm)		Removal Clearance	Product Code		
		With Solid Plug	With Hollow Plug	Collapsed	Extended		100 Bar	250 Bar	400 Bar
12"	305	76	51	496	804	1058		700631	
14"	355	127	102	546	905	1159		700599	
18"	457	228	203	648	1108	1362	700501	700601	700801
20"	508	278	254	699	1210	1464		700632	
25"	630	406	381	826	1463	1713	700502	700602	700802
32"	830	533	508	1003	1818	2069	700503	700603	700803
37"	940	711	685	1130	2073	2323	700504	700604	700804
40"	1016	838	813	1207	2226	2476		700597	
42"	1062	888	863	1257	2328	2578		700598	
49"	1224	1016	990	1435	2683	2937	700505	700605	700805
52"	1321	1091	1065	1511	2835	2957		700585	
62"	1530	1320	1295	1740	3292	3546	700506	700606	700806

These maximum lengths are only valid with 5.25 inch Flare-weld and Butt-weld Access Fittings. For maximum probe length with other Access Fitting configurations please contact our sales office.

Spare Parts & Tools			
Product Code	Description	Product Code	Description
700084	250bar Retriever Seal Kit	700674	Diverter Hose Assembly – 3M
700085	250bar Retriever Repair Kit	700676	Diverter Hose Assembly – 8M
700084 [400bar]	400 bar Retriever Seal Kit	700677	Diverter Hose Assembly – 15M
700085 [400bar]	400 bar Retriever Repair Kit	700678	Surge Tube Assembly
700047	Safety Hammer	700752	Field Operators Tool Kit
700066	Head Bar	700060	Retainer Clamp

Note: Please order 250bar seal kit and repair kit for use on 100 bar retriever.

Please see the service valve datasheet for detail on the service valves and their associated Product Codes.



1.6 Two Inch System Service Valve Kits

Service valves are required to connect the retriever tool to the Access Fitting to be serviced; its primary function is to contain the line pressure whilst the monitoring probe/injection device is replaced or removed.

Designed for ease of use in connection with a Retriever Tool, Service Valves are ball type valves with full opening port and feature two Bleed Valves which permit easier operation at high pressures. One valve allows pressure equalisation on both sides of the valve, thus allowing the valve to be opened without torque problems. The second valve allows pressure or product to be bled to atmosphere or for product sampling.

All service valves comply with NACE MR-0175 (92 Rev) requirements for materials suitable for use in sour service conditions.



Service Valves are available rated for 250 bar (3600psi) and 400 bar (5700psi). Service Valves rated 250 bar are extremely compact with a total weight of 23 kilos.

How to order:

- Service Valve Kit – 250 Bar – Part No 700187
- Service Valve Kit – 400 Bar – Part No 700191

Spare Parts		
Description	Pressure Rating	Product Code
Service Valve Repair Kit	250 Bar (3600 psi)	700051
Service Valve Seal Kit	250 Bar (3600psi)	700052
Service Valve Repair Kit	400 Bar (5700psi)	700053
Service Valve Seal Kit	400 Bar (5700psi)	700054



1.7

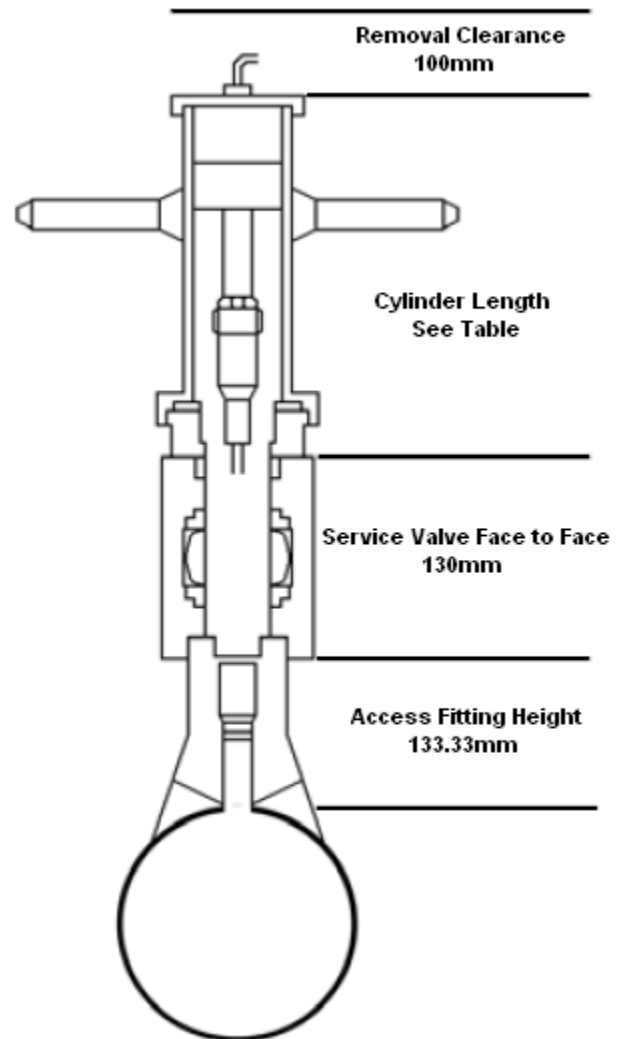
Two Inch System Model HPH Hydraulic Retriever and Service Valve Kits

The Model HPH Hydraulic Retriever Tool is a single cylinder retriever of fixed length which is equilibrated at the same pressure as the pipeline or vessel to be serviced. An internal piston may be moved up or down by changing the pressure in the upper barrel of the retriever. Pressure differential of a few PSI is sufficient to move the piston. Downward movement is obtained by pumping oil into the upper part of the retriever using a small portable pump; upward motion is achieved by returning oil to the oil tank. Internal safety devices are provided to prevent excessive pressure differentials from being developed across the piston.

A Socket Adaptor Assembly is attached to the Internal piston. A Pilot on this Adaptor mates the assembly to the standard Triseal® 2" System Solid or Hollow plug.

When the piston is moved to the lower part of the retriever it may be connected to the retriever barrel which is then turned to screw or unscrew the Plug Assembly from the Triseal® access fitting body.

Minimum clearance requirements, minimum weight and full compatibility with all generic access fittings are major features of the HPH Retriever tool.



Triseal ® is the Registered Trade name of RCSL Corrosion Monitoring

1.7

Two Inch System Model HPH Hydraulic Retriever and Service Valve Kits



HPH Retriever Ordering Information

How to Order:

1. Retriever size is determined by the length of piston movement required within the retriever cylinder. This is the distance of a plug assembly and probe must travel from within the access fitting body and through the service valve allowing the valve to be closed.
2. Determine the maximum working pressure required
3. Determine the maximum probe length required to be retrieved
4. From the tables below select the most suitable kit Product Code

250 Bar Maximum Working Pressure

Retriever Kit Product Code	700834	700835	700836	700837	700838	700839	700840	700841	700842
Maximum Probe Length (mm)	130	200	300	400	500	600	700	800	900
Removal Clearance (mm)	840	945	1096	1245	1395	1545	1695	1845	1995
Retrieval Cylinder Length (mm)	510	615	765	915	1065	1215	1365	1515	1665
Retriever Weight (kg)	15.75	17.2	18.7	20.5	22	23.7	25.6	27.7	29.85
Retriever Kit Weight (kg)	46.5	48	49.5	51.5	53.5	55.5	58	60.5	64

450 Bar Maximum Working Pressure

Retriever Kit Product Code	701100	701101	701102	701103	701104	701105	701106	701107	701108
Maximum Probe Length (mm)	130	200	300	400	500	600	700	800	900
Removal Clearance (mm)	840	945	1096	1245	1395	1545	1695	1845	1995
Retrieval Cylinder Length (mm)	510	615	765	915	1065	1215	1365	1515	1665
Retriever Weight (kg)	20.75	22.2	23.7	25.5	27	28.7	31.6	32.7	39.85
Retriever Kit Weight (kg)	54.5	56	57.5	59.5	61.5	63.5	64	68.5	72

Spare Parts

250 Bar	
Description	Product Code
Retriever Seal Kit	700868
Service Valve Seal Kit	700877
Hydraulic Pump	700842
Three Way Valve	700844

450 Bar	
Description	Product Code
Retriever Seal Kit	701109
Service Valve Seal Kit	701110
Hydraulic Pump	701111
Three Way Valve	701112

1.8
Two Inch System Hot Tap Tool
Product Code: HA102102



The hot tap tool provides a safe and reliable method of hot tapping high pressure access fittings on pressurised pipelines or vessels.

A special cutter assembly is installed in the access fitting, previously welded onto the pipe. To tap a hole through the pipe wall, a service valve is installed on the fitting. This allows the cutter fitting to be isolated, if necessary.

The hot tap tool is mounted on the service valve and mated to the cutter. The drive screw on the hot tap tool puts pressure on the cutter as the tool shaft is rotated to cut through the pipe wall.

After the hole is cut through the pipe wall, the tool is removed from the valve and the retrieval tool is then used to pull the cutter assembly and pipe plug from the fitting. Shavings and cuttings are removed using swabs or brushes.

The hot tap procedure may be expedited by use of an air operated drill motor to turn the cutter shaft. Safety is enhanced in the assembly because the cutter is isolated from the atmosphere by a service valve.



At any time in the procedure, the cutter drive shaft may be retracted and the fitting and its contents isolated from the atmosphere by closing the service valve.

The hot tap tool is designed to be used with 5.25" Flare-weld or Butt-weld access fitting systems.

A compatible service valve is required for use with the hot tap kit, the product code is HA101250

Hot Tap Kit HA102102 Components & Spare Parts			
Description	Product Code	Description	Product Code
Bore Reamer Assembly	HA102004	3/16" Allen Wrench	PR6352
HP Thread Chaser with Adaptor	HA102016	Spanner Wrench	PR6356
Seat Reaming Assembly	HA102018	1 1/8" Hex Socket	PR6433
Weld and Seal Test Assy	HA102017	Snap Ring Pliers (internal)	PR6479
Cutter Assembly - HP 5.25 Nipple	HA102015	Seal Insertion Ring	PR6480
HP Cutter Test for CT Cutter Test Assy	HA102020	Brass Hammer	PR6358
Bushing Insertion Tool	PR6483	3/32" Allen Wrench	PR6478
Hot Tap and Extraction Tool Test Assy	HA102013	Snap Ring Pliers (external)	PR6484
Hot Tap Turning Handle	HA102007	Quick Coupling (female)	PR6477
Over shot for Cutter	HA102014	1/2" Drive, socket "T" Handle	PR6357
Adaptor for Tools	HA102001158	Case	PS5604A69
Magnetic Swab Assembly	HA102003	Seal Repair Kit	7213A

The above tools are furnished as standard equipment with each complete Hot Tap Tool Kit. In addition common tools such as 3/16" Punch, large Crescent Wrench and large screwdriver may be necessary.



1.9 Model 600 Retractable System Access Valve

The Model 600 Access Valve Assemblies are designed to allow access to pressurised areas without process shutdown, using the retractable system.

Versions are available for threaded or for flanged connection.

The assembly shown at right consists of:

1. Threadolet
2. TBE Nipple
3. Ball valve
4. 5" inter-joint nipple
5. Thread adaptor (if required)

NOTE: The 5" nipple is used as standard, and is suitable for all probe elements except coupon holding shields which require a 9" nipple.

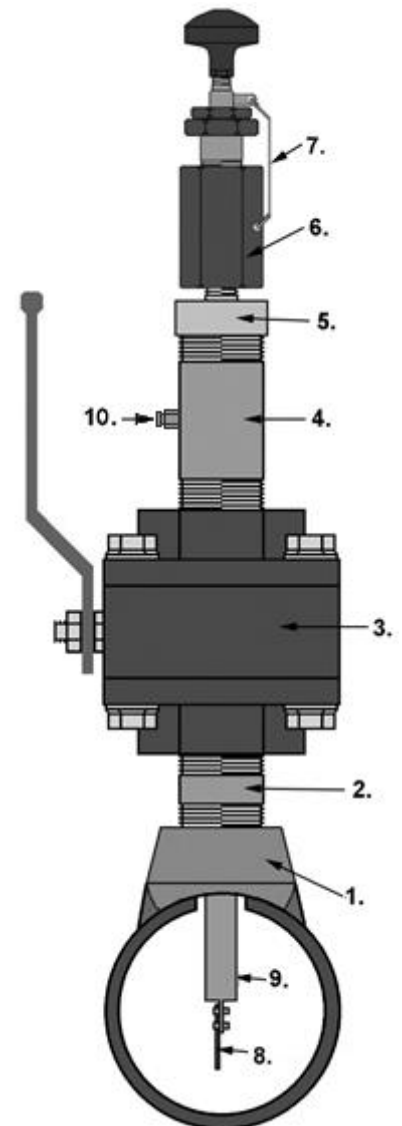
It is recommended that the inter-joint nipple has a bleed valve (10.), to allow release of pressure prior to removing the retractable device.

The full port valve can be supplied in whichever materials customer requires, as standard carbon steel body with 316 stainless steel trim would be supplied, with seals and materials of construction complying with NACE standard MR0175.

Flanged Outlets to connect with a pipeline or vessel mating flange are available.

The Model 600 Access Valve Assembly is suitable for use with a range of retractable products, including ER4**0 Electrical Resistance Probes, LP4**00 Linear Polarisation Resistance Probes, RT4000 Coupon Holder, IP4000 Injection as well as Hydrogen, Sand and Galvanic Probes.

The example shown at right features threaded connections and is portrayed being used with an RT4000 retractable coupon holder (items 6-9 are the coupon holder and coupon).





1.10 Model SR2159 “Easy Tool” Retractor For The Retractable System

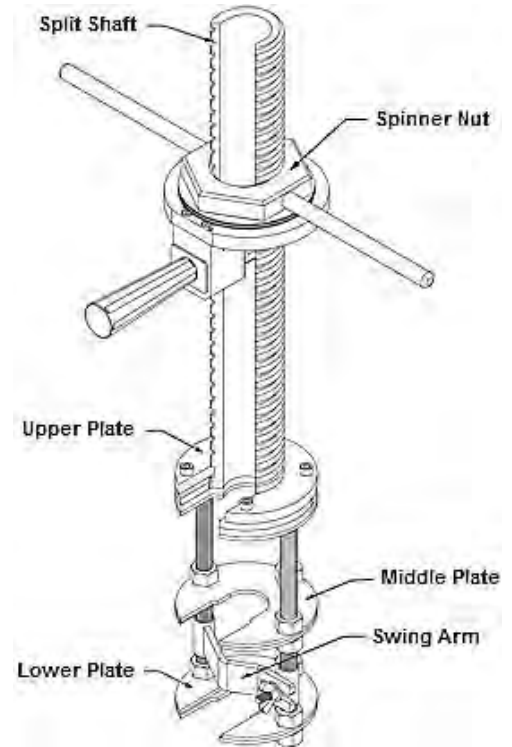
The Easy Tool Retracting System is designed for the safe insertion or retraction of 4000 series systems, including electrical resistance probes (ER), linear polarisation probes (LP), coupon insertion systems (RT), and chemical injection systems (IP).

RCSL Corrosion Monitoring Systems recommends that an Easy Tool is used when working on systems with pressures over 150 psi, to control the retraction of the 4000 series product.

The Easy Tool can insert/retract standard electrical resistance probes and coupon insertion systems up to 42".

With a weight of under 15 pounds and an overall length of 44", the Easy Tool is one of the lightest and shortest retracting tools available on the market.

The Easy Tool can be used with most standard packing glands.



Ordering Product Code Generation	
SR2159ER24	Insertion length of 24"
SR2159ER36	Insertion length of 36" (standard size)



SR2159 Easy Tool & Carry Case

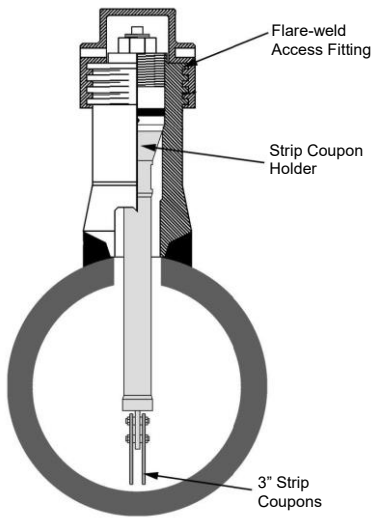
2.0 Corrosion Coupons, Coupon Holders & Accessories



Sub-Section No.

- 2.1 HC Series Coupon Holders
- 2.2 Coupons for the Two-inch System
- 2.3 Model RT6000 Flanged Coupon Holder
- 2.4 Model RT4000 Retractable Coupon Holder
- 2.5 Corrosion Coupons & Test Supplies For The Water Treatment Industry
- 2.6 Model 2277 Direct Mount Coupon Holder

2.1 Two-Inch System HC Series Retrievable Coupon Holders



HC Series Coupon Holders are used in conjunction with the TRISEAL® High Pressure Access Fitting Assembly.

The Coupon Holder is attached to the Solid Plug Assembly by means of a standardised left handed threaded connection and it also retains the primary packing.

The standard material for coupon holders is 316 SS, other alloys are available as required to meet the specific requirement.

Coupon holders are available in lengths from 2.50 inches to 36 inches. Longer lengths can be supplied subject to passing wake frequency calculations.

Coupon holders are supplied complete with a fitting kit for the applicable coupon.

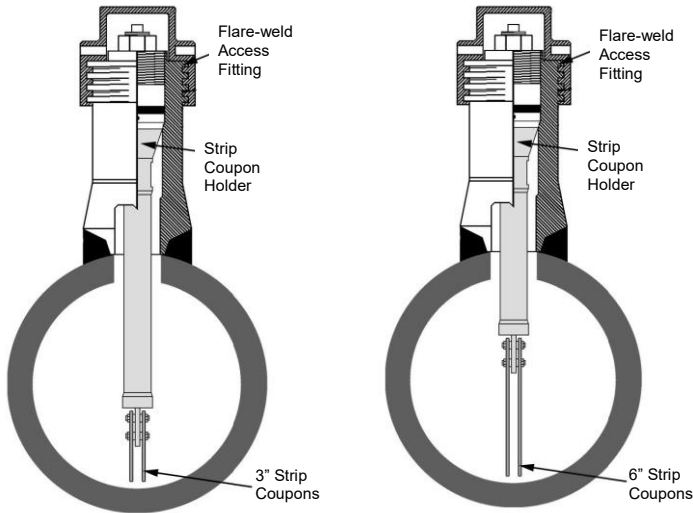
Corrosion Coupons can be supplied in most alloys, please see our separate data sheet for more details of the coupons.

High Pressure Coupon Holder Ordering Product Code Generation				
Product Code: HCXXX-XXXX				
HC	X	X	X	XXXX
	Coupon Type 1 – Strip coupon 2 – Ladder strip 3 – Flush Disc Fixed 4 – Flush Disc Adj. 5 – Multi Disc 6 – Single Pre-stressed 7 – Multi Pre-stressed 8 – Other / Special (Please Specify)	Construction 1 – Welded 2 – Non welded	Coupon Holder Material 1 – 316 SS 2 – Hastelloy C276 3 – UNS S31803 DSS 4 – UNS S32750 SDSS 5 – UNS S32760 SDSS 6 – UNS N06625 7 – UNS N08825 8 – 321 SS 9 – 410 SS A – UNS S32205 DSS Z – Other (Please Specify)	Coupon Holder Length 2" to 40" in 1/8" increments. Examples below: 2" = 0200 40" = 4000 2.625" = 0262 For Flush Disc Adjustable put start adjustment range (e.g 4 to 5inch range put 0400)
Coupon Holder Accessories / Spare Parts				
Description			Product Code	
Set Screw, 18-8 SS			700900	
Strip / Ladder Coupon Fitting Kit			700567	
Flush Disc Coupon Fitting Kit			700620	
Multiple Disc Coupon Insulating Rod (sold per inch)			305 003 0014	
Multiple Disc Coupon Washer			301 004 0023	
Multiple Disc Coupon Holder Nut			301 004 0024	



2.1 Two-Inch System HC Series Retrievable Coupon Holders

Strip Coupon Holder

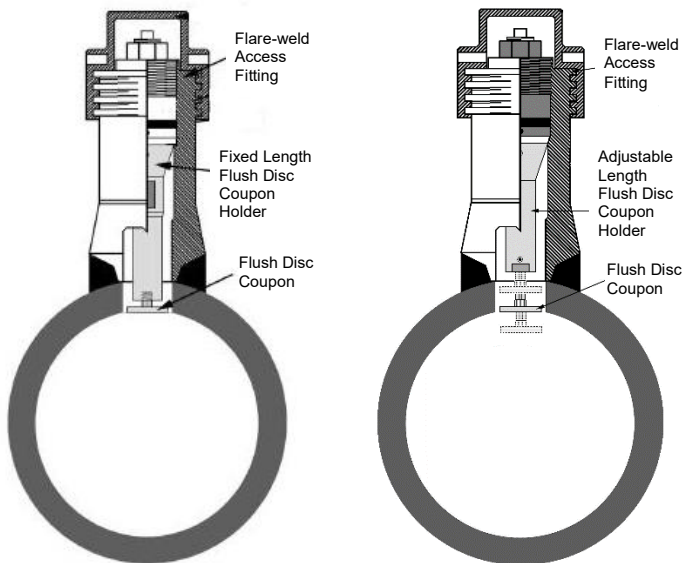


Strip coupons are designed for intrusive monitoring and are suitable for monitoring any kind of pipe at any location within the pipe.

Standard strip coupons are available in "3inch" (2.875" x 0.875" x 0.125" and 6inch (6" x 0.875" x 0.125") variants.

Both coupon sizes have 2x mounting holes at one end, the holes are pre-fitted with insulators in Nylon (standard) or PTFE (optional).

Flush Disc Coupon Holder



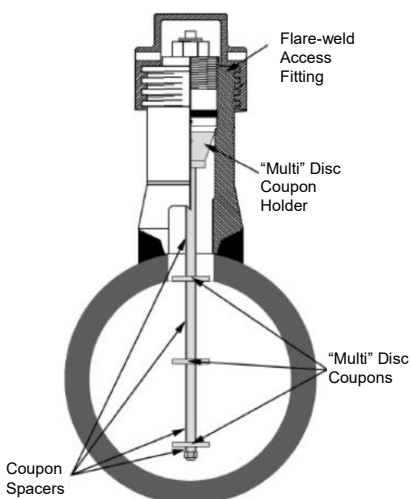
Flush disc coupon holders are primarily intended for use in areas where pigging operations prohibit the use of coupons that project into the process flow and are also suitable for use in pipelines carrying gas.

Additional advantages are the lack of requirement to orient the coupon relative to the flow direction and a greater exposed surface area at the pipe wall.

Flush disc coupon holders are available as fixed length and as adjustable length, to suit the specific application.

Flush disc coupons measure $\text{Ø}1.25"$ x 0.125" with a central countersunk hole

Multiple Disc Coupon Holder



Multiple Disc Coupon monitoring is suitable for pipes with I.D. greater than 6.00 inches.

Multiple Disc Monitoring permits coupons to be placed at a specific level in multi-phase or stratified flow.

The coupons are insulated from the holder rod by Nitrile O rings. Delrin or Nylon Spacers are used to provide insulation between coupons.

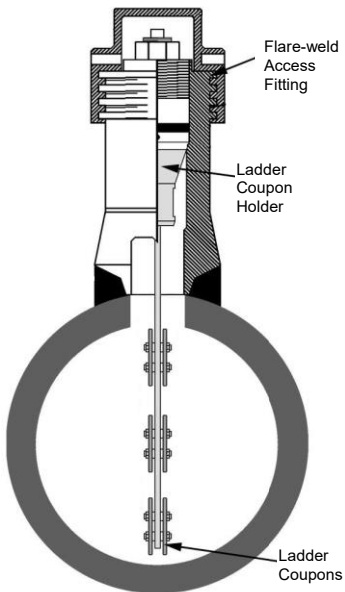
Materials of construction satisfy the requirements of NACE MR-01-75

"Multi" Disc Coupons measure $\text{Ø}1.25"$ x 0.125" with a central plain mounting hole



2.1 Two-Inch System HC Series Retrievable Coupon Holders

Ladder Strip Coupon Holder



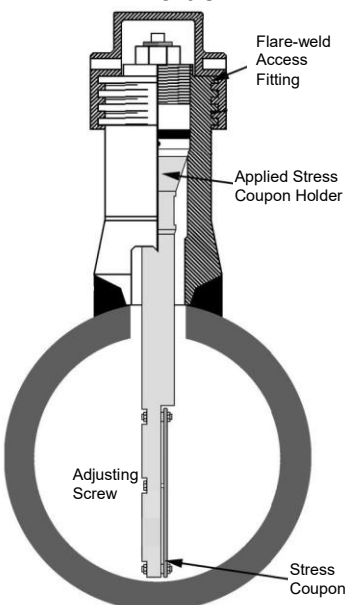
Ladder Strip Coupon Monitoring is suitable for pipes 8 inch O.D. and greater.

The coupon holder body is a single blade containing holes spaced along its length for mounting the coupons.

Ladder strip coupons measure 2" x 0.875" x 0.125", with 2x mounting holes.

A minimum coupon holder length of 26 cm (10.25") is required to mount three pairs of 2" ladder coupons.

Applied Stress Coupon Holder



Applied Stress Coupons are 152mm (6 inches) long, 22.3mm (0.875 inches) wide, 3.18mm (0.125 inches) thick. An insulated adjusting screw located on the coupon mid-point applies stress to the coupon.

Note: Applied stress coupons have been stamped on the end because this is the lowest stress area and cracking is not expected to be initiated by the identification mark.

Applied stress is determined from the number of adjusting screw turns or bending deflection. The coupons are first stressed and then installed in the line. The time required for cracks to develop is determined by pulling coupons at regular intervals, usually 24 hours to 30 days. Test duration will vary with the stress level applied to the coupon. The time to crack may then be used as a measure of stress corrosion resistance.

Test start time begins when stress is applied and the stressed coupon is exposed to the corrosive environment, whichever occurs later. The coupon is considered to have failed when cracks appear. The cracks may be detected by optical, mechanical or electrical means.

Cracking time is the elapsed time from test start until the appearance of cracks.

Formula for Applied Stress Coupons:

$$S = 6Et_y/H$$

Where:

S = maximum tensile stress

E = modulus of elasticity

t = thickness of coupon

y = maximum deflection

The formula is for longitudinal stress in the outer fibers of the coupon, below the elastic limit of the material. At stress above the elastic limit, but below the yield strength at 0.2% error results. The formula must not be used above the yield strength of the material.

NOTE: The formula is based on small deflections i.e. y/H is less than 0.1.

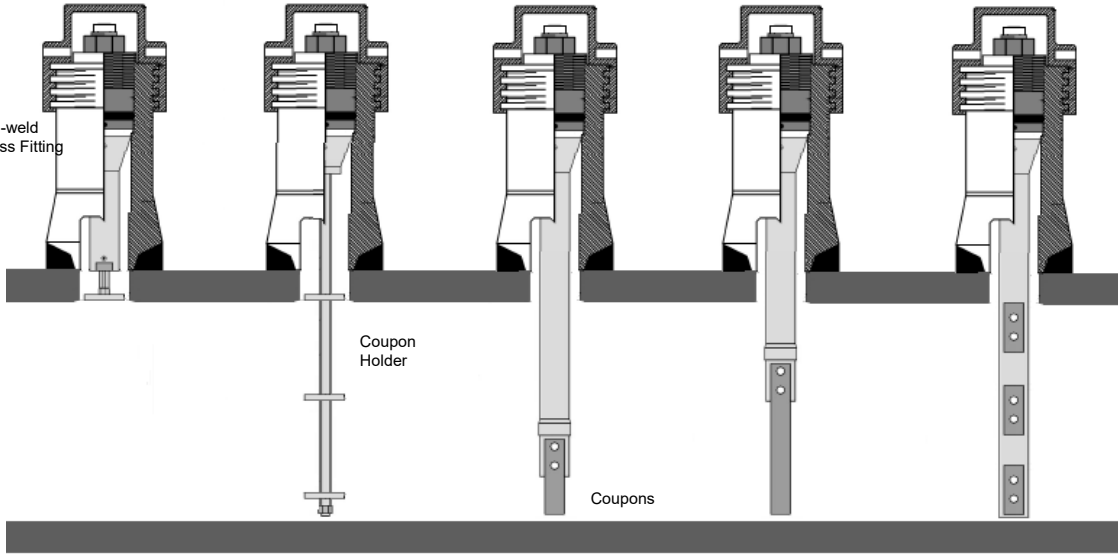
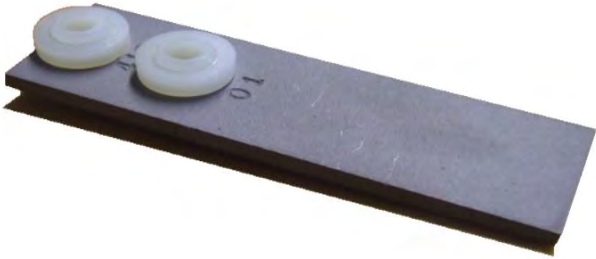
2.2

Coupons for the Two-Inch Retrievable Access Fitting System



Corrosion coupons are available in a range of alloys. As standard coupons are ground to shape with a blast surface finish.

Coupon ordering product codes are generated as XXX-“Alloy”
For example 111-1018 = 3inch strip coupon in C1018 carbon steel.

Standard Coupons				
				
FLUSH DISC	MULTIPLE DISC	3\"	6\"	2\"
<p>3 Inch Strip Coupons Product Code: 111-“Alloy”</p> <p>Dimensions: 73 x 22 x 3.2mm (2.875in x 0.875in x 0.125in)</p> <p>Two mounting holes at one end centred, holes are fitted with insulators (nylon as standard, other materials are available)</p> 		<p>6 Inch Strip Coupons Product Code: 169-“Alloy”</p> <p>Dimensions: 152 x 22 x 3.2mm (6in x 0.875in x 0.125in.)</p> <p>Two mounting holes at one end centred, holes are fitted with insulators (nylon as standard, other materials are available)</p>		
		<p>Ladder Strip Coupons, Product Code: 197-“Alloy”</p> <p>These are designed for simultaneous corrosion monitoring at top, middle and bottom positions in a pipeline of 8inches in diameter or larger.</p> <p>Dimensions 51 x 22 x 32mm (2in x 0.875in x 0.125 in)</p> <p>Two mounting holes centred, holes are fitted with insulators (nylon as standard, other materials are available)</p>		

2.2

Coupons for the Two-Inch Retrievable Access Fitting System



<p>Flush Disc Coupons Product Code: 142-“Alloy”</p> <p>Typically utilised where the coupons should not extend into the pipe or interfere with the media flow or pig passage, or for gas applications.</p> <p>Dimensions: Ø31.8 x 3.2mm (Ø1.25in x 0.125in)</p> <p>Central countersunk mounting hole. Insulators are available separately as part of the coupon fitting kit.</p>	<p>Multi-Disc Coupons Product Code: 141-“Alloy”</p> <p>These are utilised for stacked multiple phase monitoring when the line diameter is 6 inches or more. For pipelines less than 6 inches it is recommended to use single disc.</p> <p>Dimensions Ø31.8 x 3.2mm (Ø1.25in x 0.125in)</p> <p>Central mounting hole</p>
<p>Scale Coupons: Product Code: 185-“Alloy”</p> <p>These are the same size as the 3inch strip coupon, but have a series of holes of different sizes. Scale usually forms on cavities therefore it is likely to form on small sized holes, which holes are blocked by scale provide an indication of scale build-up.</p> <p>Dimensions: 73 x 22 x 3.2mm (2.875in x 0.875in x 0.125in)</p> <p>Two mounting holes at one end centred, holes are fitted with insulators (nylon as standard, other materials are available)</p> <div data-bbox="1145 712 1485 1160" style="float: right; text-align: right;"> <p>Flare-weld Access Fitting</p> <p>Strip Coupon Holder</p> <p>Scale Coupon</p> </div>	

Special Coupons	
<p>Applied Stress Coupons:</p> <p>These are used where sulphide stress corrosion cracking is a factor.</p> <p>Applied Stress Coupons are 152mm (6 inches) long, 22.3mm (0.875 inches) wide, 3.18mm (0.125 inches) thick. An insulated adjusting screw located on the coupon mid-point applies stress to the coupon.</p> <p>Note: Applied stress coupons have been stamped on the end because this is the lowest stress area and cracking is not expected to be initiated by the identification mark.</p>	<div data-bbox="1075 1294 1513 1890" style="text-align: right;"> <p>Flare-weld Access Fitting</p> <p>Applied Stress Coupon Holder</p> <p>Applied Stress Coupon</p> </div>
<p>Residual Stress Coupons:</p> <p>These are rectangular coupons similar to the 3 inch strip coupons, but are deformed to create residual stress. This type of coupon stimulates any corrosion effect due to the residual stress present in combination with an embrittling environment.</p>	
<p>Crevice Corrosion Coupons:</p> <p>These are made from the standard Disc Coupon, dimensions 31.8 dia. x 3.2mm (1.25 inch dia. x 0.125 inch) with a nylon disc on each side held in position by a stainless steel screw.</p>	

All pictures are illustrative only, the supplied product may differ



2.3 Model RT6000 Fixed Length Coupon Holder, Flanged Connection

The Model RT 6000 is a fixed-length, flange-mounted, coupon insertion system, suited to applications where coupon replacement can coincide with scheduled plant shut downs, thus avoiding the additional expense and complexity of access fittings and retrieval / retractor tools.

The RT6000 is ideally suited for use in high pressure and / or hazardous applications where threaded fittings are not available or not recommended.

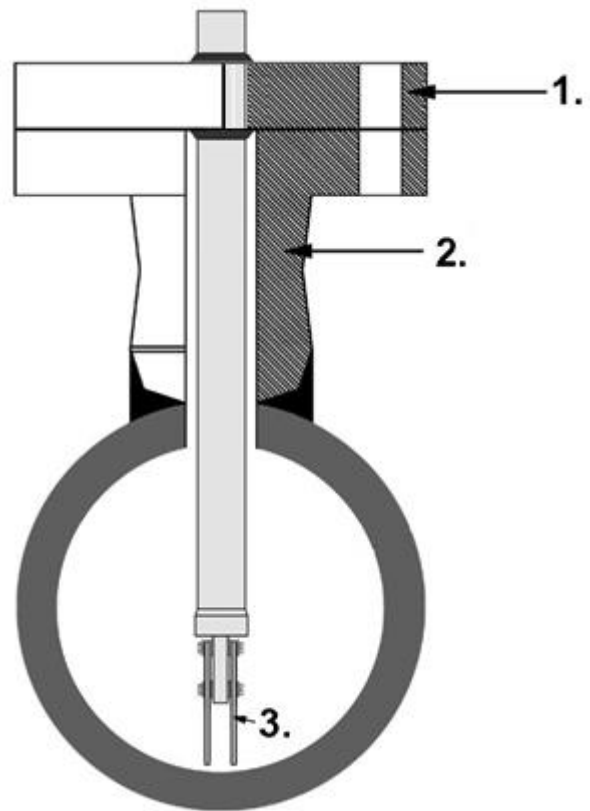
Insertion length (I.L.) is calculated to the end of the coupon and is based on a 1 inch total flange thickness.

Customers can specify any length required.

For standard coupons, the maximum insertion length is given in the chart below (the insertion length is fixed at the factory).

The system components are as follows:

1. RT6000 Coupon Holder
2. Mounting flange
3. Coupons



Specifications			
Coupon Holder Body	As required by customer	Order Length	I.L. (max)**
Temperature Rating	260°C / 500°F Teflon®	8"	6"
Pressure Rating	According to Flange Rating	12"	10"
Mounting	Flanged branch on pipe	18"	16"
		24"	22"

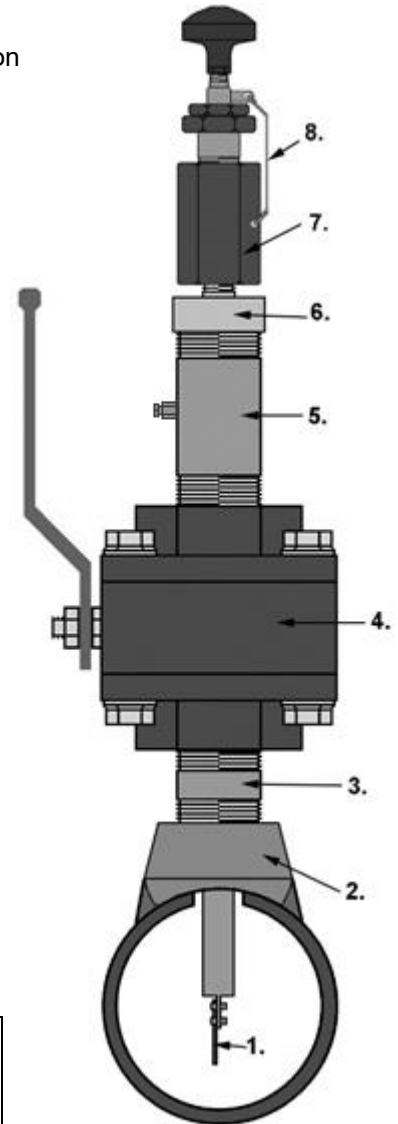
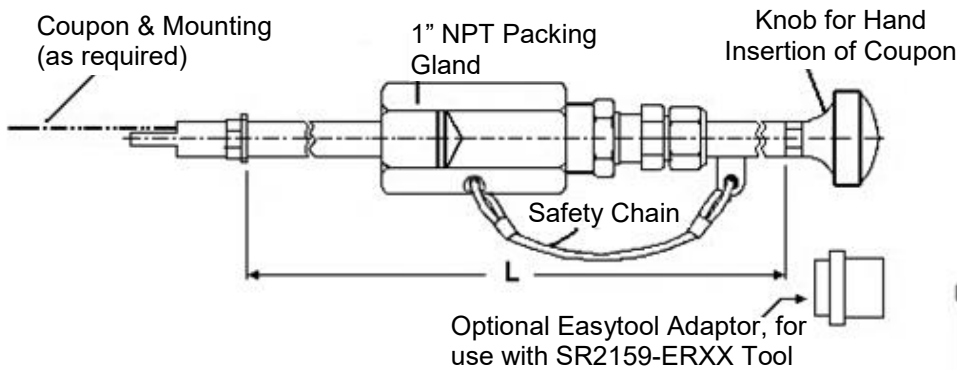
2.3
Model RT6000
Fixed Length Coupon Holder, Flanged Connection



Model RT6000 Ordering Product Code Generation						
RT6	Coupon Insertion System with Flange					
	Flange Size					
	1	1 inch Flange				
	2	1.5 inch Flange				
	3	2 inch Flange				
	4	3 inch Flange				
	5	4 inch Flange				
	6	0.5 inch Flange				
	7	6 inch Flange				
	Coupon Holder Material					
	22	316				
	44	C276				
	Coupon Option					
	10	Fits P/N C0100				
	30	Fits P/N C0118				
	50	Fits P/N C0111				
	60	Fits P/N C0220				
	Flange Pressure Rating					
	1	150 lb	Append with A for RF flanges Append with B for RTJ flanges API flanges can also be offered			
	2	300 lb				
	3	600 lb				
	5	1500 lb				
	6	900 lb				
	7	2500 lb				
	Length					
	8	06.00 inch max. insertion length				For lengths other than standard please insert the actual length in inches
	12	10.00 inch max. insertion length				
	18	16.00 inch max. insertion length				
	24	22.00 inch max. insertion length				
	36	34.00 inch max. insertion length				
RT6	2	22	50	1A	12	Example of RT6000 Ordering Product Code



2.4 Model RT4000 Retractable Coupon Holder With Packing Gland



Pictures are for illustrative purposes only, other mounting options are available

Model RT4000 coupon insertion system is a retractable unit commonly used in field and plant applications.

A specially designed packing gland is used to insert or retract a coupon from a pressurised system without a process shutdown.

The insertion system is designed to mount onto a 1" piping system, but can easily be adapted to fit your specific requirements.

The system consists of an insertion rod with a coupon adapter, and a packing gland. A safety chain and safety nut are also provided to prevent blowout. The insertion length (I.L.) is adjustable up to the maximum shown below.

Standard packing material in the packing gland is Teflon®, however, Grafoil packing can be provided for high temperature applications.

Coupon holders are available in various lengths and to suit various coupons, please see page 2 for ordering information.

Key	
1 – Coupon (strip type shown)	5 – TBE Pipe Nipple (usually fitted with bleed valve)
2 – Thredo-let (flanged connection is available)	6 – Thread adaptor (if required)
3 – TBE Pipe Nipple	7 – Packing gland
4 – Full Bore Ball Valve (flanged connection is available)	8 – Safety chain
Items 1-6 are supplied separately from the RT4000	

Specifications				
Standard Material	316 Stainless Steel*		Order Length	I.L. (max)***
Temperature Rating	260°C / 500°F Teflon®		24"	18.54"
Temperature Rating	454°C / 850°F Grafoil®		30"	24.54"
Pressure Rating	2000 PSI / 138 Barg**		36"	30.54"
Mounting	Minimum 1" Full Bore Valve		42"	36.54"

* Other material options are available

** Easy Tool (Product Code: SR2159-ERXX) is recommended for insertion or retraction in systems with pressure over 150 psi

*** The insertion length (I.L.) shown here is based on a standard 3" strip coupon and may vary for other coupons depending on the coupon length and hole location(s)

2.4 Model RT4000 Retractable Coupon Holder With Packing Gland

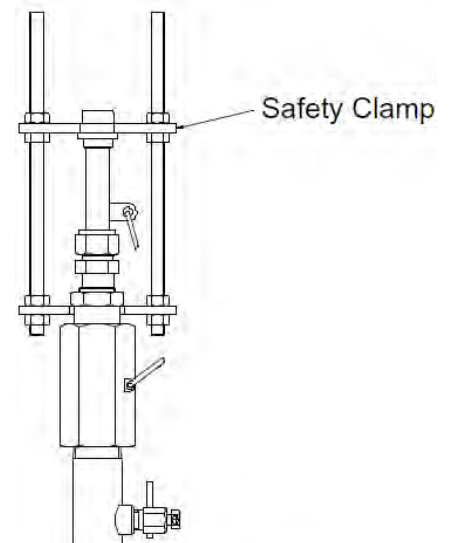


Model RT4000 Ordering Product Code Generation				
RT45	Retractable Coupon Insertion System 1 inch Female NPT, Packing Gland with Teflon®			
RT75	Retractable Coupon Insertion System 1 inch Female NPT, Packing Gland with Grafoil®			
RT00	Retractable Coupon Insertion System Replacement Insertion Rod			
Insertion Rod and Mounting Material				
	20	316 (when ordering only Insertion Rod – RT00)		
	22	316		
	40	C276 (when ordering only Insertion Rod – RT00)		
	44	C276		
Coupon Options				
	010	Fits P/N CO100		
	030	Fits P/N CO118		
	040	Fits P/N ES200 (Cylindrical Coupons)		
	050	Fits P/N CO111		
	060	Fits P/N CO220		
Length				
	24	18.54 inch max. insertion length		
	30	24.54 inch max. insertion length		
	36	30.54 inch max. insertion length		
	42	36.54 inch max. insertion length		
Coupon Adapter and Insulators				
	1	Coupon adapter same material as rod, Teflon® insulators.		
	2	Teflon® coupon adaptor, Teflon® insulators.		
	3	Coupon adapter same material as rod, ceramic insulators.		
	4	Coupon adapter same material as rod, nylon insulators.		
	5	Nylon coupon adaptor, nylon insulators.		
	6	Coupon adapter same material as rod, no insulators.		
RT45	22	30	24	1
Example of RT4000 Ordering Product Code				

For alloys, sizes, or other special requirements not listed, please contact our sales department.

Safety clamps are available separately, these provide additional support to the packing gland and safety chain to control the positioning of the coupons within the pipe.

Safety Clamp Assembly Product Codes:	
PS5463141XX	Replace XX with Length, e.g. PS546314124
PR5637158	Easy Tool / Safety Clamp Adaptor



2.5

Corrosion Test Supplies for the Water Treatment Industry



Accurate monitoring of corrosion rates in any environment is critical when viewed in terms of the maintenance and repair costs associated with corrosion and material failure. Test coupons can provide an inexpensive means of effectively monitoring corrosion levels in a system. By observing the mils-per-year corrosion rate of an exposed coupon, valuable information can be provided regarding the material's life expectancy.

RCSL Corrosion Monitoring provides the water treatment industry with a wide assortment of corrosion test supplies. We specialise in expeditious order processing of test coupons made according to your needs for material, size, shape and finish.

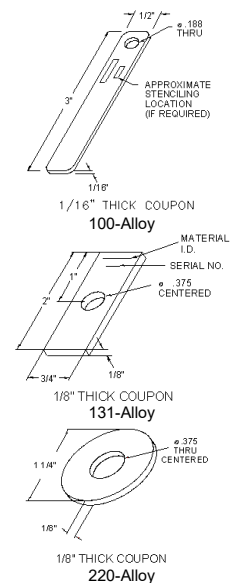
Coupons can be stencilled with alloy and sequence numbers for proper identification and pre-weighed and measured to help assure the integrity of your test data.

Mill test reports, identifying element compositions of materials used, can be provided for coupons if required, please advise this when ordering.

Coupon Product Codes are 3 digits and then the required alloy, for example 100-C1010.

Standard Water Treating Coupons*

Product Code	Coupon Dimensions	Mounting Hole Detail		Coupon Approx. Area (in ²)
100-Alloy	1/2" x 3" x 1/16"	3/16"	1/4" fr.end	3.38
101-Alloy	1" x 2" x 1/16"	3/16"	1/4" fr.end	4.32
102-Alloy	1/2" x 3" x 1/16"	9/64"	1/8" fr.end	3.41
103-Alloy	1/2" x 3" x 1/16"	1/4"	1/4" fr.end	3.34
104-Alloy	1/2" x 3" x 1/16"	(2) 1/4"	1/2" fr.end	3.24
105-Alloy	1/2" x 3" x 1/16"	3/16"	1/2" fr.end	3.38
106-Alloy	1/2" x 3" x 1/16"	1/4"	1/2" fr.end	3.34
115-Alloy	1/2" x 3" x 1/16"	1/4"	1/4" fr.end	3.34
117-Alloy	3/8" x 3" x 1/16"	9/64"	1/8" fr.end	2.64
118-Alloy	1/2" x 3" x 1/16"	(2) 1/4"	1/4" and 3/4" end	3.24
120-Alloy	3/8" x 3" x 1/16"	(2) 1/4"	1/4" and 3/4" end	2.48
131-Alloy	2" x 3/4" x 1/8"	3/8"	Central	3.47
146-Alloy	2" x 1" x 1/16"	53/200"	Central	4.26
220-Alloy	Ø1 1/4" x 1/8"	3/8"	Central	2.72



Standard Pipe Plug Assemblies

Product Code	Carbon Steel Or PVC Plug*	3" (std) Stem*	Compatible With Product Code(s)
2077NA	3/4" NPT	Nylon	102-Alloy, 117-Alloy
2079NA	1" NPT	Nylon	102-Alloy, 117-Alloy
2077TA	3/4" NPT	Teflon®	102-Alloy, 117-Alloy
2079TA	1" NPT	Teflon®	102-Alloy, 117-Alloy
2078NA	3/4" NPT	Nylon	100-Alloy, 103-Alloy, 115-Alloy
2081NA	1" NPT	Nylon	100-Alloy, 103-Alloy, 115-Alloy
2078TA	3/4" NPT	Teflon®	100-Alloy, 103-Alloy, 115-Alloy
2081TA	1" NPT	Teflon®	100-Alloy, 103-Alloy, 115-Alloy
2087NA	3/4" NPT	Nylon	118-Alloy, 120-Alloy
2088NA	1" NPT	Nylon	118-Alloy, 120-Alloy
2087TA	3/4" NPT	Teflon®	118-Alloy, 120-Alloy
2088TA	1" NPT	Teflon®	118-Alloy, 120-Alloy
2084NA	3/4" NPT	Nylon	105-Alloy, 106-Alloy
2075NA	1" NPT	Nylon	105-Alloy, 106-Alloy
2084TA	3/4" NPT	Teflon®	105-Alloy, 106-Alloy
2075TA	1" NPT	Teflon®	105-Alloy, 106-Alloy
2092NA	1/2" NPT	Nylon	100-Alloy, 103-Alloy, 115-Alloy

*A variety of plug sizes and stem lengths are available.

2.5

Corrosion Test Supplies for the Water Treatment Industry



Cylindrical Coupons (C1018 STD)

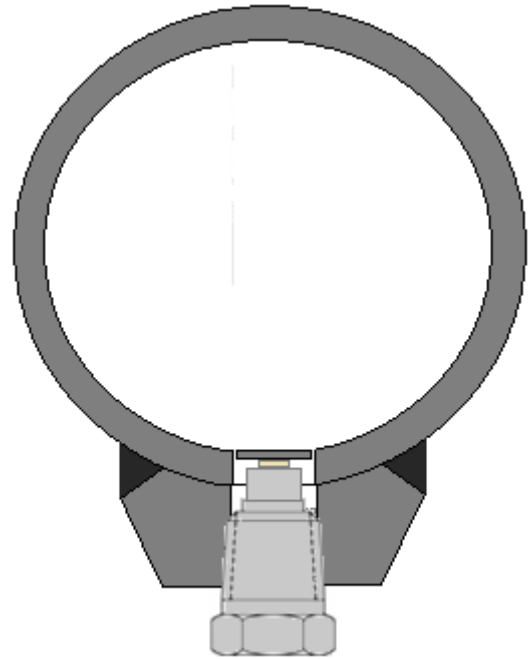
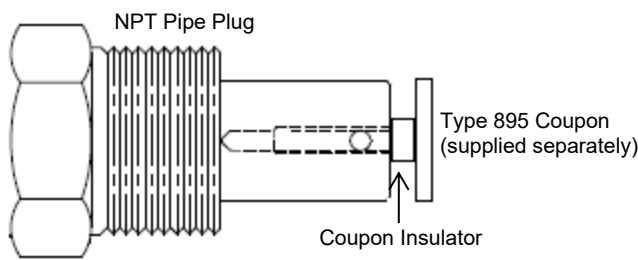
P/N	SIZE	THREAD	SLOT
ES200	1/4" x 2.5"	1/4"-20 x 3/8"	1/16"
ES201 1/4" x 2"	1/4" x 2"	1/4"-20 x 3/8"	1/16"
ES202	1/4" x 3"	1/4"-20 x 3/8"	1/16"
ES204	1/4" x 1 1/2"	1/4"-20 x 3/8"	1/16"

For a full range of alloys available, please contact our sales department.

Coupons can be furnished with a variety of finishes depending on your particular application. Some of the typical finishes are defined below:

- **Mill** – finish as produced from mill.
- **Glass Bead** – blasted with fine glass beads to remove mill scale.
- **120 Grit** – fine finish using a 120 grit belt and commonly used in corrosion tests, such as pitting studies, where smooth surface finish is desired. Finishes up to 800 grit (extremely fine) can be provided by using belt sanders.
- **Double Disc Ground** – extra fine finish using an abrasive disc that leaves minimal residual grit. Excellent for studies where surface finish is critical. Capable of producing 16-32 RMS finishes on common steels and 8 RMS on carbide steels.

2.6 Model 2277 Fixed Length Disc Coupon Insertion System



The Model 2277 is a fixed-length, thredolet-mounted, disc coupon insertion system.

Process shutdown or process isolation is required for installation and inspection. The coupon holder assembly consists of an insertion rod with integral coupon holder and Male NPT pipe plug.

Insertion length (I.L.) is calculated to the end of the coupon in this case. Customers can specify any length required.

Rose Corrosion will need to know the required length from the base of the pipe plug to the end of the coupon. This can be calculated by RCSL if required.

Materials of construction can be specified by customer. Standard body material is 316/316L S/S.

The Type 895 coupon is supplied separately. The required Type 895 disc coupon dimensions are $\text{Ø}3\frac{1}{8}\text{inch} \times \frac{1}{8}\text{inch}$. Coupon material can be specified by client.

Example coupon ordering Product Code: 895-1018, for Type 895 flush disc coupon in 1018 CS. The minimum coupon ordering quantity is 10pcs.

Model 2277 Ordering Product Code Generation				
Product Code: 2277-X-X-X-XXXX				
2277	X	X	X	XXXX
	Pipe Plug Size 1 – ¾" NPT 2 – 1" NPT 3 – 1½" NPT 4 – 2" NPT Z – Other	Body Material 1 – 316 SS 2 – Hastelloy C276 3 – UNS S31803 DSS 4 – UNS S32750 SDSS 5 – UNS S32760 SDSS 6 – UNS N06625 7 – UNS N08825 8 – 321 SS 9 – 410 SS A – UNS S32205 DSS Z – Other (Please Specify)	Coupon Insulator Material 1 – Nylon 2 – PTFE Z – Other (Please Specify)	Order Length 2" to 40" in 1/8" increments. Examples below: 2" = 0200 40" = 4000 2.625" = 0262

3.0 Electrical Resistance (ER) Corrosion Probes



Sub-Section No.

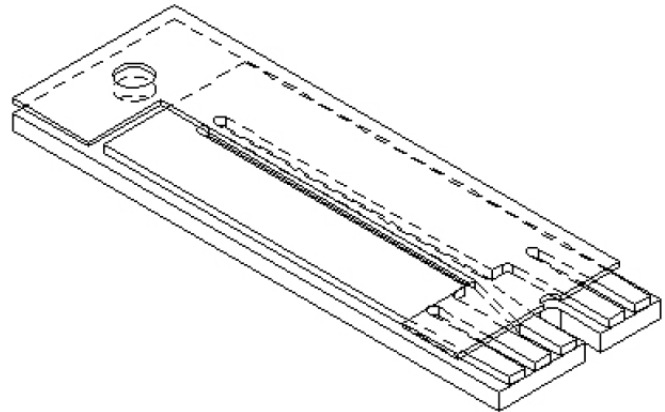
- 3.1 Model ER0250 Probe For Atmospheric Service
- 3.2 Model ER0500 Probe For Buried Service
- 3.3 Model ER1000 Direct Mount Probe, Loop Element
- 3.4 Model ER2000 Direct Mount Probe, Loop Element
- 3.5 Model ER2100 Direct Mount Probe, Cylindrical Element
- 3.6 Model ER3000 Direct Mount Probe, Adjustable Length. Loop Element
- 3.7 Model ER3100 Direct Mount Probe, Adjustable Length. Cylindrical Element
- 3.8 Model ER3110 Direct Mount Probe, Adjustable Length. Cylindrical Element, Non-Metallic Body
- 3.9 Model ER3200 Direct Mount Probe, Adjustable Length. Flush Element
- 3.10 Model ER4000 Retractable Probe, Loop Element
- 3.11 Model ER4100 Retractable Probe, Cylindrical Element
- 3.12 Model ER4200 Retractable Probe, Small Flush Element
- 3.13 Model ER4210 Retractable Probe, Large Flush Element
- 3.14 Model ER4300 Retractable Probe, Spiral Loop Element
- 3.15 Model ER6000 Flanged Probe, Loop Element
- 3.16 Model ER6100 Flanged Probe, Cylindrical Element
- 3.17 Model ER6200 Flanged Probe, Flush Element
- 3.18 Model ER7000 Retrievable Probe, Loop Element
- 3.19 Model ER7100 Retrievable Probe, Cylindrical Element
- 3.20 Model ER7200 Retrievable Probe, Small Flush Element
- 3.21 Model ER7210 Retrievable Probe, Large Flush Element
- 3.22 Model ER7220 Retrievable Probe, Large Flush Element, Adjustable Length
- 3.23 Model ER7230 Retrievable Probe, Large Flush Strip Element
- 3.24 Model ER7300 Retrievable Probe, Spiral Loop Element

3.1

Model ER0250 Electrical Resistance Probe For Atmospheric Service



Model ER0250 is a probe used to monitor corrosion in atmospheric environments. The probe consists of an element which is mounted onto an epoxy board. One side of the element is exposed to the corrosive environment while the other side is covered, acting as a reference element. The ER0250 connects to a special cable that allows it to be used with electrical resistance probe instrumentation. Replacement elements may be ordered without cable. The probe comes with a 3/16" hole for easy mounting.



Specifications	
Probe Body	Epoxy
Temperature Rating	121°C / 250°F
Standard Element sizes	4 or 8 mils (useful range is half of thickness)

Model ER0250 Ordering Product Code Generation				
AP21	Atmospheric Probe			
	Element Thickness			
	4	4 mil thickness (2 mil useful probe life)		
	8	8 mil thickness (4 mil useful probe life)		
		Element Alloy		
	XXX	Use Code in Alloy Chart		
		Cable Length		
		0	No Cable	
		10	10ft Cable	
		20	20ft Cable	
AP21	8	375	20	Example of Probe Ordering Product Code

Probe Element Alloy Chart					
Code	Description	UNS#	Code	Description	UNS#
375*	C1010**	G10100	159	316L S.S	S31603
538	5Cr 1/2Mo	K42544	A12	C276	N10276
541	9Cr 1Mo	K90941	602	Alloy 625	N06625
186	410 S.S	S41000	419	CDA110	C11000
141	304 S.S	S30400	434	CDA443	C44300

Note: Not all alloys are available with all element types and seals.

* Chemically equivalent to standard pipe grade carbon steels.

For alloys, sizes, or other special requirements not listed, please contact our sales department.

3.2
Model ER0500
Electrical Resistance Probe
 For Under Ground Service



The Model ER0500 corrosion probes are designed for heavy duty service conditions such as underground and structural monitoring of pipelines, vessels, above and below ground storage tanks and structures - whether cathodically protected or not.

The surface strip element assembly is suited to the “construction site” environment.



Surface Strip Element

The cylindrical element is economical and durable. Its slim profile is convenient for locations with restricted access such as concrete bridge structures and other infrastructure applications.



Cylindrical Element

Both probes provide good sealing of the reference element and the check element provides confidence in the continued performance of the corrosion sensor.

Either probe may be connected to a cathodically protected structure using the attached grounding lead. This allows the probe to measure the effectiveness of the Cathodic Protection (C.P.) System under operating conditions.

If left unconnected from the structure, the probe monitors the direct corrosivity of the soil or environment. The grounding lead is installed at the connector end, unless otherwise specified. This enables connection to the C.P. System to be made as required even after probe installation.

Specifications			
	Surface Strip	Cylindrical (Standard)	Cylindrical (High-Temp)
Probe Body	PVC/ Epoxy	FRP/ Epoxy	Stainless Steel
Cable	High-Density Polyethylene Jacket Rated for Direct Burial		Teflon® FEP
Temperature Rating	176°F (80°C)		392°F (200°C)

3.2

Model ER0500 Electrical Resistance Probe For Under Ground Service



Model ER0500 Ordering Product Code Generation					
AP	Electrical Resistance Probe				
	Type				
	31	Under ground surface strip without ground strap			
	40	Under ground cylindrical with ground strap			
	61	Under ground surface strip with ground strap			
	70	Under ground cylindrical without ground strap			
	AO	High-temperature underground cylindrical with ground strap			
	Element Thickness				
	10	10 mil thickness (5 mil useful probe life) - cylindrical or surface strip			
	20	20 mil thickness (10 mil useful probe life) - cylindrical or surface strip			
	40	40 mil thickness (20 mil useful probe life) - surface strip only			
	50	50 mil thickness (25 mil useful probe life) - cylindrical only			
	Element Alloy				
	XXX	Use Code in Alloy Chart			
	Cable Length				
	10	10ft cable			
	20	20ft cable			
AP	31	40	375	20	Example of Probe Ordering Product Code

Probe Element Alloy Chart					
Code	Description	UNS#	Code	Description	UNS#
375*	C1010**	G10100	159	316L S.S	S31603
538	5Cr 1/2Mo	K42544	A12	C276	N10276
541	9Cr 1Mo	K90941	602	Alloy 625	N06625
186	410 S.S	S41000	419	CDA110	C11000
141	304 S.S	S30400	434	CDA443	C44300

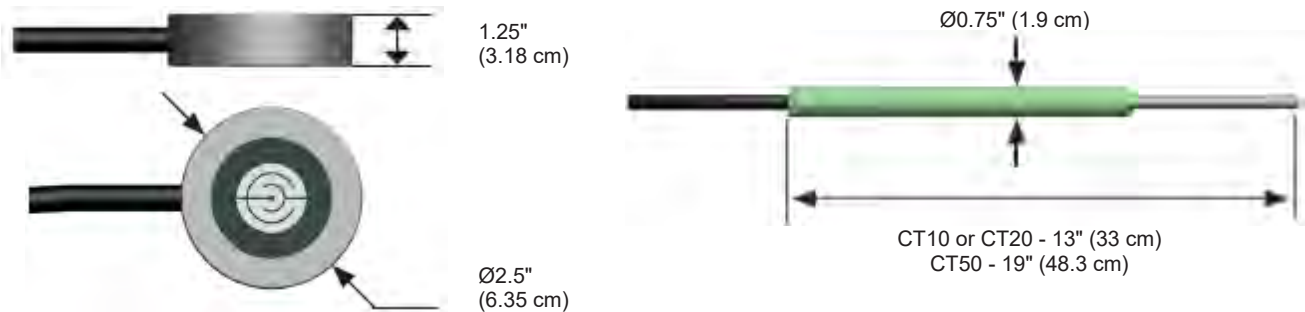
Note: Not all alloys are available with all element types and seals.

* For CT50 cylindrical elements use alloy code 378 instead of 375.

** Chemically equivalent to standard pipe-grade carbon steels.

For alloys, sizes, or other special requirements not listed, please contact our sales department.

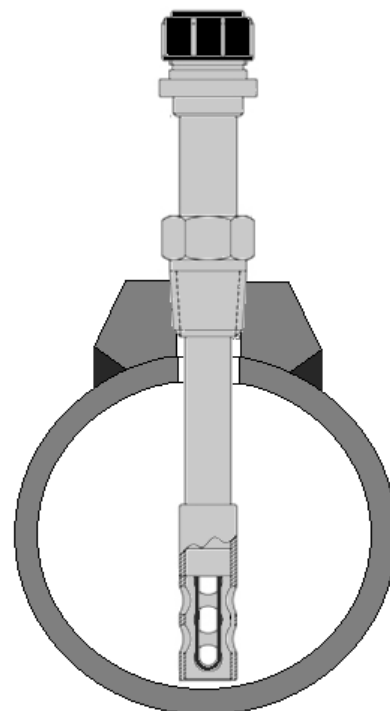
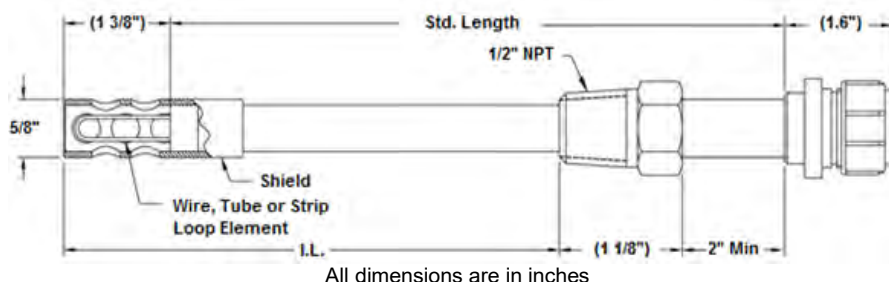
Installation/Clearance Dimensions:



All pictures are for illustrative purposes only, supplied product may differ.



3.3 Model ER1000 Electrical Resistance Probe With Loop Element For Direct Mounting Via 1/2" NPT Pipe Plug



The Model ER1000 Electrical Resistance Probe is a fixed-insertion-length probe with a 1/2" NPT pipe plug.

The probe requires process isolation or process shutdown to install and a threaded pipe fitting to mount.

With a maximum diameter of 1/2", the probe is ideal for applications where space is limited.

The probe consists of an insertion rod with an element, a hermetically sealed connector, a 1/2" NPT fitting, and a velocity shield, which are all welded in place.

The insertion length (I.L.) is calculated to the end of the shield and can be specified by the customer. For standard probes, the maximum insertion length is given in the chart on page 2 of this data sheet.

Several standard loop elements and lengths are available to meet your specific needs. (Refer to the Element and Alloy Selection Chart for more information.)

Specifications	
Probe Body	316 Stainless Steel
Element Seal	Glass or Teflon
Fill Material	Ceramic
Temperature Rating	260°C / 500°F
Pressure Rating	3000psi / 204 Bar
Mounting	1/2" NPT Fitting

3.3

Model ER1000

Electrical Resistance Probe With Loop Element

For Direct Mounting Via 1/2" NPT Pipe Plug



Model ER1000 Ordering Product Code Generation							
EP21	Electrical Resistance Probe with 1/2 inch NPT Pipe Plug						
	Probe Body Material						
	22	316					
	44	C276					
		E/R Element Options					
		0	WR40 Wire Loop - 40 mil thickness (10 mil useful probe life)				
		10	WR80 Wire Loop - 80 mil thickness (20 mil useful probe life)				
		20	TU04 Tube Loop - 4 mil thickness (2 mil useful probe life)				
		30	TU08 Tube Loop - 8 mil thickness (4 mil useful probe life)				
			Seal Type				
			1	Glass			
			2	Teflon®			
			3	Epoxy			
				Length			
			05	2.08 inches max. insertion length			
			08	5.08 inches max. insertion length			
			12	9.08 inches max. insertion length			
			18	15.08 inches max. insertion length			
				Element Alloy			
				XXX	Use Code in Alloy Chart		
					E/R Probe Options		
				00	No Shield		
				03	Shield		
EP21	22	10	1	08	375	03	Example of Probe Ordering Product Code

Probe Element Alloy Chart					
Code	Description	UNS#	Code	Description	UNS#
375*	C1010**	G10100	159	316L S.S	S31603
538	5Cr 1/2Mo	K42544	A12	C276	N10276
541	9Cr 1Mo	K90941	602	Alloy 625	N06625
186	410 S.S	S41000	419	CDA110	C11000
141	304 S.S	S30400	434	CDA443	C44300

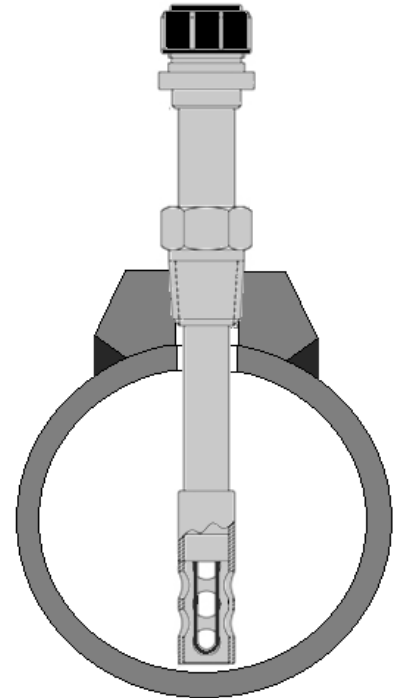
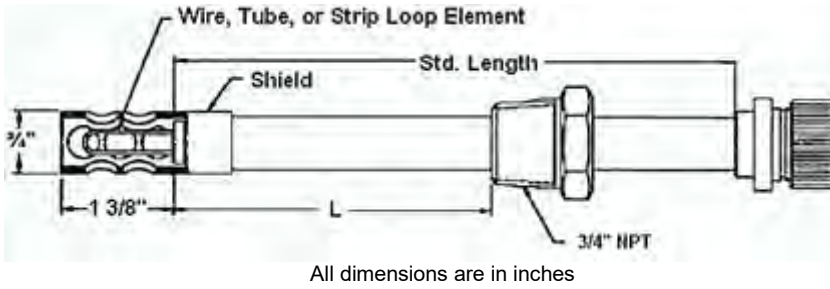
Note: Not all alloys are available with all element types and seals.

* Chemically equivalent to standard pipe grade carbon steels.

For alloys, sizes, or other special requirements not listed, please contact our sales department.



3.4
Model ER2000
Electrical Resistance Probe With Loop Element
 For Direct Mounting Via 3/4" or 1" NPT Pipe Plug



The Model ER2000 Electrical Resistance Probe is a fixed-insertion-length probe with a 3/4" NPT pipe plug.

The probe requires process isolation or process shutdown to install and a threaded pipe fitting to mount.

The probe assembly consists of an insertion rod with an element, a hermetically sealed connector, a 3/4" NPT fitting, which are welded in place.

A velocity shield can be provided if required.

The insertion length (I.L.) is calculated to the end of the shield and can be specified by the customer. For standard probes, the maximum insertion length is given in the chart on page 2 of this data sheet.

Several standard loop elements are available to meet your specific needs.

Specifications	
Element Seal	Glass or Teflon®
Fill Material	Ceramic or Epoxy
Temperature Rating	260°C / 500°F
Pressure Rating	3000psi / 204 Bar
Mounting	3/4" NPT Fitting (please specify size required)
Probe Body	316 Stainless Steel

3.4

Model ER2000

Electrical Resistance Probe With Loop Element

For Direct Mounting Via 3/4" or 1" NPT Pipe Plug



Model ER2000 Ordering Product Code Generation								
ER2	Electrical Resistance Fixed Length Pipe Plug Probe							
	Pipe Plug Size							
	2	3/4 inch NPT Pipe Plug						
	3	1 inch NPT Pipe Plug						
	Probe Body Material							
	22	316						
	44	C276						
	E/R Element Options							
	0	WR40 Wire Loop - 40 mil thickness (10 mil useful probe life)						
	10	WR80 Wire Loop - 80 mil thickness (20 mil useful probe life)						
	20	TU04 Tube Loop - 4 mil thickness (2 mil useful probe life)						
	30	TU08 Tube Loop - 8 mil thickness (4 mil useful probe life)						
	80	SL05 Strip Loop - 5 mil thickness (1.25 mil useful probe life)						
	90	SL05 Strip Loop - 10 mil thickness (2.5 mil useful probe life)						
	Seal Type							
	1	Glass						
	2	Teflon						
	3	Epoxy						
	Length							
	06	4.13 inches max. insertion length						
	08	6.13 inches max. insertion length						
	12	10.13 inches max. insertion length						
	18	16.13 inches max. insertion length						
	Element Alloy							
	XXX	Use Code in Alloy Chart						
	E/R Probe Options							
	00	No Shield						
	03	Shield						
ER2	2	22	10	1	08	375	03	Example of Probe Ordering Product Code

Probe Element Alloy Chart					
Code	Description	UNS#	Code	Description	UNS#
375*	C1010**	G10100	159	316L S.S	S31603
538	5Cr 1/2Mo	K42544	A12	C276	N10276
541	9Cr 1Mo	K90941	602	Alloy 625	N06625
186	410 S.S	S41000	419	CDA110	C11000
141	304 S.S	S30400	434	CDA443	C44300

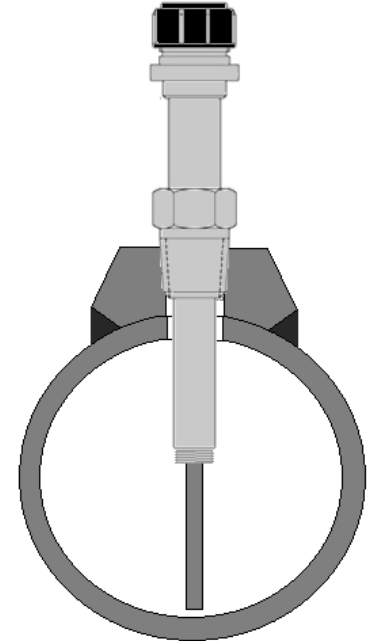
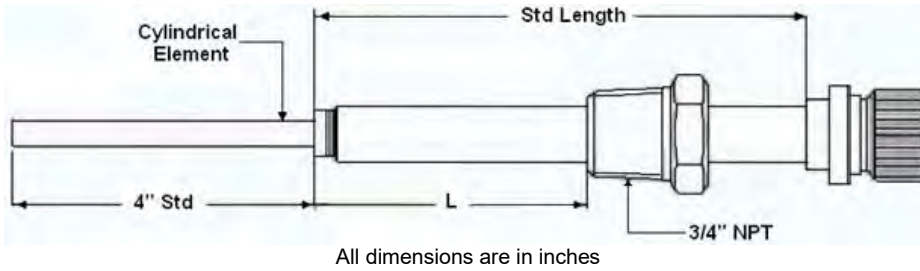
Note: Not all alloys are available with all element types and seals.

* Chemically equivalent to standard pipe grade carbon steels.

For alloys, sizes, or other special requirements not listed, please contact our sales department.



3.5
Model ER2100
Electrical Resistance Probe With Cylindrical Element
 For Direct Mounting Via 3/4" or 1" NPT Pipe Plug



The Model ER2100 is a fixed-length, electrical resistance probe with a 3/4" or 1" NPT pipe plug. The probe requires process isolation or process shutdown to install and a threaded pipe fitting to mount.

The all-welded construction allows the probe to be used in harsh environments.

The probe assembly consists of an insertion rod with an element, a hermetically sealed connector, and a 3/4" or 1" NPT fitting, which are all welded in place. A velocity shield can be provided if required.

The insertion length (I.L.) is calculated to the end of the shield or to the end of the element if a shield is not present. Probe length can be specified by the customer. For standard probes, the maximum insertion length is given in the chart on page 2.

Several standard elements are available to meet your specific needs.

Specifications	
Probe Body	316 Stainless Steel
Element Seal	Welded
Fill Material	Ceramic
Temperature Rating	260°C / 500°F
Pressure Rating	3000 psi / 204 Bar
Mounting	3/4" or 1" NPT Fitting

3.5

Model ER2100

Electrical Resistance Probe With Cylindrical Element

For Direct Mounting Via 3/4" or 1" NPT Pipe Plug



Model ER2100 Ordering Product Code Generation						
ER2	Electrical Resistance Fixed Length Pipe Plug Probe					
	Pipe Plug Size					
	2	¾ inch NPT Pipe Plug				
	3	1 inch NPT Pipe Plug				
		Probe Body Material				
	22	316				
	44	C276				
		E/R Element Options				
		500	CT10 Cylindrical - 10 mil thickness (5 mil useful probe life)			
		600	CT20 Cylindrical - 20 mil thickness (10 mil useful probe life)			
		700	CT50 Cylindrical - 50 mil thickness (25 mil useful probe life)			
			Length			
		06	7.38 inches max. insertion length			
		08	9.38 inches max. insertion length			
		12	13.38 inches max. insertion length			
		18	19.38 inches max. insertion length			
			Element Alloy			
		XXX	Use Code in Alloy Chart			
			E/R Probe Options			
		00	No Shield			
		03	Shield			
ER2	2	22	500	08	375	03 Example of Probe Ordering Product Code

Probe Element Alloy Chart					
Code	Description	UNS#	Code	Description	UNS#
375*	C1010**	G10100	159	316L S.S	S31603
538	5Cr 1/2Mo	K42544	A12	C276	N10276
541	9Cr 1Mo	K90941	602	Alloy 625	N06625
186	410 S.S	S41000	419	CDA110	C11000
141	304 S.S	S30400	434	CDA443	C44300

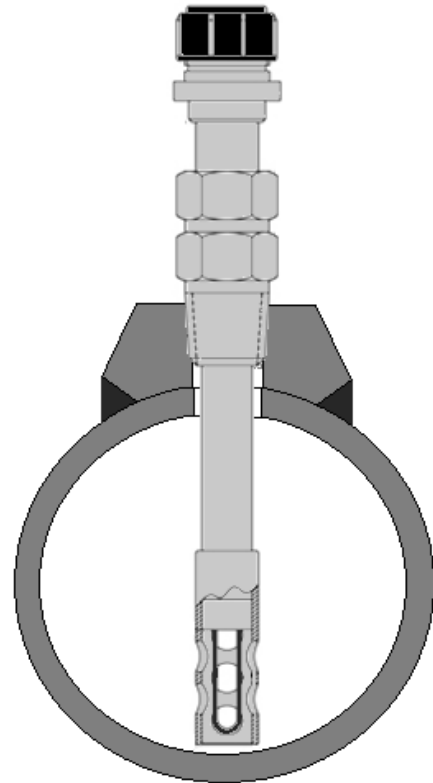
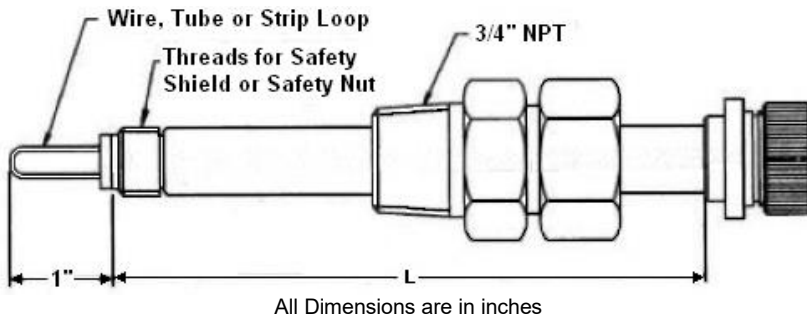
Note: Not all alloys are available with all element types and seals.

* Chemically equivalent to standard pipe grade carbon steels.

For alloys, sizes, or other special requirements not listed, please contact our sales department.



3.6
Model ER3000
Adjustable Electrical Resistance Probe With Loop Element
 For Direct Mounting Via 3/4" or 1" NPT Pipe Plug



The Model ER3000 is an adjustable-length, electrical resistance probe with a 3/4" NPT compression fitting. The compression fitting allows the probe to be inserted into the process to the required length.

The probe requires process isolation or process shutdown to install and a threaded pipe fitting to mount.

The probe consists of an insertion rod with an element, a hermetically sealed connector, a 3/4" compression fitting, and a safety nut to prevent blow out.

A velocity shield can be added to the assembly if required.

Several standard elements are available to meet your specific needs.

Specifications	
Probe Body	316 Stainless Steel
Element Seal	Glass or Teflon®
Fill Material	Ceramic
Temperature Rating	260°C / 500°F
Pressure Rating	1500psi / 102 Bar
Mounting	3/4" or 1" NPT Fitting

3.6

Model ER3000

Adjustable Electrical Resistance Probe With Loop Element

For Direct Mounting Via 3/4" or 1" NPT Pipe Plug



Model ER3000 Ordering Product Code Generation								
ER3	Electrical Resistance Adjustable Pipe Plug Probe							
	Pipe Plug Size							
	2	¾ inch NPT Pipe Plug						
	3	1 inch NPT Pipe Plug						
	Probe Body Material							
	22	316						
	44	C276						
	E/R Element Options							
	0	WR40 Wire Loop - 40 mil thickness (10 mil useful probe life)						
	10	WR80 Wire Loop - 80 mil thickness (20 mil useful probe life)						
	20	TU04 Tube Loop - 4 mil thickness (2 mil useful probe life)						
	30	TU08 Tube Loop - 8 mil thickness (4 mil useful probe life)						
	80	SL05 Strip Loop - 5 mil thickness (1.25 mil useful probe life)						
	90	SL10 Tube Loop - 10 mil thickness (2.5 mil useful probe life)						
	A0	FS04 Flush Mount Small - 4 mil thickness (2 mil useful probe life)						
	Seal Type							
	1	Glass						
	2	Teflon®						
	3	Epoxy						
	Length							
	06	5.33 inches max. insertion length						
	08	7.33 inches max. insertion length						
	12	11.33 inches max. insertion length						
	18	17.33 inches max. insertion length						
	Element Alloy							
	XXX	Use Code in Alloy Chart						
	E/R Probe Options							
	00	No Shield						
	03	Shield						
ER3	2	22	10	1	08	375	03	Example of Probe Ordering Product Code

Probe Element Alloy Chart					
Code	Description	UNS#	Code	Description	UNS#
375*	C1010**	G10100	159	316L S.S	S31603
538	5Cr 1/2Mo	K42544	A12	C276	N10276
541	9Cr 1Mo	K90941	602	Alloy 625	N06625
186	410 S.S	S41000	419	CDA110	C11000
141	304 S.S	S30400	434	CDA443	C44300

Note: Not all alloys are available with all element types and seals.

* Chemically equivalent to standard pipe grade carbon steels.

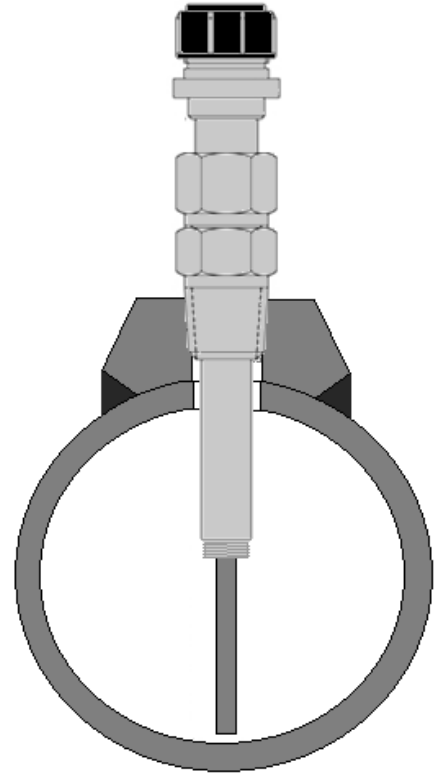
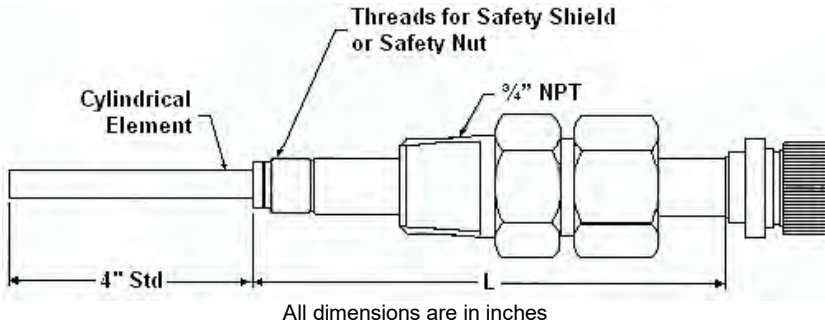
For alloys, sizes, or other special requirements not listed, please contact our sales department.



3.7

Model ER3100

Adjustable Electrical Resistance Probe With Cylindrical Element For Direct Mounting Via 3/4" or 1" NPT Pipe Plug



The Model ER3100 is an adjustable-length, electrical resistance probe with a 3/4" or 1" NPT compression fitting. The compression fitting allows the probe to be inserted into the process to the required length.

The probe requires process isolation or process shutdown to install and a threaded pipe fitting to mount.

The all-welded construction allows the probe to be used in harsh environments.

The probe assembly consists of an insertion rod with an element, a hermetically sealed connector welded in place, a 3/4" or 1" compression fitting, and a safety nut to prevent blow out. A velocity shield can be added to the assembly if required.

The insertion length (I.L.) is calculated to the end of the shield or to the end of the element if a shield is not present. Probe length can be specified by the customer. For standard probes, the maximum insertion length is given in the chart on page 2 of this data sheet.

Several standard elements are available to meet your specific needs.

Specifications	
Probe Body	316 Stainless Steel
Element Seal	Welded
Fill Material	Ceramic
Temperature Rating	260°C / 500°F
Pressure Rating	1500psi / 102 Bar
Mounting	3/4" NPT Fitting

3.7

Model ER3100

Adjustable Electrical Resistance Probe With Cylindrical Element
For Direct Mounting Via 3/4" or 1" NPT Pipe Plug



Model ER3100 Ordering Product Code Generation							
ER3	Electrical Resistance Adjustable Length Pipe Plug Probe						
	Pipe Plug Size						
	2	3/4 inch NPT Pipe Plug					
	3	1 inch NPT Pipe Plug					
		Probe Body Material					
	22	316					
	44	C276					
		E/R Element Options					
		500	CT10 Cylindrical - 10 mil thickness (5 mil useful probe life)				
		600	CT20 Cylindrical - 20 mil thickness (10 mil useful probe life)				
		700	CT50 Cylindrical - 50 mil thickness (25 mil useful probe life)				
			Insertion Length				
		06	8.58 inches max. insertion length				
		08	10.58 inches max. insertion length				
		12	14.58 inches max. insertion length				
		18	20.58 inches max. insertion length				
			Element Alloy				
		XXX	Use Code in Alloy Chart				
			E/R Probe Options				
		00	No Shield				
		03	Shield				
ER3	2	22	500	8	375	03	Example of Probe Ordering #

Probe Element Alloy Chart					
Code	Description	UNS#	Code	Description	UNS#
375*	C1010**	G10100	159	316L S.S	S31603
538	5Cr 1/2Mo	K42544	A12	C276	N10276
541	9Cr 1Mo	K90941	602	Alloy 625	N06625
186	410 S.S	S41000	419	CDA110	C11000
141	304 S.S	S30400	434	CDA443	C44300

Note: Not all alloys are available with all element types and seals.

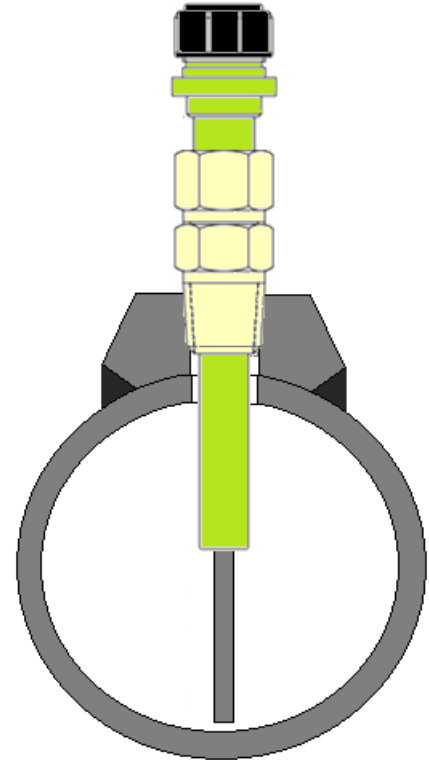
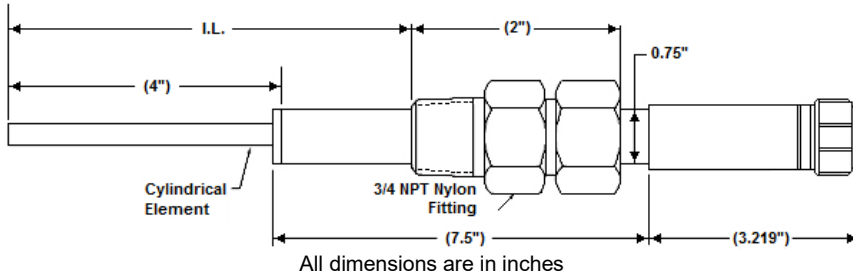
* Chemically equivalent to standard pipe grade carbon steels.

For alloys, sizes, or other special requirements not listed, please contact our sales department.

3.8

Model ER3110

Adjustable Electrical Resistance Probe With Cylindrical Element Non Metallic Probe Body & 3/4" NPT Pipe Plug



Model ER3110 is an adjustable-length, electrical resistance probe with a 3/4" NPT compression fitting and a non-metallic probe body.

The compression fitting allows the probe to be inserted into the process to the required length. The non-metallic body provides electrical isolation between the probe element and the vessel.

This can be useful in systems where galvanic problems and stray currents may cause accelerated corrosion of the probe element, causing an over-estimation of the system's corrosion rate.

The probe requires process isolation or process shutdown to install and a threaded pipe fitting to mount.

The probe assembly consists of an epoxy-filled insertion rod with an element, a 6-pin connector, and a 3/4" compression fitting. The insertion length (I.L.) is calculated to the end of the element. The maximum insertion length (I.L.) is 9.5".

Several standard elements are available to meet your specific needs.

Specifications	
Probe Body	Glass Epoxy
Element Seal	Epoxy
Fill Material	Epoxy
Temperature Rating (with Nylon Compression Fitting)	65°C / 150°F
Pressure Rating	100psi / 7 Bar
Mounting	3/4" NPT Pipe Plug

3.8

Model ER3110

Adjustable Electrical Resistance Probe With Cylindrical Element
 Non Metallic Probe Body & 3/4" NPT Pipe Plug



Model ER3110 Ordering Product Code Generation							
ER3	Electrical Resistance Adjustable Length Pipe Plug Probe						
	Pipe Plug Size						
	2	3/4" NPT Pipe Plug					
		Probe Body Material					
		7E	Epoxy				
			ER Element Options				
			503	CT10 Cylindrical – 10 mil thickness (5 mil useful probe life)			
			603	CT20 Cylindrical – 20 mil thickness (10 mil useful probe life)			
			703	CT50 Cylindrical – 50 mil thickness (25 mil useful probe life)			
				Length			
			11	9.5" max. insertion length			
				Element Alloy			
			XXX	Use Code in Alloy Chart			
				ER Probe Options			
				00	None		
ER3	2	7E	503	11	375	00	Example of Probe Ordering #

Probe Element Alloy Chart					
Code	Description	UNS#	Code	Description	UNS#
375*	C1010**	G10100	159	316L S.S	S31603
538	5Cr 1/2Mo	K42544	A12	C276	N10276
541	9Cr 1Mo	K90941	602	Alloy 625	N06625
186	410 S.S	S41000	419	CDA110	C11000
141	304 S.S	S30400	434	CDA443	C44300

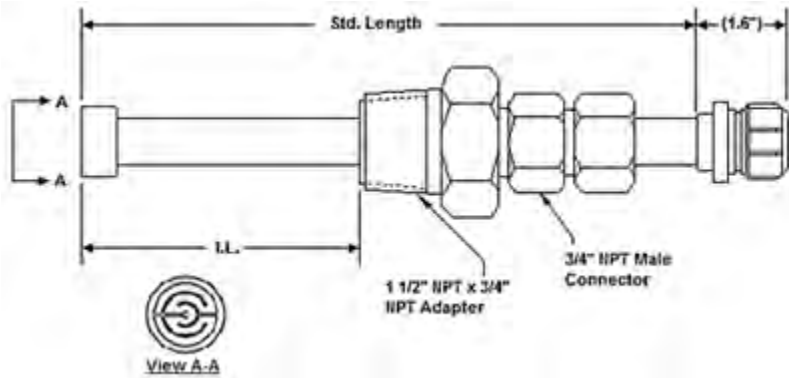
Note: Not all alloys are available with all element types and seals.

* Chemically equivalent to standard pipe grade carbon steels.

For alloys, sizes, or other special requirements not listed, please contact our sales department.



3.9
Model ER3200
Adjustable Electrical Resistance Probe With Flush Element
 For Direct Mounting Via 1½" NPT Pipe Plug



All dimensions are in inches

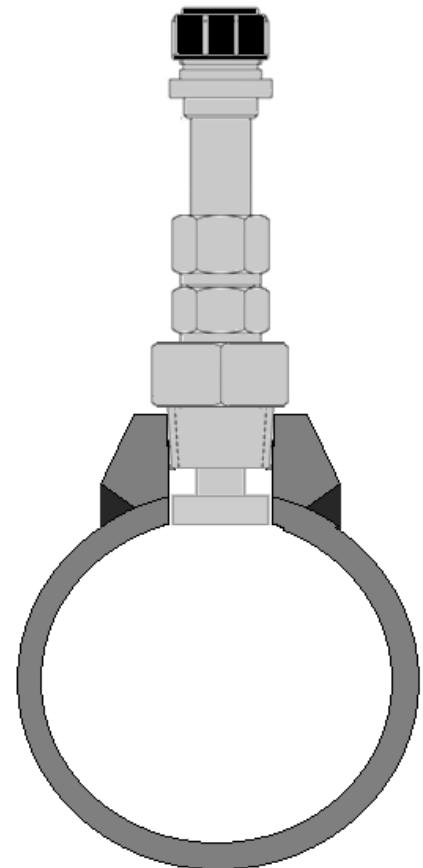
The Model ER3200 is an adjustable-length, electrical resistance probe with a ¾" NPT compression fitting combined with a ¾" to 1½" adapter. The compression fitting allows the probe to be inserted into the process to the required length.

The probe requires process isolation or process shutdown to install and a threaded pipe fitting to mount.

The probe assembly consists of an insertion rod with an element, a hermetically sealed connector welded in place, a ¾" compression fitting, and a ¾" to 1½" adapter. The adapter cannot be removed from the compression fitting.

The insertion length (I.L.) is calculated to the end of the element. Probe length can be specified by the customer. For standard probes, the maximum insertion length is given in the chart on page 2 of this data sheet.

Several standard elements are available to meet your specific needs.



Specifications	
Probe Body	316 Stainless Steel
Element Seal	Epoxy
Fill Material	Epoxy
Temperature Rating	260°C / 500°F
Pressure Rating	1500psi / 102 Bar
Mounting	1½" NPT Fitting

3.9

Model ER3200

Adjustable Electrical Resistance Probe With Flush Element

For Direct Mounting Via 1½" NPT Pipe Plug



Model ER3200 Ordering Product Code Generation							
ER3	Electrical Resistance Adjustable Length Pipe Plug Probe						
	Pipe Plug Size						
	7	1½" NPT Pipe Plug					
		Probe Body Material					
		22	316				
		44	C276				
			ER Element Options				
			C03	FL05 Flush Mount – 5 mil thickness (2.5 mil useful probe life)			
			D03	FL10 Flush Mount – 10 mil thickness (5 mil useful probe life)			
			E03	FL20 Flush Mount – 20 mil thickness (10 mil useful probe life)			
			F03	FL40 Flush Mount – 40 mil thickness (20 mil useful probe life)			
				Length			
			06	3 inches max. insertion length			
			08	5 inches max. insertion length			
			12	9 inches max. insertion length			
			18	15 inches max. insertion length			
				Element Alloy			
			XXX	Use Code in Alloy Chart			
				ER Probe Options			
			00	No Shield			
ER3	7	22	C03	08	375	00	Example of Probe Ordering Product Code

Probe Element Alloy Chart					
Code	Description	UNS#	Code	Description	UNS#
375*	C1010**	G10100	159	316L S.S	S31603
538	5Cr 1/2Mo	K42544	A12	C276	N10276
541	9Cr 1Mo	K90941	602	Alloy 625	N06625
186	410 S.S	S41000	419	CDA110	C11000
141	304 S.S	S30400	434	CDA443	C44300

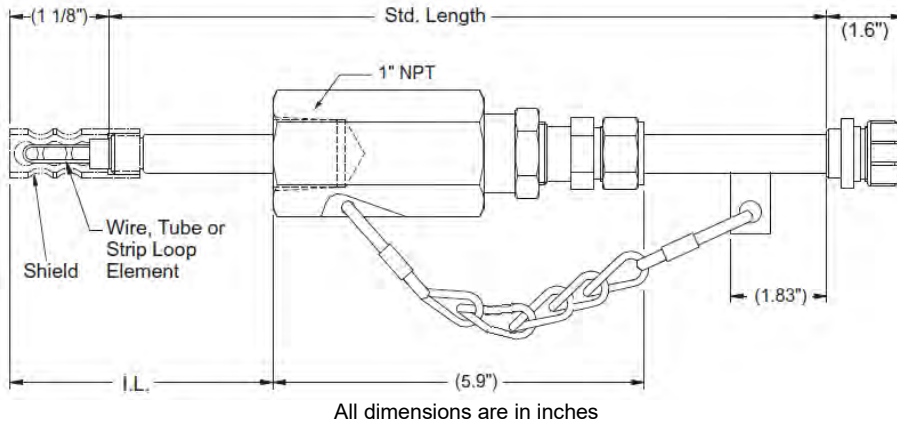
Note: Not all alloys are available with all element types and seals.

* Chemically equivalent to standard pipe grade carbon steels.

For alloys, sizes, or other special requirements not listed, please contact our sales department.



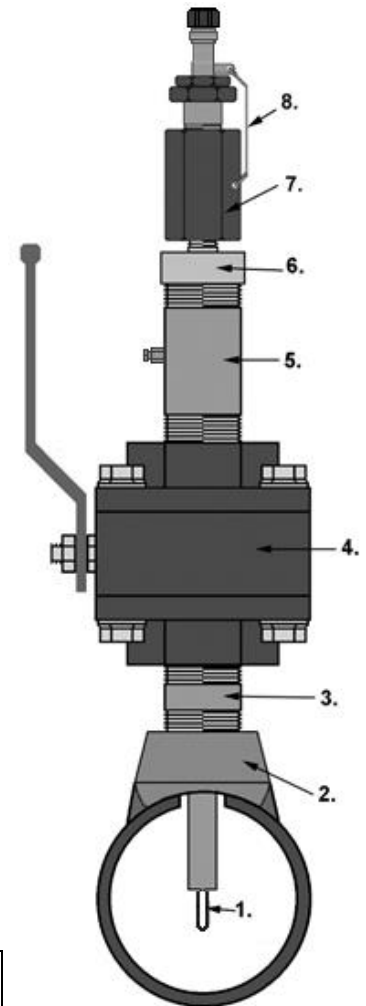
3.10 Model ER4000 Retractable Electrical Resistance Probe With Loop Element For The Low Pressure Retractable System



The Model ER4000 is a retractable, electrical resistance probe commonly used in field and plant applications. A specially designed packing gland is used with the probe for insertion into or retraction from a pressurized system without a process shutdown. Standard packing material in the packing gland is Teflon®. Grafoil packing can be provided if required.

When the probe element requires replacement, the packing gland assembly may be reused. The probe is designed to mount onto a 1" piping system, but can easily be adapted to fit your specific requirements.

The probe assembly consists of a replaceable insertion rod with an element, a hermetically sealed connector welded in place, and a packing gland. A safety chain and safety nut are also provided to prevent blowout. A velocity shield can be added to the assembly if required.



Picture is for illustrative purposes only, flanged connection is also available

Key	
1 – Probe Element	5 – TBE Pipe Nipple (usually fitted with bleed valve)
2 – Thredo-let (flanged connection is available)	6 – Thread adaptor (if required)
3 – TBE Pipe Nipple	7 – Packing gland
4 – Full Bore Ball Valve (flanged connection is available)	8 – Safety chain
	Items 1-6 are supplied separately from the ER4000

The insertion length (I.L.) is calculated to the end of the shield or to the end of the element if a shield is not present. Probe length can be specified by the customer. For standard probes, the maximum insertion length is given in the chart below. Several standard elements are available to meet your specific needs.

Specifications				
Probe Body Material	316 Stainless Steel*		Order Length	I.L. (max)
Element Seal	Glass or Teflon		24"	17.6"
Fill Material	Ceramic		30"	23.6"
Temperature Rating	260°C / 500°F Teflon®		36"	29.6"
Pressure Rating	2000 PSI / 138 Barg**		42"	35.6"
Mounting	Minimum 1" Full Bore Valve			

* Other material options are available

** Easy Tool (Product Code: SR2159-ERXX) is recommended for insertion or retraction in systems with pressure over 150 psi

3.10

Model ER4000

Retractable Electrical Resistance Probe With Loop Element For The Low Pressure Retractable System



Model ER4000 Ordering Product Code Generation							
ER45	Electrical Resistance 1 inch Female NPT Probe, Packing Gland with Teflon®						
ER75	Electrical Resistance 1 inch Female NPT Probe, Packing Gland with Grafoil®						
ER00	Electrical Resistance Replacement Insertion Rod						
Probe Body Material							
	2	316					
	4	C276					
Packing Gland Material							
	0	N/A (replacement insertion rod)					
	2	316					
	4	C276					
E/R Element Options							
		00	WR40 Wire Loop - 40 mil thickness (10 mil useful probe life)				
		10	WR80 Wire Loop - 80 mil thickness (20 mil useful probe life)				
		20	TU04 Tube Loop - 4 mil thickness (2 mil useful probe life)				
		30	TU08 Tube Loop - 8 mil thickness (4 mil useful probe life)				
		40	TU16 Tube Loop - 16 mil thickness (8 mil useful probe life)				
		80	SL05 Strip Loop - 5 mil thickness (1.25 mil useful probe life)				
		90	SL10 Strip Loop - 10 mil thickness (2.5 mil useful probe life)				
Seal Type							
		1	Glass				
		2	Teflon®				
		3	Epoxy				
Length							
		24	17.60 inches max. insertion length				
		30	23.60 inches max. insertion length				
		36	29.60 inches max. insertion length				
		42	35.60 inches max. insertion length				
Element Alloy							
		XXX	Use Code in Alloy Chart				
E/R Probe Options							
		00	No Shield				
		01	Shield, Coupon adapter (118), hardware				
		02	Shield, Coupon adapter (220), hardware				
		03	Shield				
ER45	2	2	10	1	36	375 02	Example of Probe Ordering Product Code

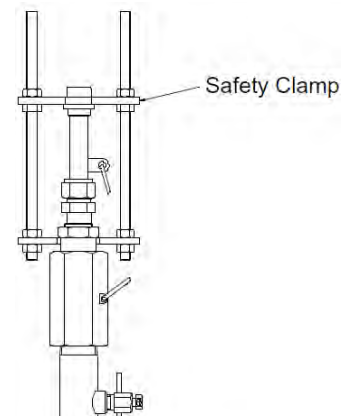
Probe Element Alloy Chart						
Code	Description	UNS#	Code	Description	UNS#	
375*	C1010*	G10100	159	316L S.S	S31603	
538	5Cr 1/2Mo	K42544	A12	C276	N10276	
541	9Cr 1Mo	K90941	602	Alloy 625	N06625	
186	410 S.S	S41000	419	CDA110	C11000	
141	304 S.S	S30400	434	CDA443	C44300	

Note: Not all alloys are available with all element types and seals.

* Chemically equivalent to standard pipe-grade carbon steels.

For alloys, sizes, or other special requirements not listed, please contact our sales department.

Safety clamps are available separately, these provide additional support to the packing gland and safety chain to control the positioning of the coupons within the pipe.

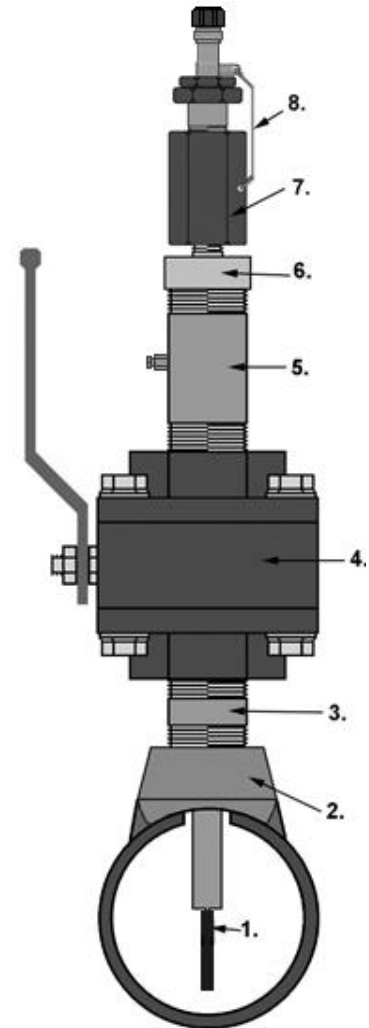
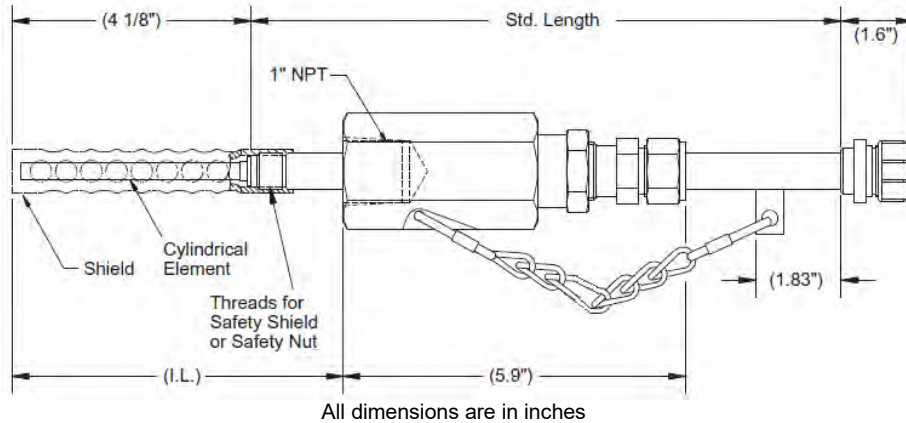


Safety Clamp Assembly Product Code:	
PS5463141XX	Replace XX with Length, e.g. PS546314124

3.11

Model ER4100

Retractable Electrical Resistance Probe With Cylindrical Element For The Low Pressure Retractable System



Picture is for illustrative purposes only, flanged connection is also available

The Model ER4100 is a retractable, electrical resistance probe commonly used in field and plant applications. The all-welded design allows the probe to be used in harsh environments. A specially designed packing gland is used with the probe for insertion into or retraction from a pressurised system without a process shutdown. Standard packing material in the packing gland is Teflon®, however, grafoil packing can be provided for high temperature applications*.

When the probe element requires replacement, the packing gland assembly may be reused. The probe is designed to mount onto a 1" piping system, but can easily be adapted to fit your specific requirements.

The probe assembly consists of a replaceable insertion rod with an element, a hermetically sealed connector welded in place, and a packing gland. A safety chain and safety nut are also provided to prevent blowout. A velocity shield can be added to the assembly if required.

Key	
1 – Probe Element	5 – TBE Pipe Nipple (usually fitted with bleed valve)
2 – Thredo-let (flanged connection is available)	6 – Thread adaptor (if required)
3 – TBE Pipe Nipple	7 – Packing gland
4 – Full Bore Ball Valve (flanged connection is available)	8 – Safety chain
Items 1-6 are supplied separately from the ER4100	

The insertion length (I.L.) is calculated to the end of the shield or to the end of the element if a shield is not present. Probe length can be specified by the customer. For standard probes, the maximum insertion length is given in the chart below. Several standard elements are available to meet your specific needs.

Specifications			
Probe Body Material	316 Stainless Steel**	Order Length	I.L. (max)
Element Seal	Glass or Teflon	24"	20.85"
Fill Material	Ceramic	30"	26.85"
Temperature Rating	260°C / 500°F Teflon®	36"	32.85"
Temperature Rating	454°C / 850°F Grafoil*	42"	38.85"
Pressure Rating	2000 PSI / 138 Barg***		
Mounting	Minimum 1" Full Bore Valve		

* High temperature applications may require the use of a high temperature element, please contact sales.

** Other material options are available

*** Easy Tool (Product Code: SR2159-ERXX) is recommended for insertion or retraction in systems with pressure over 150 psi

3.11

Model ER4100

Retractable Electrical Resistance Probe With Cylindrical Element For The Low Pressure Retractable System



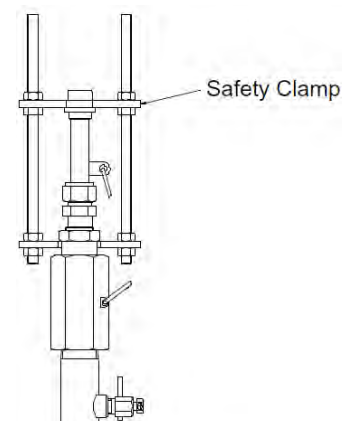
Model ER4100 Ordering Product Code Generation							
ER45	Electrical Resistance 1 inch Female NPT Probe, Packing Gland with Teflon®						
ER75	Electrical Resistance 1 inch NPT Probe, Packing Gland with Grafoi®, High Temperature						
ER00	Electrical Resistance Replacement Insertion Rod						
ER05	Electrical Resistance Replacement Insertion Rod, High Temperature						
Probe Body Material							
	2	316					
	4	C276					
Packing Gland Material							
	0	N/A (replacement insertion rod)					
	2	316					
	4	C276					
E/R Element Options							
		500	CT10 Cylindrical - 10 mil thickness (5 mil useful probe life)				
		600	CT20 Cylindrical - 20 mil thickness (10 mil useful probe life)				
		700	CT50 Cylindrical - 50 mil thickness (25 mil useful probe life)				
Length							
		24	20.85 inches max. insertion length				
		30	26.85 inches max. insertion length				
		36	32.85 inches max. insertion length				
		42	38.85 inches max. insertion length				
Element Alloy							
		XXX	Use Code in Alloy Chart				
E/R Probe Options							
		00	No Shield				
		01	Shield, Coupon adapter (118), hardware				
		02	Shield, Coupon adapter (220), hardware				
		03	Shield				
ER45	2	2	700	36	375	02	Example of Probe Ordering Product Code

Probe Element Alloy Chart					
Code	Description	UNS#	Code	Description	UNS#
375*	C1010*	G10100	159	316L S.S	S31603
538	5Cr 1/2Mo	K42544	A12	C276	N10276
541	9Cr 1Mo	K90941	602	Alloy 625	N06625
186	410 S.S	S41000	419	CDA110	C11000
141	304 S.S	S30400	434	CDA443	C44300

Note: Not all alloys are available with all element types and seals.
* Chemically equivalent to standard pipe-grade carbon steels.

For alloys, sizes, or other special requirements not listed, please contact our sales department.

Safety clamps are available separately, these provide additional support to the packing gland and safety chain to control the positioning of the coupons within the pipe.

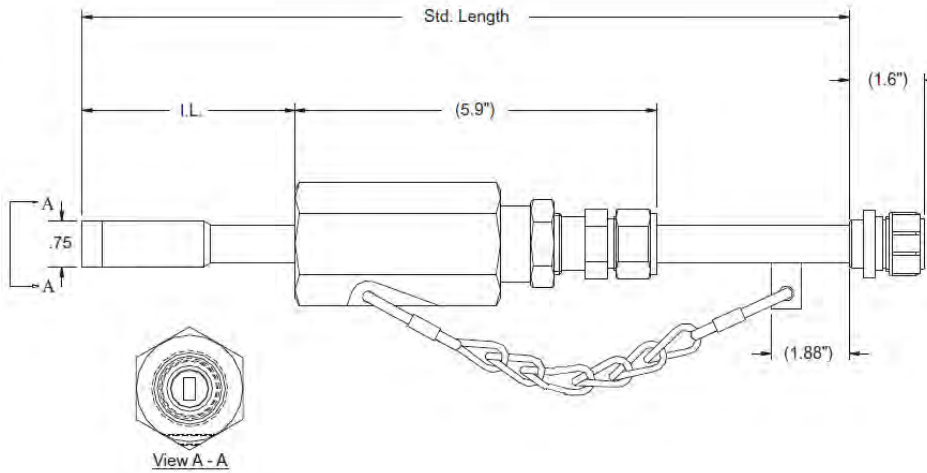


Safety Clamp Assembly Product Code:	
PS546314 XX	Replace XX with Length, e.g. PS546314 124

3.12

Model ER4200

Retractable Electrical Resistance Probe With Small Flush Element For The Low Pressure Retractable System

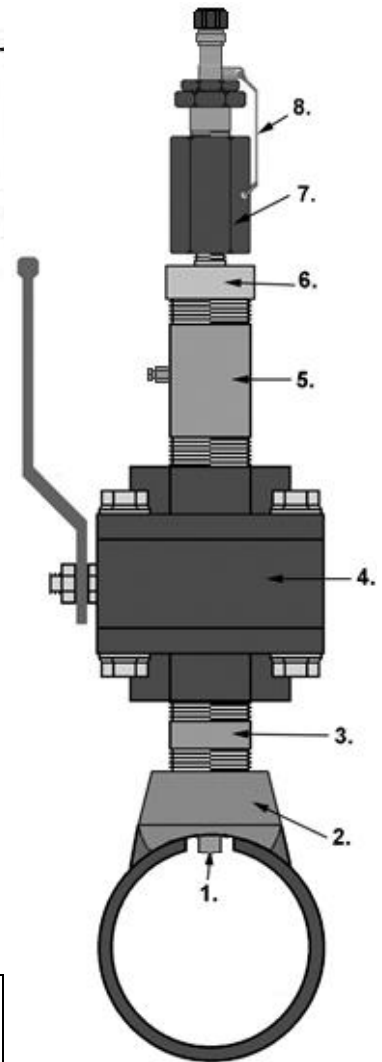


All dimensions are in inches

The Model ER4200 is a retractable, flush-mount, electrical resistance probe ideally suited for applications where the probe element needs to be flush with the wall of the pipe.

A specially designed packing gland is used with the probe for insertion to or retraction from a pressurised system without a process shutdown. Standard packing material in the packing gland is Teflon®. Grafoil packing can be provided if requested.

The probe is designed to mount into a 1" piping system, but can easily be adapted to fit your specific requirements. The probe consists of an insertion rod with an element, a hermetically sealed connector welded in place, and a packing gland.



Picture is for illustrative purposes only, flanged connection is also available

Key	
1 – Probe Element	5 – TBE Pipe Nipple (usually fitted with bleed valve)
2 – Thredo-let (flanged connection is available)	6 – Thread adaptor (if required)
3 – TBE Pipe Nipple	7 – Packing gland
4 – Full Bore Ball Valve (flanged connection is available)	8 – Safety chain
	Items 1-6 are supplied separately from the ER4200

The insertion length (I.L.) is calculated to the end of the element. Probe length can be specified by the customer. For standard probes, the maximum length is given in the chart below. Several standard elements are available to meet your specific needs.

Specifications			
Probe Body Material	316 Stainless Steel*	Order Length	I.L. (max)
Element Seal	Epoxy	24"	16.22"
Fill Material	Epoxy	30"	22.22"
Temperature Rating	260°C / 500°F Teflon®	36"	28.22"
Pressure Rating	2000 PSI / 138 Barg**	42"	34.22"
Mounting	Minimum 1" Full Bore Valve		

* Other material options are available

** Easy Tool (Product Code: SR2159-ERXX) is recommended for insertion or retraction in systems with pressure over 150 psi

3.12

Model ER4200

Retractable Electrical Resistance Probe With Small Flush Element For The Low Pressure Retractable System



Model ER4200 Ordering Product Code Generation							
ER45	Electrical Resistance 1 inch Female NPT Probe, Packing Gland with Teflon®						
ER75	Electrical Resistance 1 inch Female NPT Probe, Packing Gland with Grafoil®						
Probe Body Material							
	22	316					
	44	C276					
E/R Element Options							
	A0	FS04 Flush Mount - 4 mil thickness (2 mil useful probe life)					
	B0	FS08 Flush Mount - 8 mil thickness (4 mil useful probe life)					
	H0	FS20 Flush Mount - 20 mil thickness (10 mil useful probe life)					
Seal Type							
		3	Epoxy				
Length							
			24	16.22 inches max. insertion length			
			30	22.22 inches max. insertion length			
			36	28.22 inches max. insertion length			
			42	34.22 inches max. insertion length			
Element Alloy							
			XXX	Use Code in Alloy Chart			
E/R Probe Options							
				00	N/A		
ER45	22	A0	3	36	375	00	Example of Probe Ordering Product Code

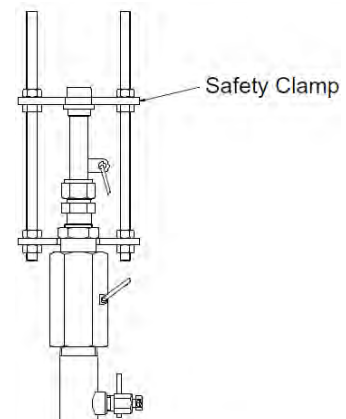
Probe Element Alloy Chart					
Code	Description	UNS#	Code	Description	UNS#
375*	C1010*	G10100	159	316L S.S	S31603
538	5Cr 1/2Mo	K42544	A12	C276	N10276
541	9Cr 1Mo	K90941	602	Alloy 625	N06625
186	410 S.S	S41000	419	CDA110	C11000
141	304 S.S	S30400	434	CDA443	C44300

Note: Not all alloys are available with all element types and seals.

* Chemically equivalent to standard pipe-grade carbon steels.

For alloys, sizes, or other special requirements not listed, please contact our sales department.

Safety clamps are available separately, these provide additional support to the packing gland and safety chain to control the positioning of the coupons within the pipe.

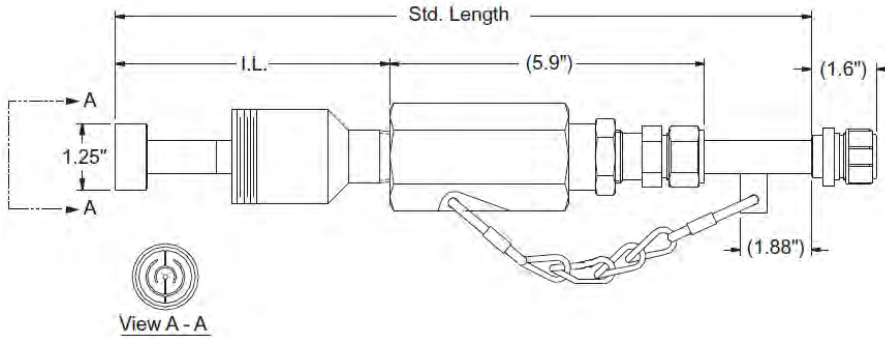


Safety Clamp Assembly Product Code:	
PS5463141XX	Replace XX with Length, e.g. PS546314124

3.13

Model ER4210

Retractable Electrical Resistance Probe With Large Flush Element For The Low Pressure Retractable System



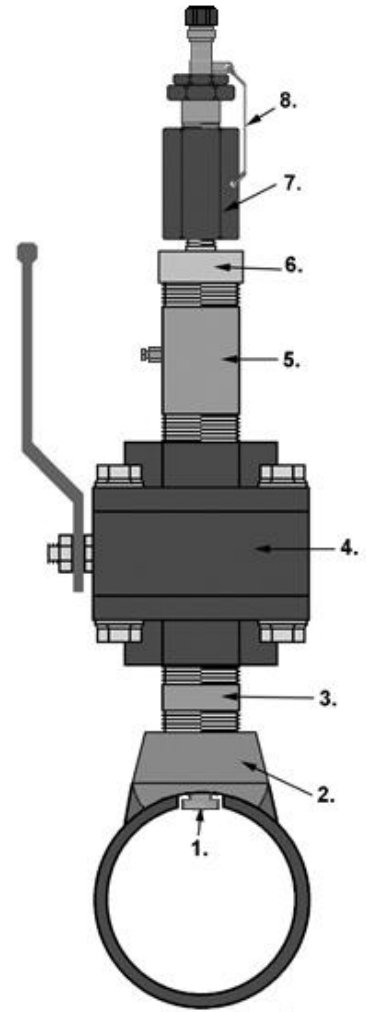
All dimensions are in inches

The Model ER4210 is a retractable, flush-mount, electrical resistance probe ideally suited for applications where the probe element needs to be flush with the wall of the pipe.

A specially designed packing gland is used with the probe for insertion to or retraction from a pressurised system without a process shutdown. Standard packing material in the packing gland is Teflon®.

The probe is designed to mount into a 1½" piping system, but can easily be adapted to fit larger requirements.

The probe consists of an insertion rod with an element, a hermetically sealed connector welded in place, and a packing gland with a 1" to 1½" swage nipple.



Picture is for illustrative purposes only, flanged connection is also available

Key	
1 – Probe Element	5 – TBE Pipe Nipple (usually fitted with bleed valve)
2 – Thredo-let (flanged connection is available)	6 – Thread adaptor
3 – TBE Pipe Nipple	7 – Packing gland
4 – Full Bore Ball Valve (flanged connection is available)	8 – Safety chain
	Items 1-5 are supplied separately from the ER4210

The insertion length (I.L.) is calculated to the end of the element. Probe length can be specified by the customer. For standard probes, the maximum length is given in the chart below. Several standard elements are available to meet your specific needs.

Specifications				
Probe Body Material	316 Stainless Steel*		Order Length	I.L. (max)
Element Seal	Epoxy		24"	11.22"
Fill Material	Epoxy		30"	17.22"
Temperature Rating	260°C / 500°F Teflon®		36"	23.22"
Pressure Rating	2000 PSI / 138 Barg**		42"	29.22"
Mounting	Minimum 1½" Full Bore Valve			

* Other material options are available

** Easy Tool (Product Code: SR2159-ERXX) is recommended for insertion or retraction in systems with pressure over 150 psi

3.13

Model ER4210

Retractable Electrical Resistance Probe With Large Flush Element For The Low Pressure Retractable System



Model ER4210 Ordering Product Code Generation							
ERB	Electrical Resistance Pipe Plug Probe with Packing Gland and Swage Nipple						
	Pipe Plug Size						
	6	2" NPT Pipe Plug					
	7	1 1/2" NPT Pipe Plug					
		Probe Body Material					
	22	316					
	44	C276					
		ER Element Options					
		C03	FL05 – 5 mil thickness (2.5 mil useful probe life)				
		D03	FL10 – 10 mil thickness (5 mil useful probe life)				
		E03	FL20 – 20 mil thickness (10 useful probe life)				
		F03	FL40 – 40 mil thickness (20 mil useful probe life)				
			Length				
		24	11.22 inches max. insertion length				
		30	17.22 inches max. insertion length				
		36	23.22 inches max. insertion length				
		42	29.22 inches max. insertion length				
			Element Alloy				
		XXX	Use Code in Alloy chart				
			ER Probe Options				
		0	N/A				
ERB	6	22	C03	24	375	0	Example of Probe Ordering Product Code

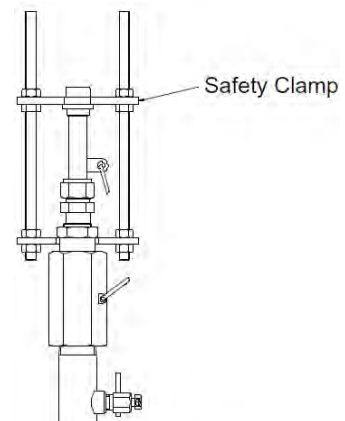
Probe Element Alloy Chart					
Code	Description	UNS#	Code	Description	UNS#
375*	C1010*	G10100	159	316L S.S	S31603
538	5Cr 1/2Mo	K42544	A12	C276	N10276
541	9Cr 1Mo	K90941	602	Alloy 625	N06625
186	410 S.S	S41000	419	CDA110	C11000
141	304 S.S	S30400	434	CDA443	C44300

Note: Not all alloys are available with all element types and seals.

* Chemically equivalent to standard pipe-grade carbon steels.

For alloys, sizes, or other special requirements not listed, please contact our sales department.

Safety clamps are available separately, these provide additional support to the packing gland and safety chain to control the positioning of the coupons within the pipe.



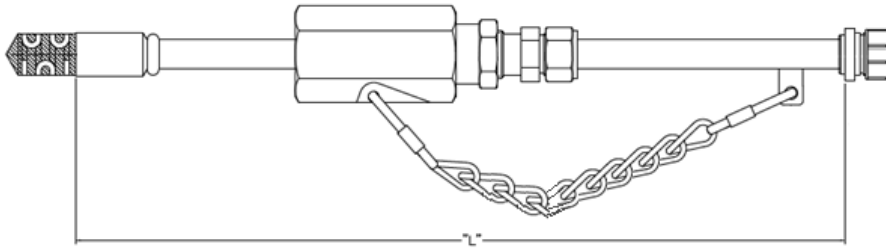
Safety Clamp Assembly Product Code:

PS5463141XX | Replace XX with Length, e.g. PS546314124

3.14

Model ER4300

Retractable Electrical Resistance Probe With Spiral Loop Element Special Order Probe For The Low Pressure Retractable System

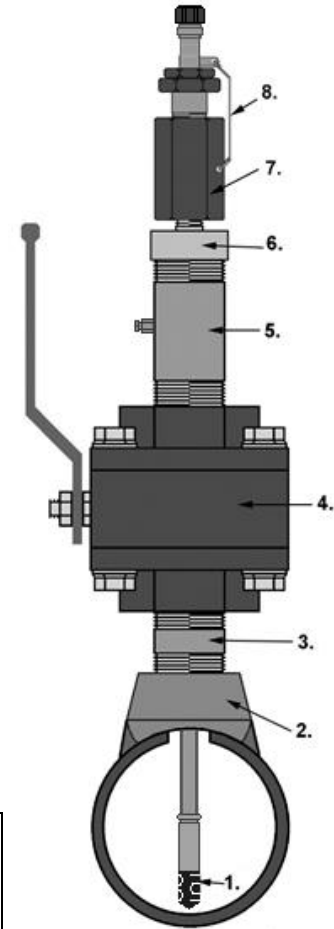


The Model ER4300 is a retractable, electrical resistance probe commonly used in field and plant applications.

The element is a spiral wound strip encased in epoxy. This approach to element construction offers several advantages over other element designs:

- High intrinsic resistance – provides highly stable readings with low susceptibility to noise.
- High element strength – allows use in very high flow rate regimes such as a gas transmission.
- Wide spacing of element loops – minimises the risk of iron sulphide scaling and bridging.

While the spiral loop is ideally suited to fast flowing, sour systems, its high stability makes it a suitable choice for oil and gas systems.



Picture is for illustrative purposes only, flanged connection is also available

Key	
1 – Probe Element	5 – TBE Pipe Nipple (usually fitted with bleed valve)
2 – Thredo-let (flanged connection is available)	6 – Thread adaptor (if required)
3 – TBE Pipe Nipple	7 – Packing gland
4 – Full Bore Ball Valve (flanged connection is available)	8 – Safety chain
	Items 1-6 are supplied separately from the ER4300

A specially designed packing gland is used with the probe for insertion into or retraction from a pressurised system without a process shutdown. Standard packing material in the packing gland is Teflon®, however, grafoil packing can be provided for high temperature applications*.

When the probe element requires replacement, the packing gland assembly may be reused. The probe is designed to mount onto a 1" piping system, but can easily be adapted to fit your specific requirements.

The probe assembly consists of a replaceable insertion rod with an element, a hermetically sealed connector welded in place, and a packing gland. A safety chain and safety nut are also provided to prevent blowout. A velocity shield can be added to the assembly if required.

Specifications				
Probe Body Material	316 Stainless Steel**		Order Length	Approx. I.L. (max)
Element Seal	Epoxy		24"	17.6"
Fill Material	Epoxy		30"	23.6"
Temperature Rating	260°C / 500°F Teflon®		36"	29.6"
Pressure Rating	2000 PSI / 138 Barg**		42"	35.6"
Mounting	Minimum 1" Full Bore Valve			

* Other material options are available

** Easy Tool (Product Code: SR2159-ERXX) is recommended for insertion or retraction in systems with pressure over 150 psi

3.14

Model ER4300

Retractable Electrical Resistance Probe With Spiral Loop Element Special Order Probe For The Low Pressure Retractable System



Model ER4300 Ordering Product Code Generation								
ER45	Electrical Resistance 1 inch Female NPT Probe, Packing Gland with Teflon®							
ER75	Electrical Resistance 1 inch Female NPT Probe, Packing Gland with Grafoil®							
ER00	Electrical Resistance Replacement Insertion Rod							
Probe Body Material								
	2	316						
	4	C276						
Packing Gland Material								
	0	N/A (replacement insertion rod)						
	2	316						
	4	C276						
E/R Element Options								
		K	SP10 Spiral Loop - 10 mil thickness (5 mil useful probe life)					
		L	SP20 Spiral Loop - 20 mil thickness (10 mil useful probe life)					
Seal Type								
		3	Epoxy					
Length (Approx.)								
		24	17.60 inches max. insertion length					
		30	23.60 inches max. insertion length					
		36	29.60 inches max. insertion length					
		42	35.60 inches max. insertion length					
Element Alloy								
		XXX	Use Code in Alloy Chart					
E/R Probe Options								
		00	No Shield					
ER45	2	2	L	3	36	375	00	Example of Probe Ordering Product Code

Probe Element Alloy Chart					
Code	Description	UNS#	Code	Description	UNS#
375*	C1010*	G10100	159	316L S.S	S31603
538	5Cr 1/2Mo	K42544	A12	C276	N10276
541	9Cr 1Mo	K90941	602	Alloy 625	N06625
186	410 S.S	S41000	419	CDA110	C11000
141	304 S.S	S30400	434	CDA443	C44300

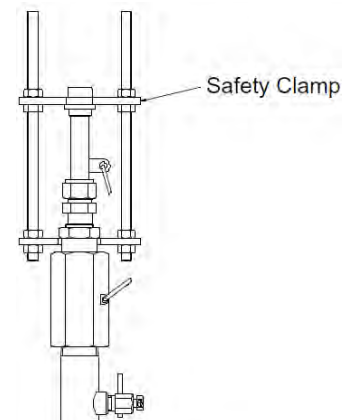
Note: Not all alloys are available with all element types and seals.

* Chemically equivalent to standard pipe-grade carbon steels.

For alloys, sizes, or other special requirements not listed, please contact our sales department.

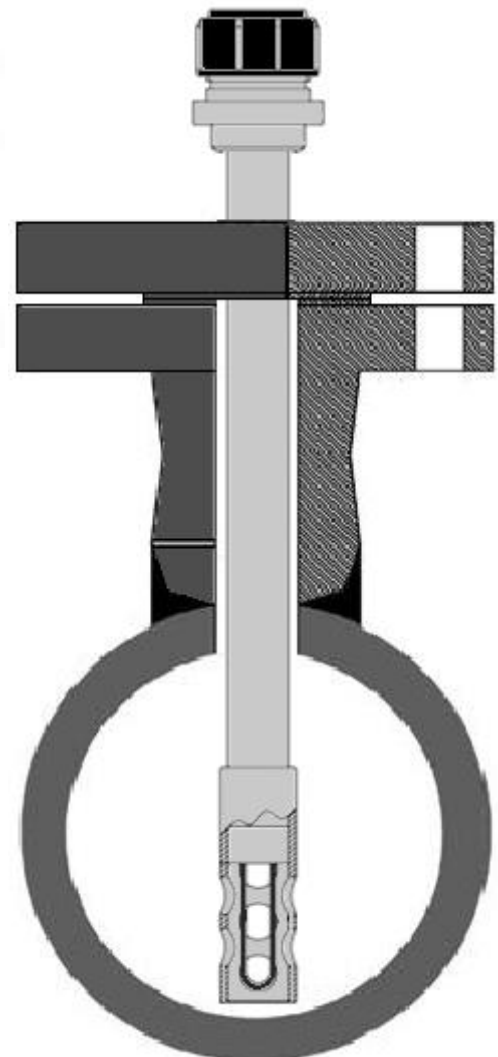
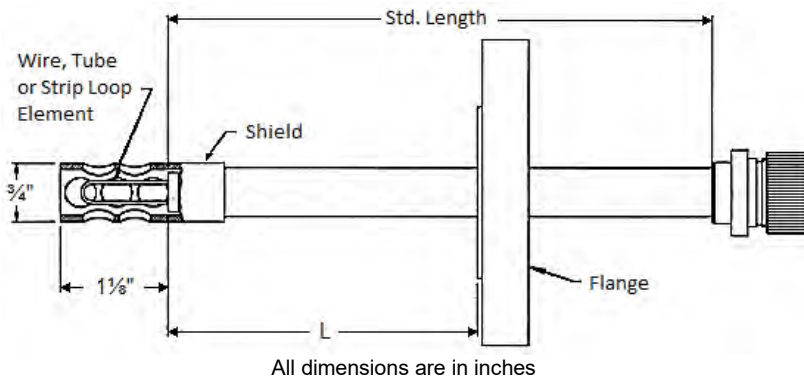
Safety clamps are available separately, these provide additional support to the packing gland and safety chain to control the positioning of the coupons within the pipe.

Safety Clamp Assembly Product Code:	
PS5463141XX	Replace XX with Length, e.g. PS546314124





3.15
Model ER6000
Electrical Resistance Probe With Loop Element
 For Direct Mounting Via Flanged Branch



The Model ER6000 is a fixed-insertion-length, flange-mounted, electrical resistance probe. The probe is ideally suited for use in high pressure and/or hazardous applications where threaded fittings are not available or not recommended.

Process shutdown or process isolation is required for installation and inspection.

The probe assembly consists of an insertion rod with an element, a hermetically sealed connector and a flange (as specified by customer), which are all welded in place.

A velocity shield can be added to the assembly if required and a mechanical seal can be added for additional safety.

Several standard elements, lengths and different flange sizes are available to meet your specific needs (please refer to the Element and Alloy Selection Chart for more information.)

Specifications				
Probe Body Material	316 Stainless Steel*		Order Length	I.L. (max)
Element Seal	Glass or Teflon		8"	6.125"
Fill Material	Ceramic		12"	10.125"
Temperature Rating	260°C / 500°F Teflon®		18"	16.125"
Pressure Rating	Per flange pressure rating		24"	22.125"
Mounting	Flanged branch			

* Other material options are available

3.15
Model ER6000
Electrical Resistance Probe With Loop Element
For Direct Mounting Via Flanged Branch



Model ER6000 Ordering Product Code Generation									
ER6	Electrical Resistance Fixed Length Probe with Flange								
	Flange Size								
	1	1 inch Flange							
	2	1½ inch Flange							
	3	2 inch Flange							
	4	3 inch Flange							
	5	4 inch Flange							
	7	6 inch Flange							
	Probe Body Material								
	22	316							
	44	C276							
	E/R Element Options								
	0	WR40 Wire Loop - 40 mil thickness (10 mil useful probe life)							
	1	WR80 Wire Loop - 80 mil thickness (20 mil useful probe life)							
	2	TU04 Tube Loop - 4 mil thickness (2 mil useful probe life)							
	3	TU08 Tube Loop - 8 mil thickness (4 mil useful probe life)							
	8	SL05 Strip Loop - 5 mil thickness (1.25 mil useful probe life)							
	9	SL10 Strip Loop - 10 mil thickness (2.5 mil useful probe life)							
	Flange Pressure Rating								
	1	150 lb.							As standard the flange is ANSI RF ANSI RTJ and API are available to special order
	2	300 lb.							
	3	600 lb.							
	5	1500 lb.							
	6	900 lb.							
	8	2500lb							
	Seal Type								
	1	Glass							
	2	Teflon®							
	3	Epoxy							
	Insertion Length								
	08	6.125 inches max. insertion length							
	12	10.125 inches max. insertion length							
	18	16.125 inches max. insertion length							
	24	22.125 inches max. insertion length							
	Element Alloy								
	XXX	Use Code in Alloy Chart							
	E/R Probe Options								
	00	No Shield							
	01	Shield, coupon adapter (118), hardware							
	02	Shield, coupon adapter (220), hardware							
	03	Shield							
ER6	2	22	4	1	2	08	375	03	Example of Probe Ordering Product Code

Probe Element Alloy Chart					
Code	Description	UNS#	Code	Description	UNS#
375*	C1010*	G10100	159	316L S.S	S31603
538	5Cr 1/2Mo	K42544	A12	C276	N10276
541	9Cr 1Mo	K90941	602	Alloy 625	N06625
186	410 S.S	S41000	419	CDA110	C11000
141	304 S.S	S30400	434	CDA443	C44300

Note: Not all alloys are available with all element types and seals.

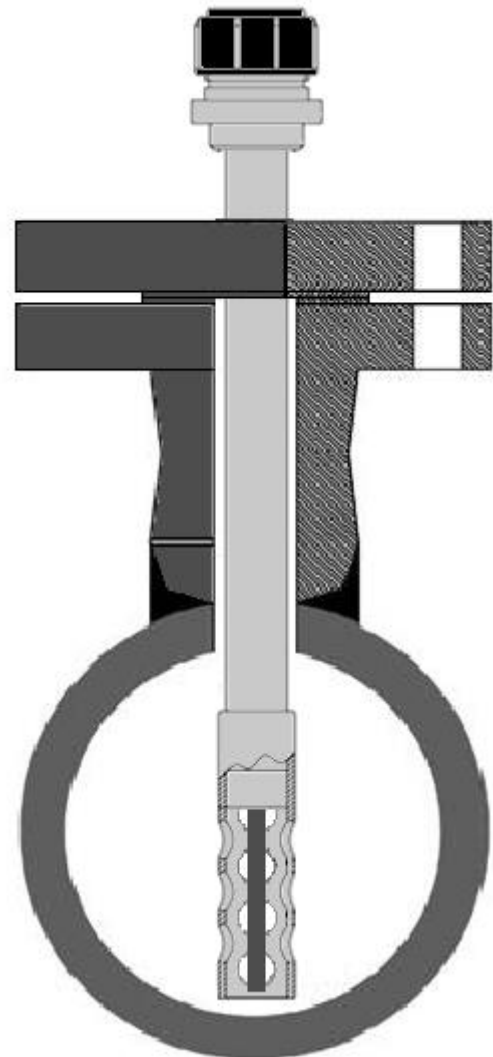
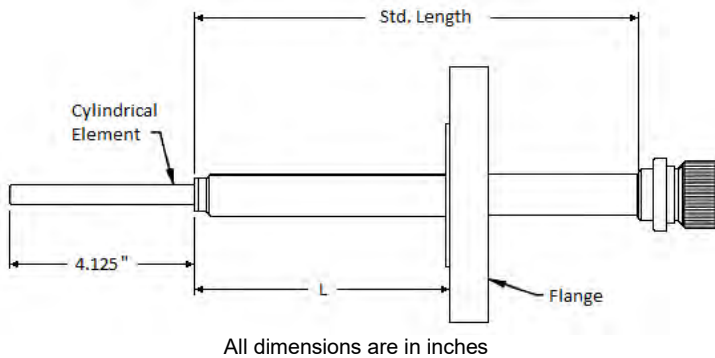
* Chemically equivalent to standard pipe-grade carbon steels.

For alloys, sizes, or other special requirements not listed, please contact our sales department.

3.16

Model ER6100

Electrical Resistance Probe With Cylindrical Element For Direct Mounting Via Flanged Branch



The **Model ER6100** is a fixed-length, flange-mounted, electrical resistance probe. The probe is ideally suited for use in high pressure and/or hazardous applications where threaded fittings are not available or not recommended.

Process shutdown or process isolation is required for installation and inspection.

The all-welded construction allows the probe to be used in harsh environments. The probe assembly consists of an insertion rod with an element, a hermetically sealed connector, and a flange (as specified by customer), which are all welded in place.

A mechanical seal and a velocity shield can be added if required.

The insertion length (I.L.) is calculated to the end of the shield or to the end of the element if a shield is not present. Probe length can be specified by the customer. For standard probes, the maximum insertion length is given in the chart below and, in this case, is based on a 1" total flange thickness.

Several standard elements, lengths and different flange sizes are available to meet your specific needs (please refer to the Element and Alloy Selection Chart for more information.)

Specifications				
Probe Body Material	316 Stainless Steel*		Order Length	I.L. (max)
Element Seal	Welded		8"	9"
Fill Material	Ceramic		12"	13"
Temperature Rating	260°C / 500°F Teflon®		18"	19"
Pressure Rating	Per flange pressure rating		24"	25"
Mounting	Flanged branch			

* Other material options are available

3.16

Model ER6100

Electrical Resistance Probe With Cylindrical Element

For Direct Mounting Via Flanged Branch



Model ER6100 Ordering Product Code Generation								
ER6	Electrical Resistance Fixed Length Probe with Flange							
	Flange Size							
	1	1 inch Flange						
	2	1½ inch Flange						
	3	2 inch Flange						
	4	3 inch Flange						
	5	4 inch Flange						
	7	6 inch Flange						
	Probe Body Material							
	22	316						
	44	C276						
	E/R Element Options							
	5	CT10 Cylindrical - 10 mil thickness (5 mil useful probe life)						
	6	CT20 Cylindrical - 20 mil thickness (10 mil useful probe life)						
	7	CT50 Cylindrical - 50 mil thickness (25 mil useful probe life)						
	Flange Pressure Rating							
	10	150 lb.					As standard the flange is ANSI RF ANSI RTJ and API are available to special order	
	20	300 lb.						
	30	600 lb.						
	50	1500 lb.						
	60	900 lb.						
	80	2500 lb.						
	Insertion Length							
	08	9 inches max. insertion length						
	12	13 inches max. insertion length						
	18	19 inches max. insertion length						
	24	25 inches max. insertion length						
	Element Alloy							
	XXX	Use Code in Alloy Chart						
	E/R Probe Options							
	00	No Shield						
	01	Shield, coupon adapter (118), hardware						
	02	Shield, coupon adapter (220), hardware						
	03	Shield						
ER6	2	22	7	20	08	375	03	Example of Probe Ordering Product Code

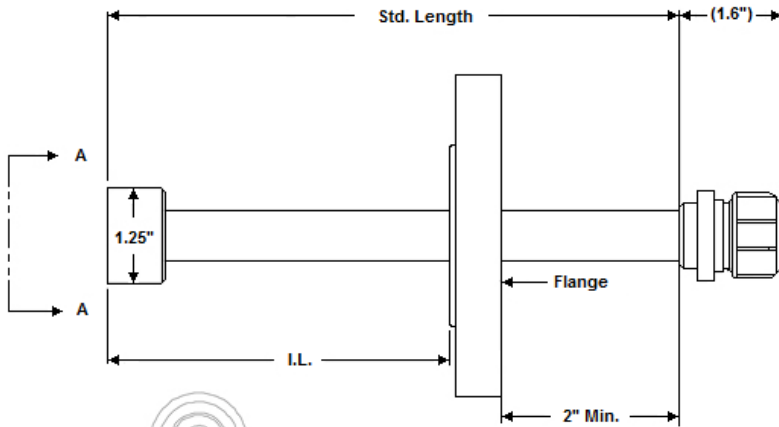
Probe Element Alloy Chart					
Code	Description	UNS#	Code	Description	UNS#
375*	C1010*	G10100	159	316L S.S	S31603
538	5Cr 1/2Mo	K42544	A12	C276	N10276
541	9Cr 1Mo	K90941	602	Alloy 625	N06625
186	410 S.S	S41000	419	CDA110	C11000
141	304 S.S	S30400	434	CDA443	C44300

Note: Not all alloys are available with all element types and seals.

* Chemically equivalent to standard pipe-grade carbon steels.

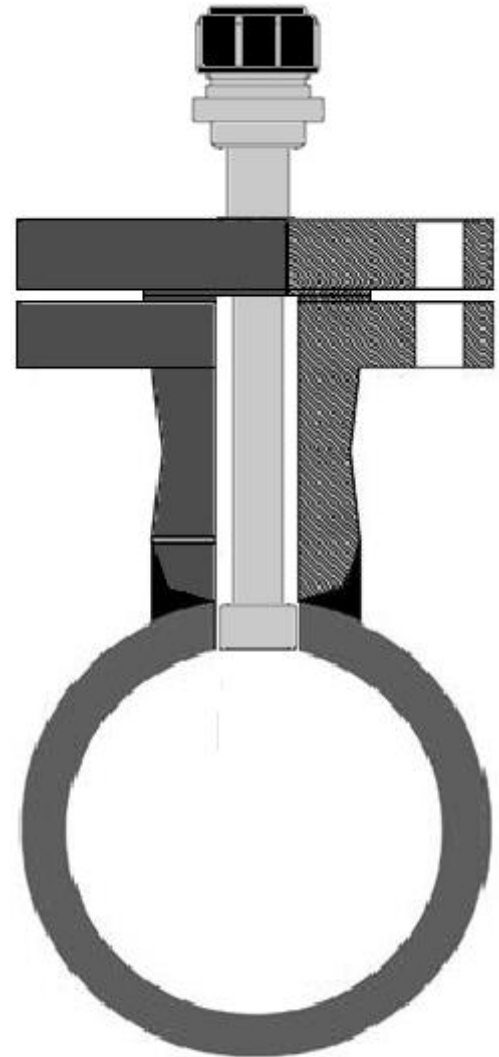
For alloys, sizes, or other special requirements not listed, please contact our sales department.

3.17
Model ER6200
Electrical Resistance Probe With Flush Element
 For Direct Mounting Via Flanged Branch



View A-A

All dimensions are in inches



The Model ER6200 is a fixed-length, flange-mounted, electrical resistance probe. The probe is ideally suited for use in high pressure and/or hazardous applications where threaded fittings are not available or not recommended.

Process shutdown or process isolation is required for installation and inspection.

The all-welded construction allows the probe to be used in harsh environments. The probe assembly consists of an insertion rod with an element, a hermetically sealed connector, and a flange (as specified by customer), which are all welded in place.

A mechanical seal can be added if required.

The insertion length (I.L.) is calculated to the end the element. Probe length can be specified by the customer. For standard probes, the maximum insertion length is given in the chart below and, in this case, is based on a 1" total flange thickness.

Several standard elements are available to meet your specific needs.

Specifications				
Probe Body Material	316 Stainless Steel*		Order Length	I.L. (max)
Element Seal	Epoxy		8"	5"
Fill Material	Epoxy		12"	9"
Temperature Rating	260°C / 500°F Teflon®		18"	15"
Pressure Rating	Per flange pressure rating		24"	21"
Mounting	Flanged branch			

* Other material options are available

3.17

Model ER6200

Electrical Resistance Probe With Flush Element

For Direct Mounting Via Flanged Branch



Model ER6200 Ordering Product Code Generation								
ER6	Electrical Resistance Fixed Length Probe with Flange							
	Flange Size							
	2	1½ inch Flange						
	3	2 inch Flange						
	4	3 inch Flange						
	5	4 inch Flange						
	7	6 inch Flange						
	Probe Body Material							
	22	316						
	44	C276						
	E/R Element Options							
	C	FL05 Flush Mount – 5 mil thickness (2.5 mil useful probe life)						
	D	FL10 Flush Mount – 10 mil thickness (5 mil useful probe life)						
	E	FL20 Flush Mount – 20 mil thickness (10 mil useful probe life)						
	F	FL40 Flush Mount – 40 mil thickness (20 mil useful probe life)						
	Flange Pressure Rating							
	13	150 lb.		As standard the flange is ANSI RF ANSI RTJ and API are available to special order				
	23	300 lb.						
	33	600 lb.						
	53	1500 lb.						
	63	900 lb.						
	83	2500 lb.						
	Insertion Length							
	08	5 inches max. insertion length						
	12	9 inches max. insertion length						
	18	15 inches max. insertion length						
	24	21 inches max. insertion length						
	Element Alloy							
	XXX	Use Code in Alloy Chart						
	E/R Probe Options							
	00	N/A						
ER6	2	22	C	13	08	375	00	Example of Probe Ordering #

Probe Element Alloy Chart					
Code	Description	UNS#	Code	Description	UNS#
375*	C1010*	G10100	159	316L S.S	S31603
538	5Cr 1/2Mo	K42544	A12	C276	N10276
541	9Cr 1Mo	K90941	602	Alloy 625	N06625
186	410 S.S	S41000	419	CDA110	C11000
141	304 S.S	S30400	434	CDA443	C44300

Note: Not all alloys are available with all element types and seals.

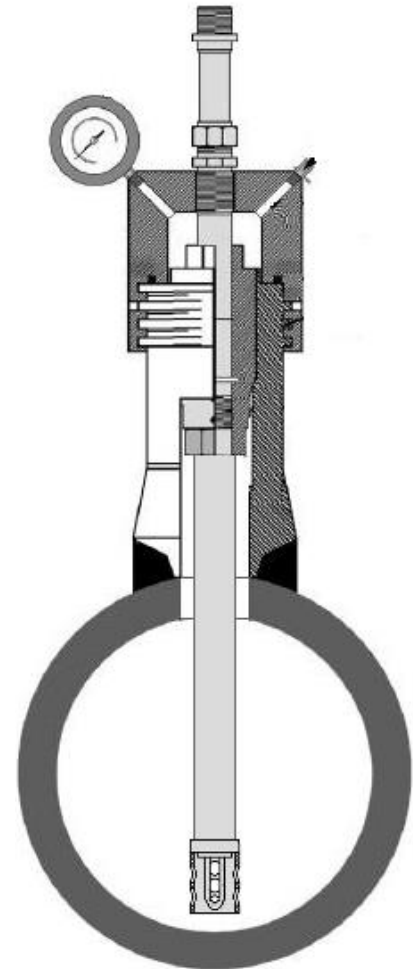
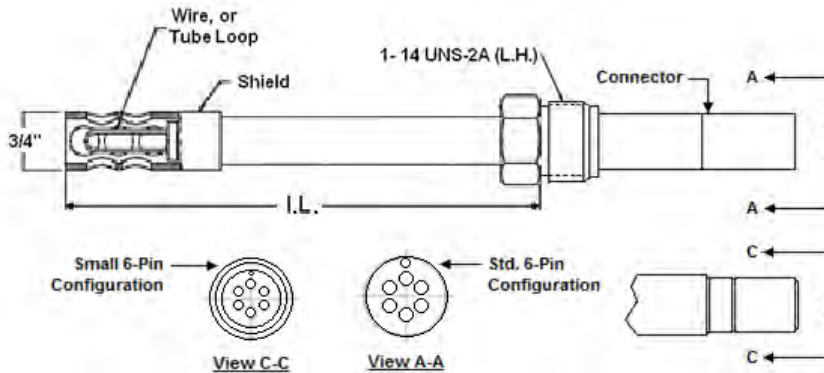
* Chemically equivalent to standard pipe-grade carbon steels.

For alloys, sizes, or other special requirements not listed, please contact our sales department.

3.18

Model ER7000

Retrievable Electrical Resistance Probe With Loop Element For The High Pressure Two Inch Access Fitting System



Picture is for illustrative purposes only, other access fitting mounting options are available.

The Model ER7000 Electrical Resistance Probe is a fixed-length probe for use with the two inch access fitting systems at high pressures and temperatures.

The probe assembly consists of an insertion rod with an element, a hermetically sealed six pin connector and a pipe plug with the industry standard 1-14 UNS 2A LH thread.

The pipe plug on the probe screws into the hollow plug nut of the access system. This allows the probe to be installed in the process, using a retriever tool and service valve, without process shutdown.

A shield for the element is fitted to the ER7000 probe as standard, various options are available.

Several standard element and probe lengths are available to meet your specific needs. (Refer to the Element and Alloy Selection Chart for more information.)

Probe adaptors are available and must be ordered separately.

The insertion length (I.L.) can range from 2.875" up to any length specified by the customer in 1/8" increments.

Specifications	
Probe Body	316 Stainless Steel
Element Seal	Glass
Fill Material	Ceramic
Temperature Rating	260°C / 500°F
Pressure Rating	3600 PSI / 245 Barg
Mounting	Two Inch Access Fitting System With Hollow Plug

3.18

Model ER7000

Retrievable Electrical Resistance Probe With Loop Element

For The High Pressure Two Inch Access Fitting System



Model ER7000 Ordering Product Code Generation									
HR	Electrical Resistance Probe For Use With The Two Inch Access Fitting System								
	Mounting Material								
	2	316							
	3	C276							
		Connector Type							
	1	Small Connector							
	2	Standard Connector							
		E/R Element Options							
	0	WR40 Wire Loop - 40 mil thickness (10 mil useful probe life)							
	1	WR80 Wire Loop - 80 mil thickness (20 mil useful probe life)							
	2	TU04 Tube Loop - 4 mil thickness (2 mil useful probe life)							
	3	TU08 Tube Loop - 8 mil thickness (4 mil useful probe life)							
		Seal Type							
	1	Glass							
	2	Teflon® (PTFE)							
	3	Epoxy							
		Length (calculated length rounded down to 1/8 inch increment)							
	XXXX	Length in inches, in 2 decimal place format (e.g. 7.25 inches = 0725)							
		Element Alloy							
	XXX	Use Code in Alloy Chart							
		E/R Probe Options							
	00	No Shield							
	01	Standard Shield							
	02	Hi-velocity Shield							
	03	Coupon Holding Shield							
		Probe Seal Options							
	01	PTFE							
	02	PEEK							
HR	2	2	3	1	0725	375	01	01	Example of Probe Ordering Product Code

Probe Element Alloy Chart					
Code	Description	UNS#	Code	Description	UNS#
375	C1010 Carbon Steel*	G10100	159	316L S.S	S31603
538	5Cr 1/2Mo	K42544	A12	C276	N10276
541	9Cr 1Mo	K90941	602	Alloy 625	N06625
186	410 S.S	S41000	419	CDA110	C11000
141	304 S.S	S30400	434	CDA443	C44300

*Chemically equivalent to standard pipe grade carbon steels

Note: Not all alloys are available with all element types and seals.

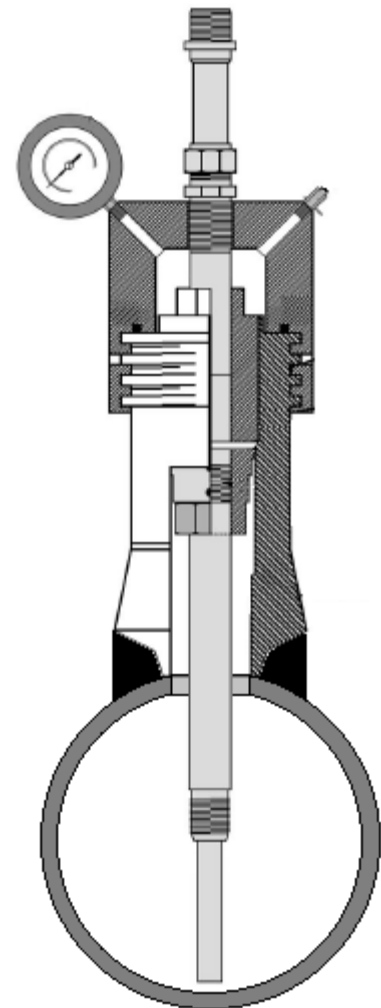
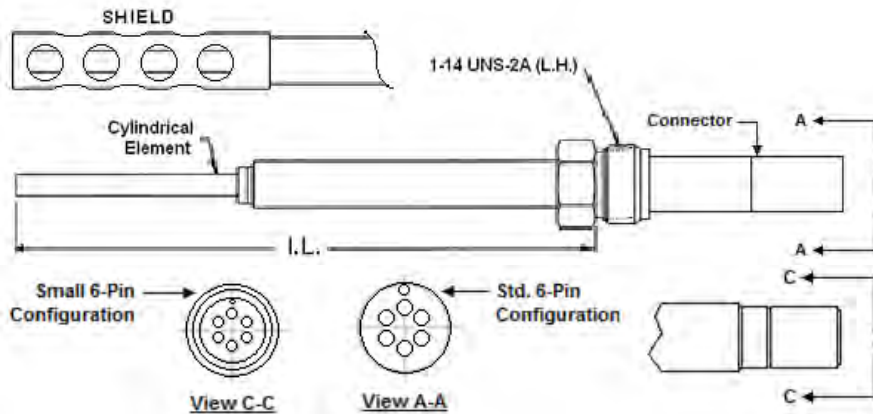
For alloys, sizes, or other special requirements not listed, please contact our sales department.

Electrical Resistance Probe Spare Parts	Product Code
Replacement PTFE Probe Seal (seals probe to hollow plug)	700277
Replacement PEEK Probe Seal (seals probe to hollow plug)	700339
Hollow Plug Bore-Seal Nut, 316 S/S (seals hollow plug when probe is not installed)	700311
Shield For Probe Element	700608
Shield For Probe Element, High Velocity Service Conditions	700609
Shield For Probe Element With Integral Strip Coupon Holder	700612

3.19

Model ER7100

Retrievable Electrical Resistance Probe With Cylindrical Element For The High Pressure Two Inch Access Fitting System



Picture is for illustrative purposes only, other access fitting mounting options are available.

The Model ER7100 Electrical Resistance Probe is a fixed-length, retrievable probe for use with the two inch access fitting system in high pressure and high temperature applications.

The all-welded construction of the element makes it ideal for harsh environments.

A shield for the element can be added to the probe if required.

The probe assembly consists of an insertion rod with an element, a hermetically sealed six pin connector and a pipe plug with the industry standard 1-14 UNS 2A LH thread.

The pipe plug on the probe screws into the hollow plug nut of the access system. This allows the probe to be installed in the process, using a retriever tool and service valve, without process shutdown.

The minimum insertion length (I.L.) for J0 element is 3", 5" for other element types, up to any length specified by the customer in 1/8" increments.

Several standard elements are available to meet your specific needs (please see page 2). Probe adaptors are available and must be ordered separately.

Specifications	
Probe Body	316 Stainless Steel
Element Seal	Welded
Fill Material	Ceramic
Temperature Rating	260°C / 500°F
Pressure Rating	3600 PSI / 245 Barg
Mounting	Two Inch Access Fitting System With Hollow Plug

3.19

Model ER7100

Retrievable Electrical Resistance Probe With Cylindrical Element
For The High Pressure Two Inch Access Fitting System



Model ER7100 Ordering Product Code Generation								
HR	Electrical Resistance Probe For Use With The Two Inch Access Fitting System							
	Mounting Material							
	2	316						
	3	C276						
		Connector Type						
	1	Small Connector						
	2	Standard Connector						
		E/R Element Options						
		50	CT10 Cylindrical – 10 mil thickness (5 mil useful probe life)					
		J0	CT10 Cylindrical (2") – 10 mil thickness (5 mil useful probe life)					
		60	CT20 Cylindrical – 20 mil thickness (10 mil useful probe life)					
		70	CT50 Cylindrical – 50 mil thickness (25 mil useful probe life)					
			Length (calculated length rounded down to 1/8 inch increment)					
		XXXX	Length in inches, in 2 decimal place format (e.g. 7.25 inches = 0725)					
			Element Alloy					
		XXX	Use Code in Alloy Chart					
			E/R Probe Options					
		00	No Shield					
		01	Standard Shield					
		02	Hi-velocity Shield					
		03	Coupon Holding Shield					
			Probe Seal Options					
		01	PTFE					
		02	PEEK					
HR	2	2	60	0725	375	00	01	Example of Probe Ordering Product Code

Probe Element Alloy Chart					
Code	Description	UNS#	Code	Description	UNS#
375	C1010 Carbon Steel*	G10100	159	316L S.S	S31603
538	5Cr 1/2Mo	K42544	A12	C276	N10276
541	9Cr 1Mo	K90941	602	Alloy 625	N06625
186	410 S.S	S41000	419	CDA110	C11000
141	304 S.S	S30400	434	CDA443	C44300

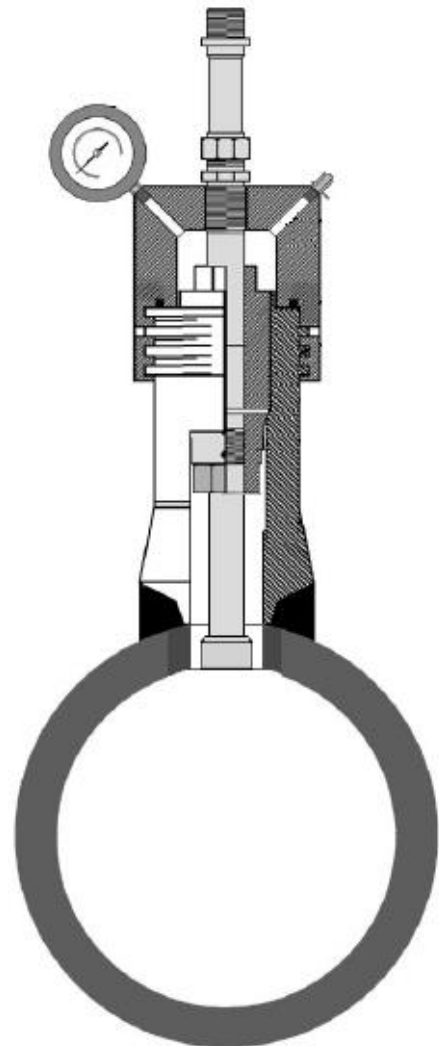
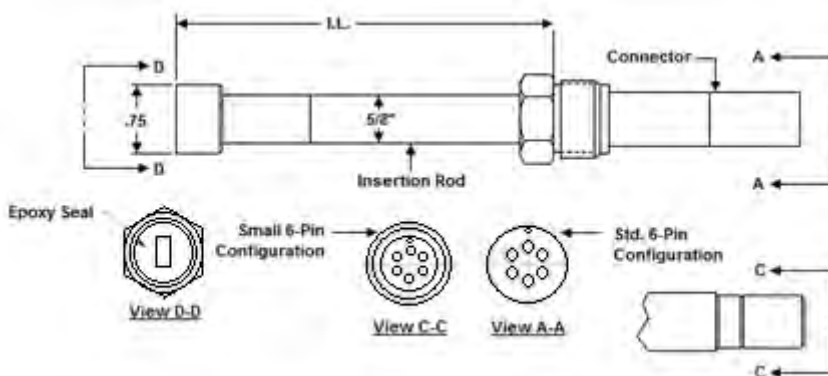
*Chemically equivalent to standard pipe grade carbon steels

Note: Not all alloys are available with all element types and seals.

For alloys, sizes, or other special requirements not listed, please contact our sales department.

Electrical Resistance Probe Spare Parts	Product Code
Replacement PTFE Probe Seal (seals probe to hollow plug)	700277
Replacement PEEK Probe Seal (seals probe to hollow plug)	700339
Hollow Plug Bore-Seal Nut, 316 S/S (seals hollow plug when probe is not installed)	700311
Shield For Probe Element	700610
Shield For Probe Element, High Velocity Service Conditions	700611
Shield For Probe Element With Integral Strip Coupon Holder	700613

3.20
Model ER7200
Retrievable Electrical Resistance Probe With Flush Element
 For The High Pressure Two Inch Access Fitting System



Picture is for illustrative purposes only, other access fitting mounting options are available.

The Model ER7200 Flush-Mount, Electrical Resistance Probe is a fixed-length probe for use with the two inch access fitting system in high pressure and high temperature applications.

These probes are ideally suited for applications where the probe element needs to be flush with the wall of the pipe.

The probe assembly consists of an insertion rod with an element, a hermetically sealed six pin connector and a pipe plug with the industry standard 1-14 UNS 2A LH thread.

The pipe plug on the probe screws into the hollow plug nut of the access system. This allows the probe to be installed in the process, using a retriever tool and service valve, without process shutdown.

The insertion length (I.L.) can range from a minimum of 1.75" up to any length specified by the customer in 1/8" increments.

Several standard elements are available to meet your specific needs. Probe adaptors are available and must be ordered separately.

Specifications	
Probe Body	316 Stainless Steel
Element Seal	Epoxy
Fill Material	Epoxy
Temperature Rating	260°C / 500°F
Pressure Rating	3600 PSI / 245 Barg
Mounting	Two Inch Access Fitting System With Hollow Plug

3.20

Model ER7200

Retrievable Electrical Resistance Probe With Flush Element

For The High Pressure Two Inch Access Fitting System



Model ER7200 Ordering Product Code Generation									
HR	Electrical Resistance Probe For Use With The Two Inch Access Fitting System								
	Mounting Material								
	2	316							
	3	C276							
		Connector Type							
	1	Small Connector							
	2	Standard Connector							
		E/R Element Options							
	A	S4 Flush Mount - 4 mil thickness (2 mil useful probe life)							
	B	S8 Flush Mount - 8 mil thickness (4 mil useful probe life)							
	H	S20 Flush Mount - 20 mil thickness (10 mil useful probe life)							
		Seal Type							
	3	Epoxy							
		Length (calculated length rounded down to 1/8 inch increment)							
		XXXX	Length in inches, in 2 decimal place format (e.g. 7.25 inches = 0725)						
			Element Alloy						
		XXX	Use Code in Alloy Chart						
			E/R Probe Options						
		00	No Shield						
			Probe Seal Options						
		01	PTFE						
		02	PEEK						
HR	2	2	B	3	0725	375	00	01	Example of Probe Ordering Product Code

Probe Element Alloy Chart					
Code	Description	UNS#	Code	Description	UNS#
375	C1010 Carbon Steel*	G10100	159	316L S.S	S31603
538	5Cr 1/2Mo	K42544	A12	C276	N10276
541	9Cr 1Mo	K90941	602	Alloy 625	N06625
186	410 S.S	S41000	419	CDA110	C11000
141	304 S.S	S30400	434	CDA443	C44300

*Chemically equivalent to standard pipe grade carbon steels

Note: Not all alloys are available with all element types and seals.

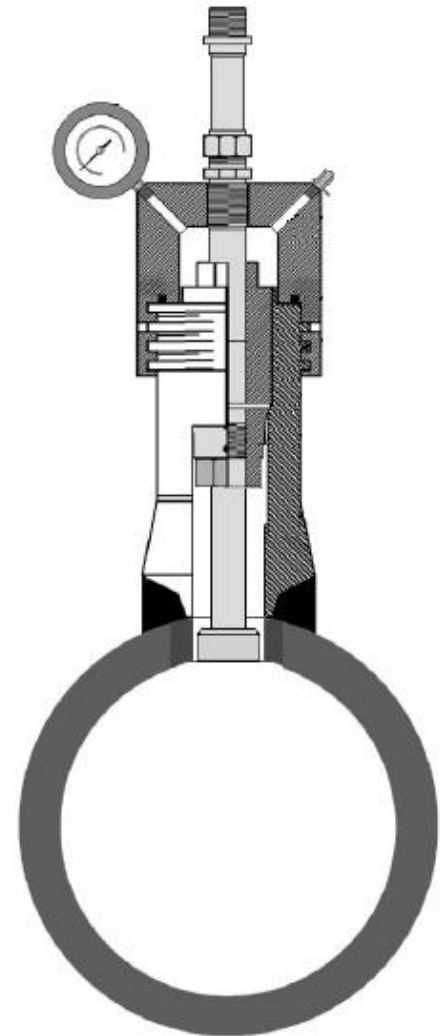
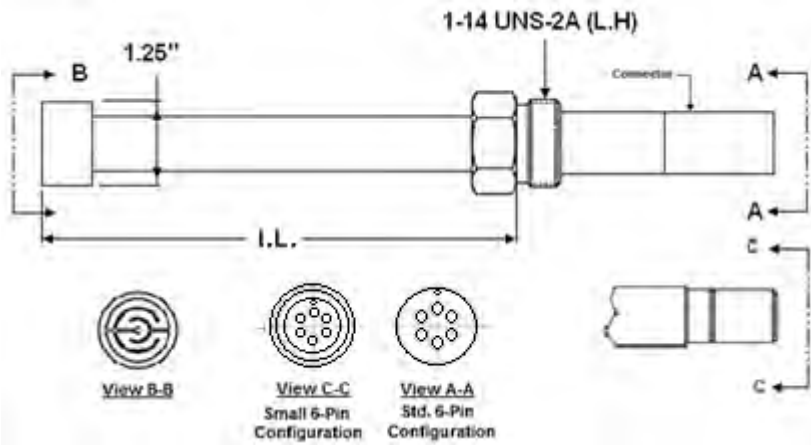
For alloys, sizes, or other special requirements not listed, please contact our sales department.

Electrical Resistance Probe Spare Parts	Product Code
Replacement PTFE Probe Seal (seals probe to hollow plug)	700277
Replacement PEEK Probe Seal (seals probe to hollow plug)	700339
Hollow Plug Bore-Seal Nut, 316 S/S (seals hollow plug when probe is not installed)	700311

3.21

Model ER7210

Retrievable Electrical Resistance Probe With Flush Element For The High Pressure Two Inch Access Fitting System



The Model ER7210 is a fixed-length Flush-Mount, retrievable, electrical resistance probe for use with the two inch access fitting system in high pressure and high temperature applications.

These probes are ideally suited for applications where the probe element needs to be flush with the wall of the pipe.

The probe assembly consists of an insertion rod with an element, a hermetically sealed six pin connector and a pipe plug with the industry standard 1-14 UNS 2A LH thread.

The pipe plug on the probe screws into the hollow plug nut of the access system. This allows the probe to be installed in the process, using a retriever tool and service valve, without process shutdown.

The insertion length (I.L.) can range from a minimum of 1.75" up to any length specified by the customer in 1/8" increments.

Picture is for illustrative purposes only, other access fitting mounting options are available.

Several standard elements are available to meet your specific needs. Probe adaptors are available and must be ordered separately.

Specifications	
Probe Body	316 Stainless Steel
Element Seal	Epoxy
Fill Material	Epoxy
Temperature Rating	260°C / 500°F
Pressure Rating	3600 PSI / 245 Barg
Mounting	Two Inch Access Fitting System With Hollow Plug

3.21

Model ER7210**Retrieval Electrical Resistance Probe With Flush Element**

For The High Pressure Two Inch Access Fitting System



Model ER7210 Ordering Product Code Generation								
HR	Electrical Resistance Probe For Use With The Two Inch Access Fitting System							
	Mounting Material							
	2	316						
	3	C276						
		Connector Type						
	1	Small Connector						
	2	Standard Connector						
		E/R Element Options						
		C3	FL05 Flush Mount - 5 mil thickness (2.5 mil useful probe life)					
		D3	FL10 Flush Mount - 10 mil thickness (5 mil useful probe life)					
		E3	FL20 Flush Mount - 20 mil thickness (10 mil useful probe life)					
		F3	FL40 Flush Mount - 40 mil thickness (20 mil useful probe life)					
			Length (calculated length rounded down to 1/8 inch increment)					
		XXXX	Length in inches, in 2 decimal place format (e.g. 7.25 inches = 0725)					
			Element Alloy					
		XXX	Use Code in Alloy Chart					
			E/R Probe Options					
			00	No Shield				
				Probe Seal Options				
			01	PTFE				
			02	PEEK				
HR	2	2	C3	0725	375	00	01	Example of Probe Ordering Product Code

Probe Element Alloy Chart					
Code	Description	UNS#	Code	Description	UNS#
375	C1010 Carbon Steel*	G10100	159	316L S.S	S31603
538	5Cr 1/2Mo	K42544	A12	C276	N10276
541	9Cr 1Mo	K90941	602	Alloy 625	N06625
186	410 S.S	S41000	419	CDA110	C11000
141	304 S.S	S30400	434	CDA443	C44300

*Chemically equivalent to standard pipe grade carbon steels

Note: Not all alloys are available with all element types and seals.

For alloys, sizes, or other special requirements not listed, please contact our sales department.

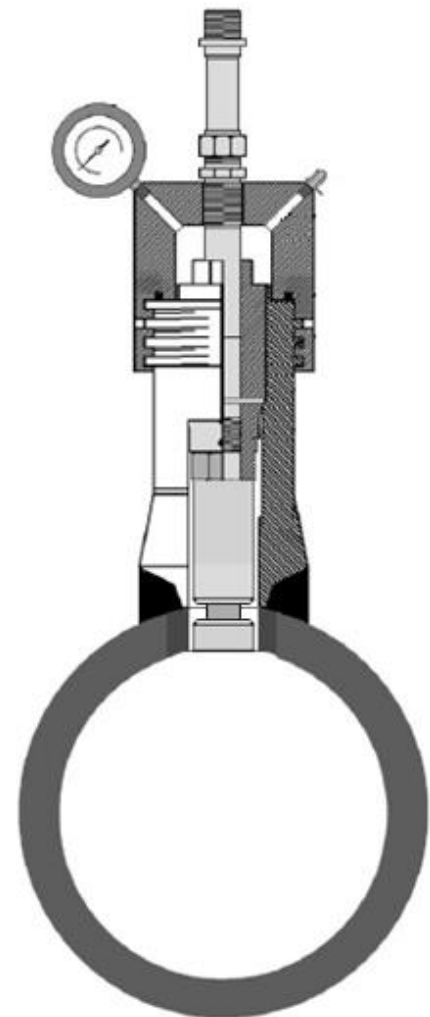
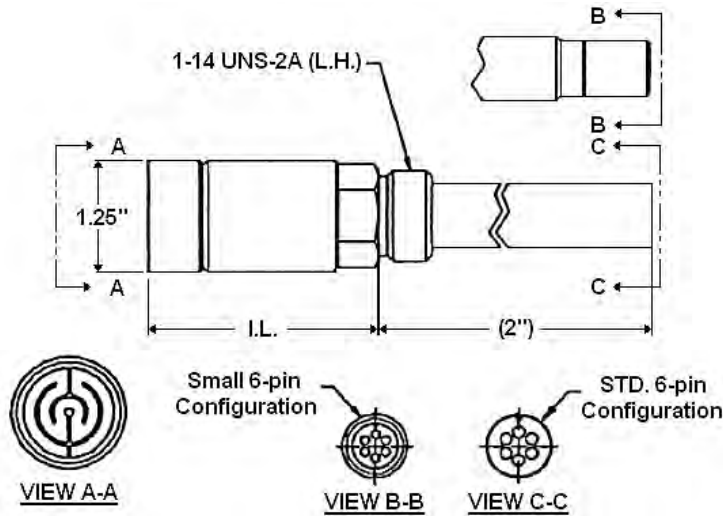
Electrical Resistance Probe Spare Parts	Product Code
Replacement PTFE Probe Seal (seals probe to hollow plug)	700277
Replacement PEEK Probe Seal (seals probe to hollow plug)	700339
Hollow Plug Bore-Seal Nut, 316 S/S (seals hollow plug when probe is not installed)	700311

3.22

Model ER7220

Retrievable Electrical Resistance Probe With Flush Element
Adjustable Length

For The High Pressure Two Inch Access Fitting System



Picture is for illustrative purposes only, other access fitting mounting options are available.

The Model ER7220 is an adjustable-length, flush mount, retrievable, electrical resistance probe for use with the two inch access fitting system in high pressure and high temperature applications.

These probes are ideally suited for applications where the probe element needs to be flush with the wall of the pipe to prevent any obstructions.

The probe assembly consists of an insertion rod with an element, a hermetically sealed six pin connector and a pipe plug with the industry standard 1-14 UNS 2A LH thread.

The pipe plug on the probe screws into the hollow plug nut of the access fitting system. This allows the probe to be installed in the process, using a retriever tool and service valve, without process shutdown.

The adjustable flush element allows for a total adjustment of 1".

The insertion length (I.L.) can range from a minimum of 1.75" up to any length in 1" increments (specify lengths over 1.75" as 2", 3", 4", etc.) specified by the customer.

Several standard elements are available to meet your specific needs. Probe adaptors are available and must be ordered separately.

Specifications	
Probe Body	316 Stainless Steel
Element Seal	Epoxy
Fill Material	Epoxy
O-Ring Material	Viton (Other Materials Are Available)
Temperature Rating	260°C / 500°F
Pressure Rating	3600 PSI / 245 Barg
Mounting	Two Inch Access Fitting System With Hollow Plug

3.22

Model ER7220

Retrieval Electrical Resistance Probe With Flush Element

Adjustable Length

For The High Pressure Two Inch Access Fitting System



Model ER7220 Ordering Product Code Generation								
HR	Electrical Resistance Probe For Use With The Two Inch Access Fitting System							
	Mounting Material							
	2	316						
	3	C276						
		Connector Type						
	1	Small Connector						
	2	Standard Connector						
		E/R Element Options						
		C3	FL05 Flush Mount - 5 mil thickness (2.5 mil useful probe life)					
		D3	FL10 Flush Mount - 10 mil thickness (5 mil useful probe life)					
		E3	FL20 Flush Mount - 20 mil thickness (10 mil useful probe life)					
		F3	FL40 Flush Mount - 40 mil thickness (20 mil useful probe life)					
			Length (round calculated length down to the nearest 1 inch increment)					
		XXXX	Length in inches, in 2 decimal place format (e.g. 7 inches = 0700)*					
			Element Alloy					
		XXX	Use Code in Alloy Chart					
			E/R Probe Options					
		AD	No Shield, Adjustable					
			Probe Seal Options					
		01	PTFE					
		02	PEEK					
HR	2	2	C3	0700	375	AD	01	Example of Probe Ordering Product Code

*Note: The order length equates to the shortest length in the adjustment range. For example for a probe with length adjustment of 7 to 8 inch, the order length is 7 inch = 0700

Probe Element Alloy Chart					
Code	Description	UNS#	Code	Description	UNS#
375	C1010 Carbon Steel*	G10100	159	316L S.S	S31603
538	5Cr ½Mo	K42544	A12	C276	N10276
541	9Cr 1Mo	K90941	602	Alloy 625	N06625
186	410 S.S	S41000	419	CDA110	C11000
141	304 S.S	S30400	434	CDA443	C44300

*Chemically equivalent to standard pipe grade carbon steels

Note: Not all alloys are available with all element types and seals.

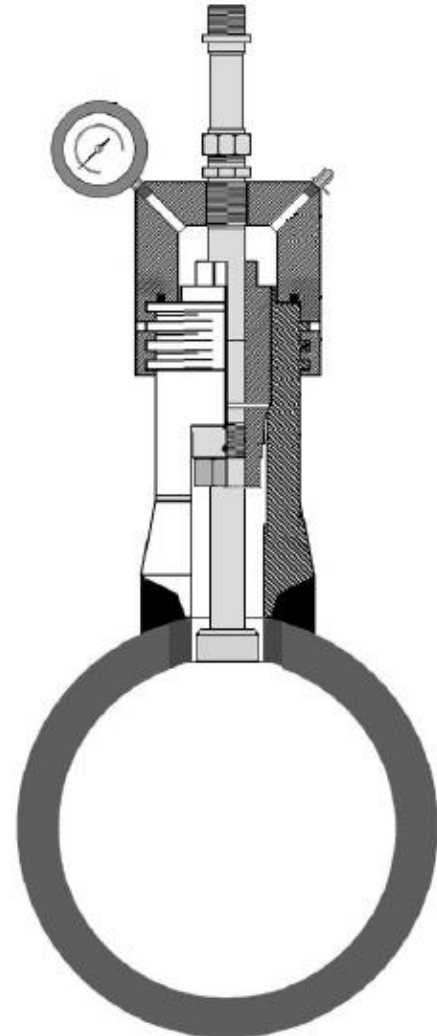
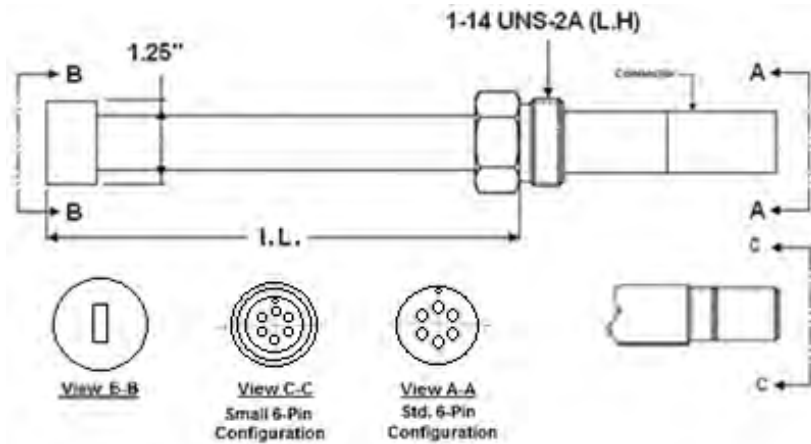
For alloys, sizes, or other special requirements not listed, please contact our sales department.

Electrical Resistance Probe Spare Parts	Product Code
Replacement PTFE Probe Seal (seals probe to hollow plug)	700277
Replacement PEEK Probe Seal (seals probe to hollow plug)	700339
Hollow Plug Bore-Seal Nut, 316 S/S (seals hollow plug when probe is not installed)	700311

3.23

Model ER7230

Retrievable Electrical Resistance Probe With Flush Element For The High Pressure Two Inch Access Fitting System



Picture is for illustrative purposes only, other access fitting mounting options are available.

The Model ER7230 is a fixed-length Flush-Mount, retrievable, electrical resistance probe for use with the two inch access fitting system in high pressure and high temperature applications.

These probes are ideally suited for applications where the probe element needs to be flush with the wall of the pipe.

The ER7230 has been specifically designed to minimize the negative effects of iron sulfide by maximizing the spacing between the sensing element and probe body, thus reducing the possibility of shorting by conductive buildup.

The probe assembly consists of an insertion rod with an element, a hermetically sealed six pin connector and a pipe plug with the industry standard 1-14 UNS 2A LH thread.

The pipe plug on the probe screws into the hollow plug nut of the access system. This allows the probe to be installed in the process, using a retriever tool and service valve, without process shutdown.

The insertion length (I.L.) can range from a minimum of 1.75" up to any length specified by the customer in 1/8" increments.

Several standard elements are available to meet your specific needs. Probe adaptors are available and must be ordered separately.

Specifications	
Probe Body	316 Stainless Steel
Element Seal	Epoxy
Fill Material	Epoxy
Temperature Rating	260°C / 500°F
Pressure Rating	3600 PSI / 245 Barg
Mounting	Two Inch Access Fitting System With Hollow Plug

3.23

Model ER7230

Retrieval Electrical Resistance Probe With Flush Element

For The High Pressure Two Inch Access Fitting System



Model ER7230 Ordering Product Code Generation								
HR	Electrical Resistance Probe For Use With The Two Inch Access Fitting System							
	Mounting Material							
	2	316						
	3	C276						
		Connector Type						
	1	Small Connector						
	2	Standard Connector						
		E/R Element Options						
		A3	FS4 Flush Mount - 4 mil thickness (2 mil useful probe life)					
		B3	FS8 Flush Mount - 8 mil thickness (4 mil useful probe life)					
		H3	FS20 Flush Mount - 20 mil thickness (10 mil useful probe life)					
			Length (calculated length rounded down to 1/8 inch increment)					
		XXXX	Length in inches, in 2 decimal place format (e.g. 7.25 inches = 0725)					
			Element Alloy					
		XXX	Use Code in Alloy Chart					
			E/R Probe Options					
		LH	Large Header					
			Probe Seal Options					
		01	PTFE					
		02	PEEK					
HR	2	2	H3	0725	375	LH	01	Example of Probe Ordering Product Code

Probe Element Alloy Chart					
Code	Description	UNS#	Code	Description	UNS#
375	C1010 Carbon Steel*	G10100	159	316L S.S	S31603
538	5Cr 1/2Mo	K42544	A12	C276	N10276
541	9Cr 1Mo	K90941	602	Alloy 625	N06625
186	410 S.S	S41000	419	CDA110	C11000
141	304 S.S	S30400	434	CDA443	C44300

*Chemically equivalent to standard pipe grade carbon steels

Note: Not all alloys are available with all element types and seals.

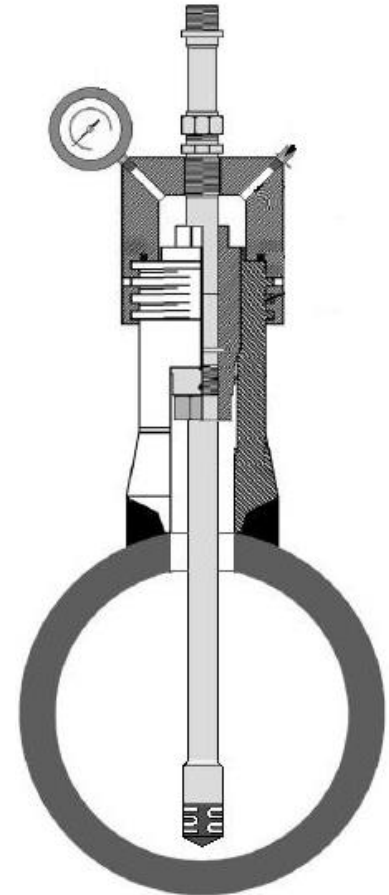
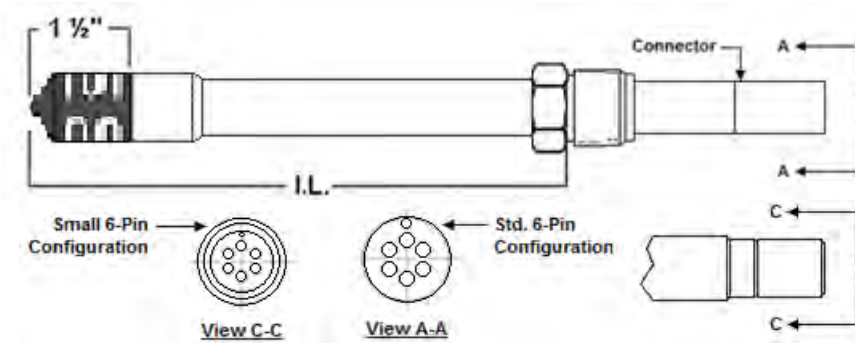
For alloys, sizes, or other special requirements not listed, please contact our sales department.

Electrical Resistance Probe Spare Parts	Product Code
Replacement PTFE Probe Seal (seals probe to hollow plug)	700277
Replacement PEEK Probe Seal (seals probe to hollow plug)	700339
Hollow Plug Bore-Seal Nut, 316 S/S (seals hollow plug when probe is not installed)	700311

3.24

Model ER7300

Retrievable Electrical Resistance Probe With Spiral Loop Element For The High Pressure Two Inch Access Fitting System



Picture is for illustrative purposes only, other access fitting mounting options are available.

The Model ER7300 spiral loop probe is retrievable, electrical resistance probe designed for use with two inch high pressure access fitting system.

The element is a spiral wound strip encased in epoxy. This approach to element construction offers several advantages over other element geometries:

- High intrinsic resistance – provides highly stable readings with low susceptibility to noise.
- High element strength – allows use in very high flow rate regimes such as a gas transmission.
- Wide spacing of element loops – minimises the risk of iron sulphide scaling and bridging.

While the spiral loop is ideally suited to fast flowing, sour systems, its high stability makes it a suitable choice for oil and gas systems.

The probe assembly consists of an insertion rod with an element, a hermetically sealed six pin connector and a pipe plug with the industry standard 1-14 UNS 2A LH thread.

The pipe plug on the probe screws into the hollow plug nut of the access fitting system. This allows the probe to be installed in the process, using a retriever tool and service valve, without process shutdown.

Insertion length (I.L.) can range from a minimum of 3.75 inch up to any length in 1/8 inch increments.

Several standard elements are available to meet your specific needs. Probe adaptors are available and must be ordered separately.

Specifications	
Probe Body	316 Stainless Steel
Element Seal	Epoxy
Fill Material	Epoxy
Temperature Rating	260°C / 500°F
Pressure Rating	3600 PSI / 245 Barg
Mounting	Two Inch Access Fitting System With Hollow Plug

3.24

Model ER7300

Retrieval Electrical Resistance Probe With Spiral Loop Element
For The High Pressure Two Inch Access Fitting System



Model ER7300 Ordering Product Code Generation									
HR	Electrical Resistance Probe For Use With The Two Inch Access Fitting System								
	Mounting Material								
	2	316							
	3	C276							
		Connector Type							
	1	Small Connector							
	2	Standard Connector							
		E/R Element Options							
		K	SP10 Spiral Loop - 10 mil thickness (5 mil useful probe life)						
		L	SP20 Spiral Loop - 20 mil thickness (10 mil useful probe life)						
			Seal Type						
		3	Epoxy						
			Length (calculated length rounded down to 1/8 inch increment)						
			XXXX	Length in inches, in 2 decimal place format (e.g. 7.25 inches = 0725)					
				Element Alloy					
			XXX	Use Code in Alloy Chart					
				E/R Probe Options					
			00	No Shield					
				Probe Seal Options					
			01	PTFE					
			02	PEEK					
HR	2	2	K	3	0725	375	00	01	Example of Probe Ordering Product Code

Probe Element Alloy Chart					
Code	Description	UNS#	Code	Description	UNS#
375	C1010 Carbon Steel*	G10100	159	316L S.S	S31603
538	5Cr 1/2Mo	K42544	A12	C276	N10276
541	9Cr 1Mo	K90941	602	Alloy 625	N06625
186	410 S.S	S41000	419	CDA110	C11000
141	304 S.S	S30400	434	CDA443	C44300

*Chemically equivalent to standard pipe grade carbon steels

Note: Not all alloys are available with all element types and seals.

For alloys, sizes, or other special requirements not listed, please contact our sales department.

Electrical Resistance Probe Spare Parts	Product Code
Replacement PTFE Probe Seal (seals probe to hollow plug)	700277
Replacement PEEK Probe Seal (seals probe to hollow plug)	700339
Hollow Plug Bore-Seal Nut, 316 S/S (seals hollow plug when probe is not installed)	700311

4.0 Linear Polarisation Resistance (LPR) Corrosion Probes



Sub-Section No.

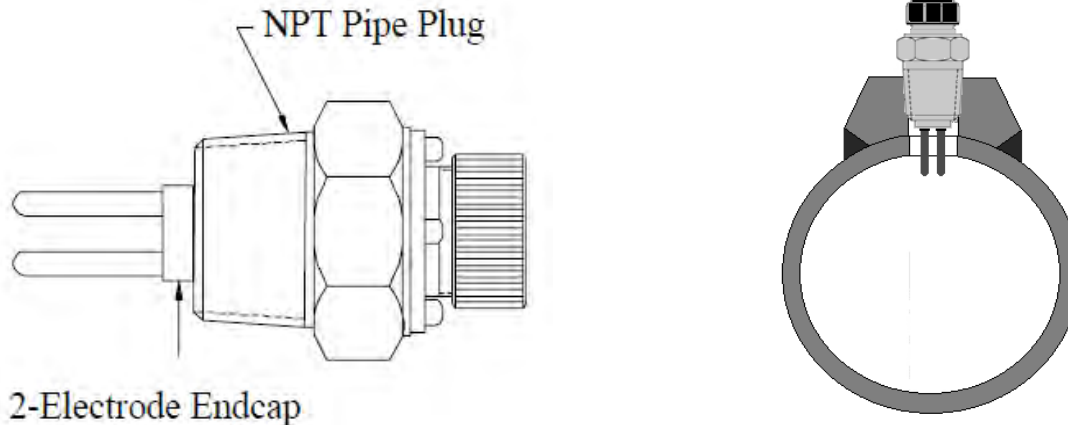
- 4.1 Model LP1000 Direct Mount Probe, Two Electrodes
- 4.2 Model LP1100 Direct Mount Probe, Three Electrodes
- 4.3 Model LP2000 Direct Mount Probe, Two Electrodes
- 4.4 Model LP2100 Direct Mount Probe, Three Electrodes
- 4.5 Model LP3000 Direct Mount Probe, Two Electrodes, Adjustable Length
- 4.6 Model LP3010 Direct Mount Probe, Two Electrodes, Adjustable Length, Non-Metallic Body
- 4.7 Model LP3100 Direct Mount Probe, Three Electrodes, Adjustable Length
- 4.8 Model LP4000 Retractable Probe, Two Electrodes
- 4.9 Model LP4100 Retractable Probe, Three Electrodes
- 4.10 Model LP4300 Retractable Probe, Three Electrodes, CorrTran
- 4.11 Model LP6000 Probe Flanged Probe, Two Electrodes
- 4.12 Model LP6100 Probe Flanged Probe, Three Electrodes
- 4.13 Model LP7000 Retrievable Probe, Two Electrodes
- 4.14 Model LP7100 Retrievable Probe, Three Electrodes
- 4.15 Model LP7210 Retrievable Probe, Three Flush Electrodes
- 4.16 Model EL400, EL412 & EL525 LPR Electrodes

4.1

Model LP1000

Two Electrode Linear Polarisation Resistance Probe

For Direct Mounting Via 1", 1½" or 2" NPT Pipe Plug



The Model LP1000 is a Linear Polarisation Resistance Probe commonly used in Laboratory, bypass-loop, and field applications. The assembly consists of an NPT pipe plug (1 inch, or 1.5 inch or 2 inch), a two-electrode endcap and a six-pin military connector mounted in place. Electrodes are ordered separately. Several standard electrodes are available to meet your specific needs.

Specifications	
Probe Body	316 Stainless Steel, Carbon Steel or C276
Endcap Seal	Glass
Fill Material	Epoxy
Temperature Rating	260°C / 500°F
Pressure Rating	3000psi/ 204 Bar
Mounting	1 inch, 1½ inch, or 2 inch NPT Pipe Plug

Model LP1000 Ordering Product Code Generation				
LP13	Linear Polarisation 1 inch NPT Pipe Plug Probe			
LP16	Linear Polarisation 2 inch NPT Pipe Plug Probe			
LP17	Linear Polarisation 1½ inch NPT Pipe Plug Probe			
	Probe Body Material			
	2	316		
	3	C.S.		
	4	C276		
		LP Electrode Options		
		20100	Two-electrode integral type with glass seal	
			Options	
		000	None	
LP13	2	20100	000	Example of Probe Ordering Product Code

Note: For alloys, sizes, or other special requirements not listed, please contact our sales department.

LPR Electrodes

LPR probe electrodes are replaceable and are sold separately.

The LP1000 LPR probe utilises EL400XXX2800000 electrodes.

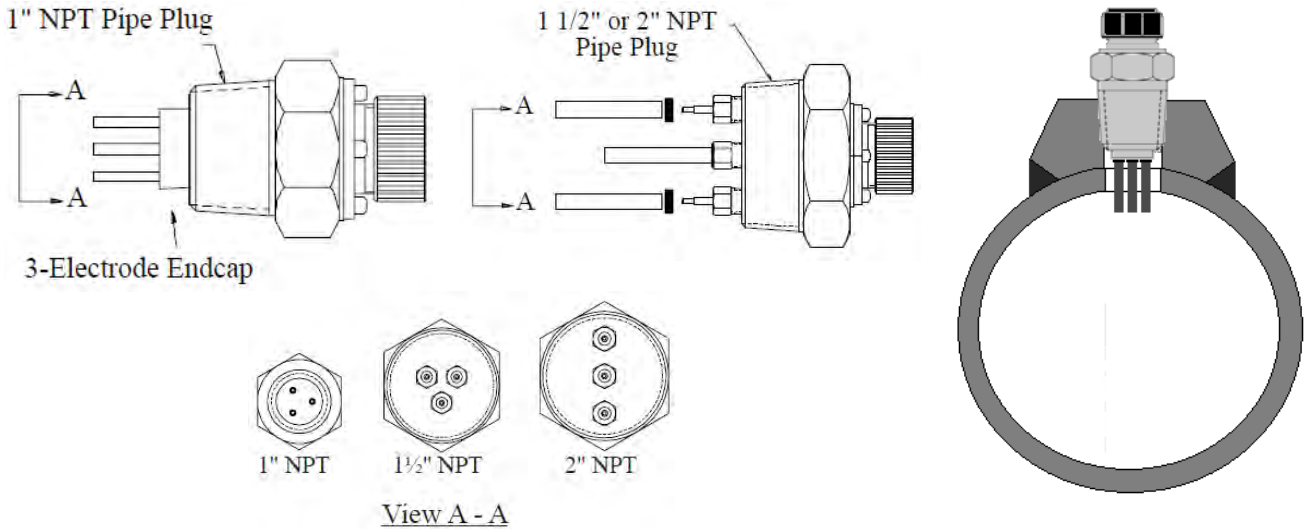
Please see RCSL's product data sheet for LPR electrodes for ordering information.

4.2

Model LP1100

Three Electrode Linear Polarisation Resistance Probe

For Direct Mounting Via 1", 1½" or 2" NPT Pipe Plug



The Model LP1100 is a linear polarisation resistance probe commonly used in laboratory, bypass-loop, and field applications. The assembly consists of a 1 inch, 1 ½ inch, or 2 inch NPT pipe plug and a five-pin military connector mounted in place. Replaceable mounting studs can be ordered with 1 1/2" and 2" pipe plugs. Electrodes are ordered separately. Several standard electrodes are available to meet your specific needs.

Specifications	
Probe Body	316 Stainless Steel
Endcap Seal	Glass
Fill Material	Epoxy
Temperature Rating	260°C / 500°F
Pressure Rating	3000psi / 204 Bar
Mounting	1 inch, 1 ½ inch, or 2 inch NPT Pipe Plug

Model LP1100 Ordering Product Code Generation				
LP13	Linear Polarisation 1 inch NPT Pipe Plug Probe (LP13 cannot be used with replaceable mounting studs)			
LP16	Linear Polarisation 2 inch NPT Pipe Plug Probe			
LP17	Linear Polarisation 1.5 inch NPT Pipe Plug Probe			
	Probe Body Material			
	02	316		
	03	C.S.		
	04	C276		
		LP Electrode Options		
	10	Three-electrode plug type (replaceable mounting studs)		
	30	Three-electrode integral type (non-replacement mounting studs)		
		Seal Type		
		100	Glass	
			Options	
		000	None	
LP13	02	30	100	000 Example of Probe Ordering Product Code

Note: For alloys, sizes, or other special requirements not listed, please contact our sales department.

4.2

Model LP1100

Three Electrode Linear Polarisation Resistance Probe

For Direct Mounting Via 1", 1½" or 2" NPT Pipe Plug



LPR Electrodes

LPR probe electrodes are replaceable and are sold separately.

The LP1100 LPR probe utilises EL412XXX2800000 electrodes. Note that these electrodes vary in length by material, this should be considered when calculating the probe length.

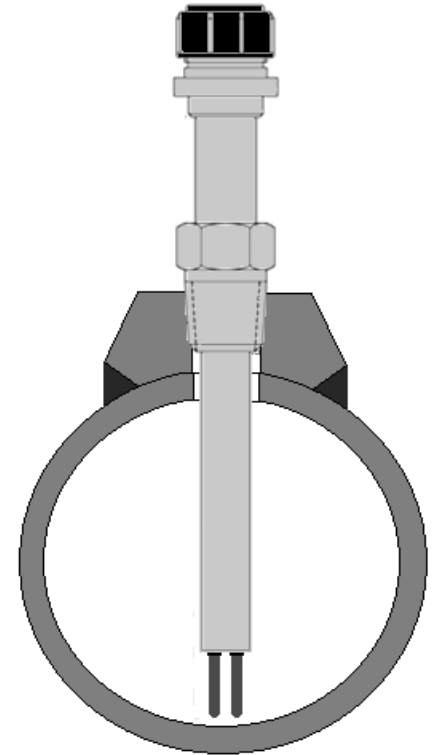
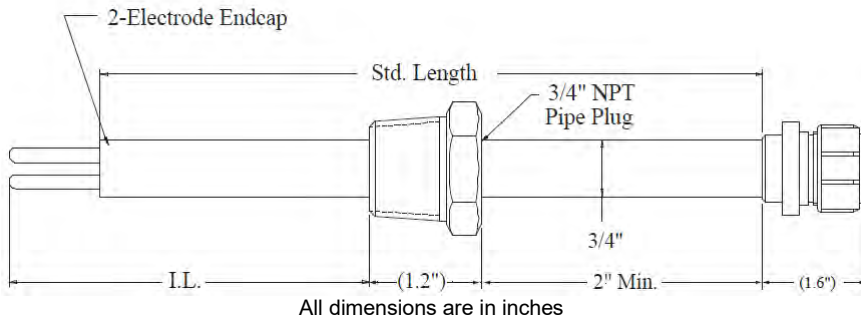
Please see RC SL's product data sheet for LPR electrodes for ordering information.

4.3

Model LP2000

Two Electrode Linear Polarisation Resistance Probe

For Direct Mounting Via 3/4", or 1" NPT Pipe Plug



The Model LP2000 is a fixed-length, linear polarisation resistance probe with a 3/4" or 1" NPT pipe plug. The probe requires process isolation or process shutdown to install and a threaded pipe fitting to mount.

The probe assembly consists of an insertion rod with a two-electrode endcap, a hermetically sealed connector and an NPT pipe plug which are all welded in place.

The insertion length (I.L.) is calculated to the end of the electrode and can be specified by the customer. For standard probes, the maximum insertion length is given in the chart below.

Electrodes are ordered separately. Several standard electrodes are available to meet your specific needs.

Specifications				
Probe Body	316 Stainless Steel or C276		Order Length	I.L. (max)
Endcap Seal	Glass		6"	4.05"
Fill Material	Epoxy		8"	5.05"
Temperature Rating	260°C / 500°F		12"	10.05"
Pressure Rating	3000psi / 204 Bar		18"	16.05"
Mounting	3/4" or 1" NPT Pipe Plug			

4.3

Model LP2000

Two Electrode Linear Polarisation Resistance Probe

For Direct Mounting Via 3/4", or 1" NPT Pipe Plug



Model LP2000 Ordering Product Code Generation							
LP2	Linear Polarisation Fixed Length Pipe Plug Probe						
	Pipe Plug Size						
	2	3/4 inch NPT					
	3	1 inch NPT					
		Probe Body Material					
	22	316					
	44	C276					
		LP Electrode Options					
		20	Two-electrode integral type				
			Seal Type				
			1	Glass			
				Length			
				06	4.05 inch max. insertion length		
				08	6.05 inch max. insertion length		
				12	10.05 inch max. insertion length		
				18	16.05 inch max. insertion length		
					Options		
					000	None	
LP2	02	22	20	1	08	000	Example of Probe Ordering Product Code

Note: For alloys, sizes, or other special requirements not listed, please contact our sales department.

LPR Electrodes

LPR probe electrodes are replaceable and are sold separately.

The LP2000 LPR probe utilises EL400XXX2800000 electrodes.

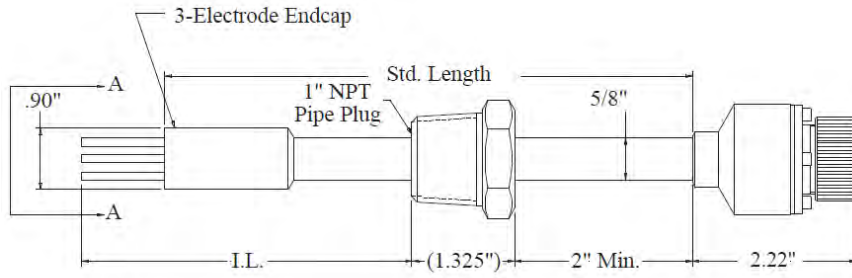
Please see RCSL's product data sheet for LPR electrodes for ordering information.

4.4

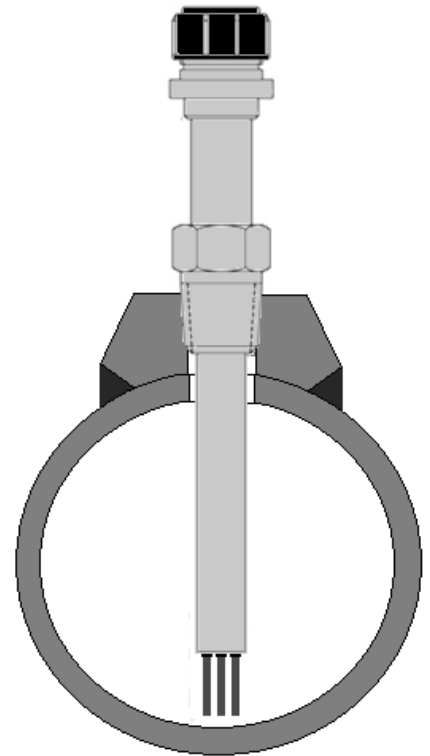
Model LP2100

Three Electrode Linear Polarisation Resistance Probe

For Direct Mounting Via 1" NPT Pipe Plug



All dimensions are in inches



The Model LP2100 is a fixed-length, linear polarisation resistance probe with a 1" NPT pipe plug.

The probe requires process isolation or process shutdown to install and a threaded pipe fitting to mount.

The probe assembly consists of an insertion rod with a three-electrode endcap, a 1" NPT pipe plug and a five-pin military connector mounted in place.

The insertion length (I.L.) is calculated to the end of the electrode and can be specified by the customer. For standard probes, the maximum insertion length is given in the chart below. This maximum I.L. is based on the length of a carbon steel electrode. Electrode lengths may vary depending on the alloy.

Electrodes are ordered separately.

Specifications				
Probe Body	316 Stainless Steel or C276		Order Length	I.L. (max)
Endcap Seal	Glass		8"	5.92"
Fill Material	Epoxy		12"	9.92"
Temperature Rating	260°C / 500°F		18"	15.92"
Pressure Rating	3000psi / 204 Bar			
Mounting	1" NPT Pipe Plug			

4.4

Model LP2100

Three Electrode Linear Polarisation Resistance Probe

For Direct Mounting Via 1" NPT Pipe Plug



Model LP2100 Ordering Product Code Generation							
LP2	Linear Polarisation Fixed Length Pipe Plug Probe						
Pipe Plug Size							
	3	1 inch NPT					
Probe Body Material							
	22	316					
LP Electrode Options							
		10	Three-electrode plug type				
		30	Three-electrode integral type				
Seal Type							
		1	Glass				
Length							
			08	5.92 inch max. insertion length			
			12	9.92 inch max. insertion length			
			18	15.92 inch max. insertion length			
Options							
			000	None			
LP2	3	22	30	1	08	000	Example of Probe Ordering #

For alloys, sizes, or other special requirements not listed, please contact our sales department.

LPR Electrodes

LPR probe electrodes are replaceable and are sold separately.

The LP2100 LPR probe utilises EL412XXX2800000 electrodes. Note that these electrodes vary in length by material, this should be considered when calculating the probe length.

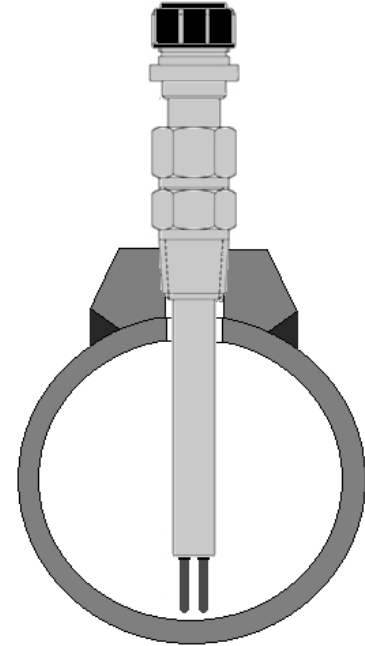
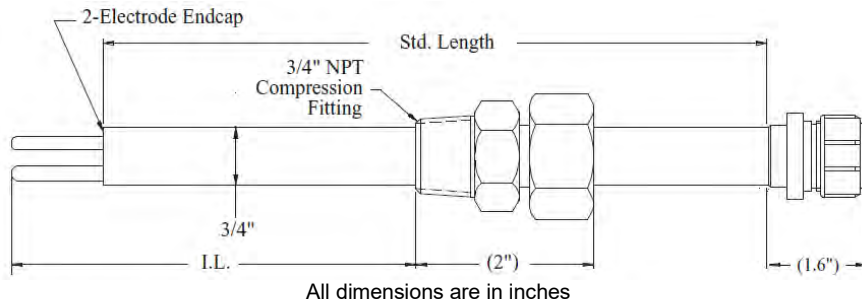
Please see RCSL's product data sheet for LPR electrodes for ordering information.

4.5

Model LP3000

Adjustable Two Electrode Linear Polarisation Resistance Probe

For Direct Mounting Via 3/4" or 1" NPT Pipe Plug



The Model LP3000 is a linear polarization resistance probe commonly used in laboratory, bypass-loop, and field applications.

The assembly consists of a 3/4" NPT compression fitting, an insertion rod with a hermetically sealed two-electrode endcap, and a six-pin connector welded in place.

The insertion length (I.L.) is calculated to the end of the electrode and can be specified by the customer. For standard probes, the maximum insertion length is given in the chart below.

Electrodes are ordered separately. Several standard electrodes are available to meet your specific needs.

Specifications			
Probe Body	316 Stainless Steel	Order Length	I.L. (max)
Endcap Seal	Glass	6"	5.25"
Fill Material	Epoxy	8"	7.25"
Temperature Rating	260°C / 500°F	12"	11.25"
Pressure Rating	1500psi / 102 Bar	18"	17.25"
Mounting	3/4" or 1" NPT Pipe Plug		

Model LP3000 Ordering Product Code Generation							
LP3	Linear Polarisation Adjustable Length Pipe Plug Probe						
	Pipe Plug Size						
	2	3/4 inch NPT					
	3	1 inch NPT					
	Probe Body Material						
	22	316					
	LP Electrode Options						
		20	Two-electrode integral type				
	Seal Type						
		1	Glass				
	Length						
		6	5.25 inch max. insertion length				
		8	7.25 inch max. insertion length				
		12	11.25 inch max. insertion length				
		18	17.25 inch max. insertion length				
	Options						
		000	None				
LP3	2	22	20	1	8	000	Example of Probe Ordering Product Code

Note: For alloys, sizes, or other special requirements not listed, please contact our sales department.

4.5

Model LP3000

Adjustable Two Electrode Linear Polarisation Resistance Probe

For Direct Mounting Via $\frac{3}{4}$ " or 1" NPT Pipe Plug



LPR Electrodes

LPR probe electrodes are replaceable and are sold separately.

The LP3000 LPR probe utilises EL400XXX2800000 electrodes.

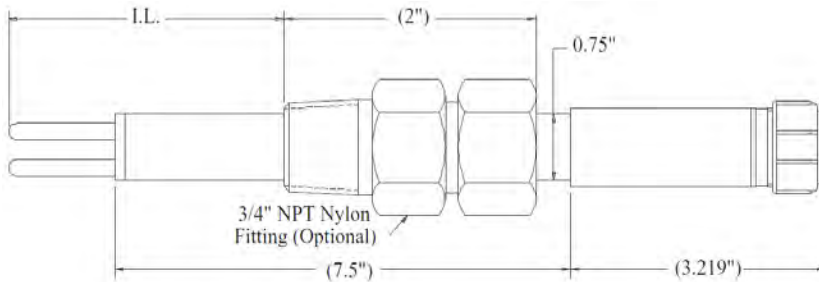
Please see RCSSL's product data sheet for LPR electrodes for ordering information.

4.6

Model LP3010

Adjustable Two Electrode Linear Polarisation Resistance Probe

For Direct Mounting Via 3/4" Pipe Plug



All dimensions are in inches

The Model LP3010 is a linear polarization resistance probe commonly used in laboratory, bypass-loop, and field applications.

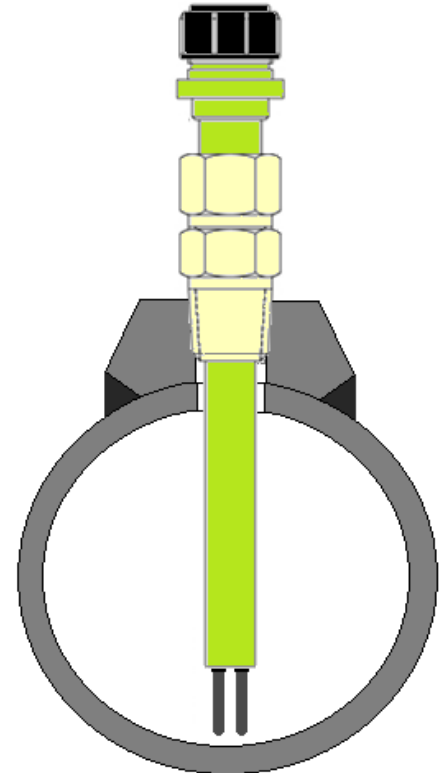
The probe (with additional instrumentation) can be used to monitor corrosion rates, evaluate materials, and screen corrosion inhibitors.

The assembly consists of a glass epoxy probe with an optional 3/4" NPT nylon compression fitting for insertion into the system.

The studs for mounting the electrodes and the six-pin connector are held in place by the epoxy fill material.

The maximum insertion length (I.L.) is 6.75" when the compression fitting is used and 8.75" when the fitting is not used.

Electrodes are ordered separately.



Specifications	
Probe Body	Glass Epoxy
Endcap Seal	Epoxy
Fill Material	Epoxy
Temperature Rating (with Nylon compression fitting) (without Nylon compression fitting)	65°C / 150°F 150°C / 300°F
Pressure Rating	100psi / 7 Bar
Mounting	3/4 inch Pipe Plug

4.6

Model LP3010

Adjustable Two Electrode Linear Polarisation Resistance Probe

For Direct Mounting Via 3/4" Pipe Plug



Model LP3010 Ordering Product Code Generation								
LP3	Linear Polarisation Adjustable Length Pipe Plug Probe							
LP0	Linear Polarisation Insertion Rod							
	Pipe Plug Size							
	0	N/A (when ordering only Insertion Rod – LP0)						
	2	3/4 inch NPT						
		Probe Body Material						
	7	Epoxy						
		Mount (Pipe Plug) Material						
		0	N/A (when ordering only Insertion Rod – LP0)					
		E	Nylon					
			LP Electrode Options					
			20	Two-electrode integral type				
				Seal Type				
				3	Epoxy			
					Length			
					11	11 inch		
						Options		
						000	None	
LP3	2	7	E	20	3	11	000	Example of Probe Ordering Product Code

LPR Electrodes

LPR probe electrodes are replaceable and are sold separately.

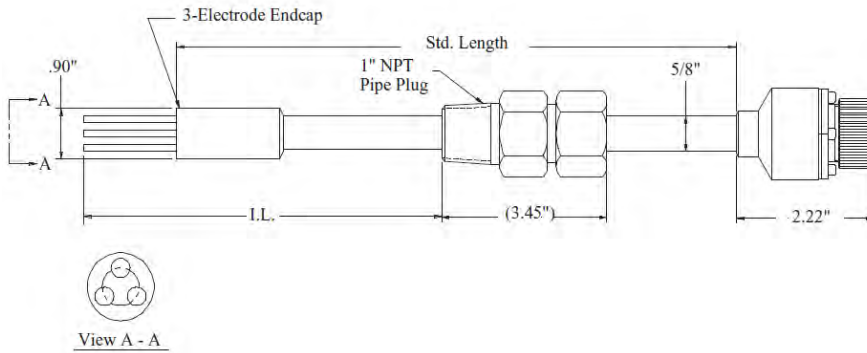
The LP3010 LPR probe utilises EL400XXX2800000 electrodes.

Please see RCSL's product data sheet for LPR electrodes for ordering information.

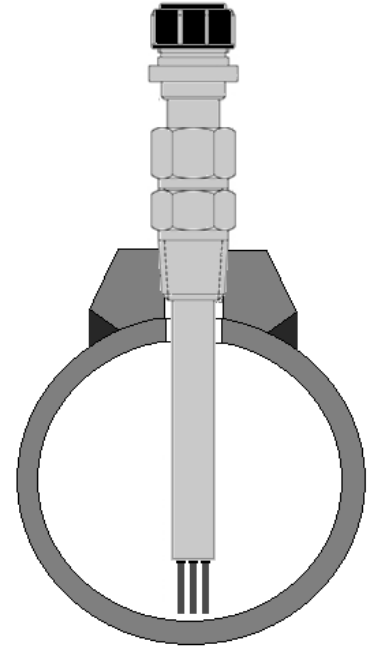
4.7

Model LP3100

Adjustable Three Electrode Linear Polarisation Resistance Probe For Direct Mounting Via 1" NPT Pipe Plug



All dimensions are in inches



The Model LP3100 is a linear polarisation resistance probe commonly used in laboratory, bypass-loop, and field applications.

The assembly consists of a 1" NPT compression fitting, an insertion rod with a hermetically sealed three-electrode endcap, and a five-pin military connector mounted in place.

The insertion length (I.L.) is calculated to the end of the electrode and can be specified by the customer. For standard probes, the maximum insertion length is given in the chart below.

This maximum I.L. is based on the length of a carbon steel electrode. Electrode lengths may vary depending on the alloy.

Electrodes are ordered separately. Several standard electrodes are available to meet your specific needs.

Specifications				
Probe Body	316 Stainless Steel		Order Length	I.L. (max)
Endcap Seal	Glass		8"	5.8"
Fill Material	Epoxy		12"	9.8"
Temperature Rating	260°C / 500°F		18"	15.8"
Pressure Rating	1500psi / 102 Bar			
Mounting	1" NPT Pipe Plug			

4.7

Model LP3100

Adjustable Three Electrode Linear Polarisation Resistance Probe

For Direct Mounting Via 1" NPT Pipe Plug



Model LP3100 Ordering Product Code Generation							
LP3	Linear Polarisation Adjustable Length Pipe Plug Probe						
	Pipe Plug Size						
	3	1 inch NPT					
		Probe Body Material					
		22	316				
			LP Electrode Options				
			10	Three-electrode plug type			
			30	Three-electrode integral type			
				Seal Type			
				1	Glass		
					Length		
					08	5.8 inch max. insertion length	
					12	9.8 inch max. insertion length	
					18	15.8 inch max. insertion length	
						Options	
						000	None
LP3	3	22	30	1	08	000	Example of Probe Ordering Product Code

Note: For alloys, sizes, or other special requirements not listed, please contact our sales department.

LPR Electrodes

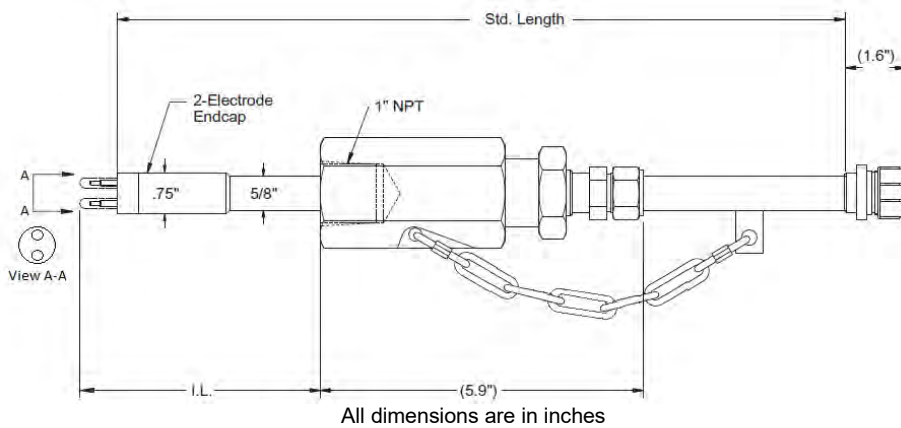
LPR probe electrodes are replaceable and are sold separately.

The LP3100 LPR probe utilises EL412XXX2800000 electrodes. Note that these electrodes vary in length by material, this should be considered when calculating the probe length.

Please see RCSL's product data sheet for LPR electrodes for ordering information.



4.8 Model LP4000 Retractable Two Electrode Linear Polarisation Resistance Probe For The Low Pressure Retractable System

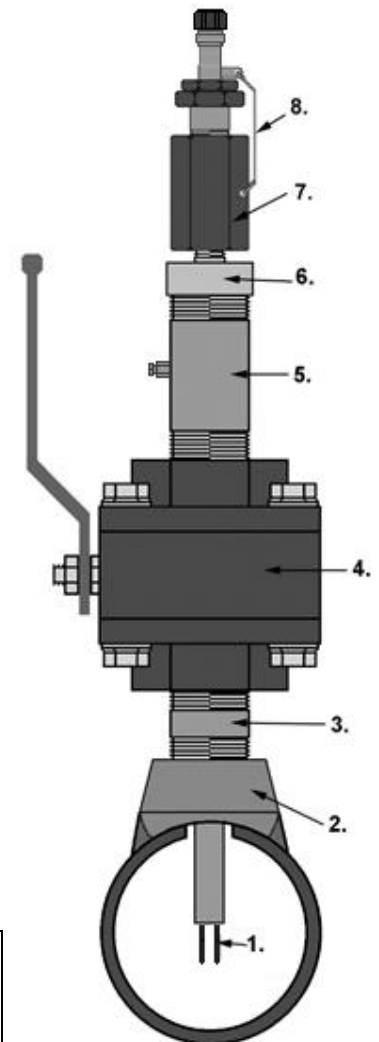


The Model LP4000 is a retractable, linear polarisation resistance probe commonly used in field and plant applications. A specially designed packing gland is used with the probe for insertion into or retraction from a pressurised system without a process shutdown.

The probe is designed to mount easily on a 1" piping system, but it can be modified for your specific mounting requirements.

The probe assembly consists of a packing gland, an insertion rod with a hermetically sealed three-electrode endcap, and a hermetically sealed six-pin connector.

The retractable design allows the probe to be installed into and removed from a pressurised system without a process shutdown and it allows the insertion length (I.L.) to be adjusted by the installer.



Picture is for illustrative purposes only, flanged connection is also available

Key	
1 – Probe Electrodes	5 – TBE Pipe Nipple (usually fitted with bleed valve)
2 – Thredo-let (flanged connection is available)	6 – Thread adaptor (if required)
3 – TBE Pipe Nipple	7 – Packing gland
4 – Full Bore Ball Valve (flanged connection is available)	8 – Safety chain
	Items 1-6 are supplied separately from the LP4000

The packing system features a built-in mechanical stop to secure the rod in place during service. The system also utilises an adjustable safety chain system which serves as an additional mechanical stop and eliminates the need for cumbersome safety frames in most cases.

A variety of probe lengths are available to meet your specific needs (see Ordering Information). Electrodes are available in a wide variety of alloys and are sold separately (see Optional Accessories).

Specifications			
Probe Body Material	316 Stainless Steel or C276*	Order Length	I.L. (max)
End Cap Seal	Glass	24"	17.53"
Fill Material	Epoxy	30"	23.53"
Packing Material	Teflon® (standard) or Grafoil	36"	29.53"
Temperature Rating	260°C / 500°F Teflon®	42"	35.53"
Pressure Rating	2000 PSI / 138 Barg**		
Mounting	Minimum 1" Full Bore Valve		

* Other material options are available

** Easy Tool (Product Code: SR2159-ERXX) is recommended for insertion or retraction in systems with pressure over 150 psi

4.8

Model LP4000

Retractable Two Electrode Linear Polarisation Resistance Probe
For The Low Pressure Retractable System



Model LP4000 Ordering Product Code Generation						
LP45	Linear Polarisation 1 inch Female NPT Probe, Packing Gland with Teflon®					
LP75	Linear Polarisation 1 inch Female NPT Probe, Packing Gland with Grafoil®					
Probe Body Material						
	22	316				
	44	C276				
LP Electrode Options						
		20	Two-electrode integral type			
Seal Type						
			1	Glass		
Length						
			24	17.53 inch max. insertion length		
			30	23.53 inch max. insertion length		
			36	29.53 inch max. insertion length		
			42	35.53 inch max. insertion length		
Options						
				000	None	
LP45	22	20	1	24	000	Example of Probe Ordering Product Code

Note: For alloys, sizes, or other special requirements not listed, please contact our sales department.

LPR Electrodes

LPR probe electrodes are replaceable and are sold separately.

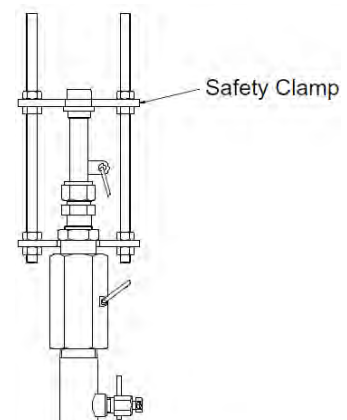
The LP4000 LPR probe utilises EL400XXX2800000 electrodes.

Please see RCSL's product data sheet for LPR electrodes for ordering information.

Safety Clamp

Safety clamps are available separately, these provide additional support to the packing gland and safety chain to control the positioning of the coupons within the pipe.

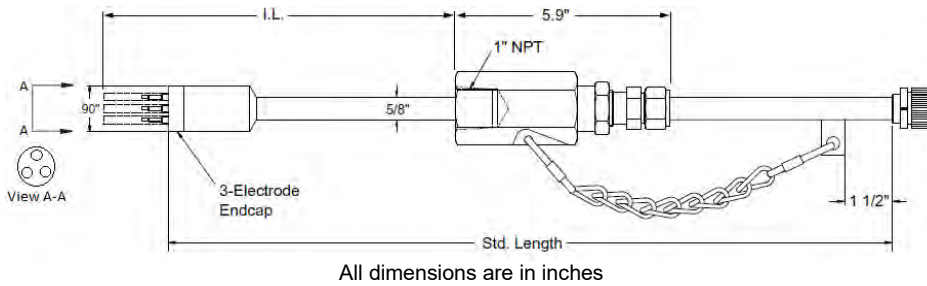
Safety Clamp Assembly Product Code:	
PS5463141XX	Replace XX with Length, e.g. PS546314124



4.9

Model LP4100

Retractable Three Electrode Linear Polarisation Resistance Probe For The Low Pressure Retractable System



The Model LP4100 is a retractable, linear polarization resistance probe commonly used in field and plant applications

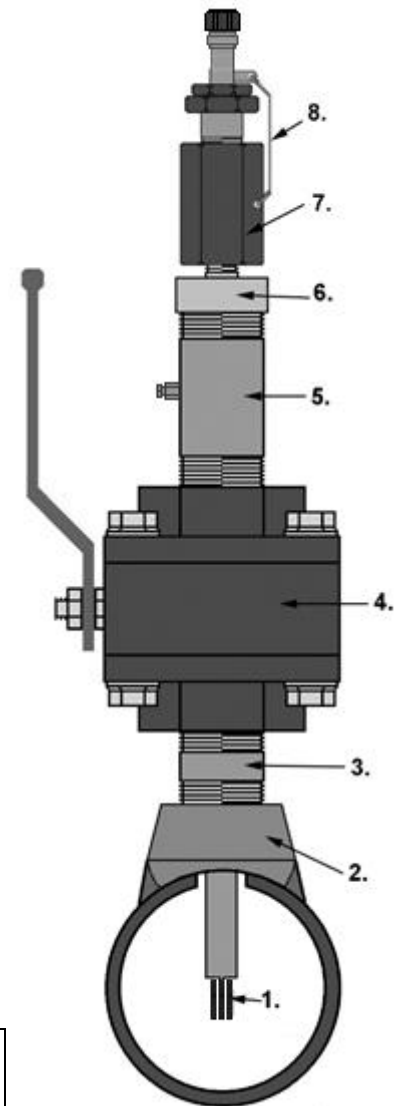
The probe is designed to mount easily on a 1" piping system, but it can be modified for your specific mounting requirements.

The probe assembly consists of a packing gland, an insertion rod with a hermetically sealed three-electrode endcap, and a hermetically sealed six-pin connector.

The retractable design allows the probe to be installed into and removed from a pressurised system without a process shutdown and it allows the insertion length (I.L.) to be adjusted by the installer.

The packing system features a built-in mechanical stop to secure the rod in place during service. The system also utilises an adjustable safety chain system which serves as an additional mechanical stop and eliminates the need for cumbersome safety frames in most cases.

A variety of probe lengths are available to meet your specific needs (please see the ordering information on the next page).



Picture is for illustrative purposes only, flanged connection is also available

Key	
1 – Probe Electrodes	5 – TBE Pipe Nipple (usually fitted with bleed valve)
2 – Thredo-let (flanged connection is available)	6 – Thread adaptor (if required)
3 – TBE Pipe Nipple	7 – Packing gland
4 – Full Bore Ball Valve (flanged connection is available)	8 – Safety chain
Items 1-6 are supplied separately from the LP4100	

Electrodes are available in a wide variety of alloys and are sold separately. Please note that the electrodes for use with this probe vary in length by material, please review RCSSL's LPR Electrode data sheet for more information.

Specifications			
Probe Body Material	316 Stainless Steel or C276	Order Length	I.L. (max)
End Cap Seal	Glass	24"	17.53"
Fill Material	Epoxy	30"	23.53"
Packing Material	Teflon® (standard) or Grafoil	36"	29.53"
Temperature Rating	260°C / 500°F Teflon®	42"	35.53"
Pressure Rating	2000 PSI / 138 Barg**		
Mounting	Minimum 1" Full Bore Valve		

* Other material options are available

** Easy Tool (Product Code: SR2159-ERXX) is recommended for insertion or retraction in systems with pressure over 150 psi

4.9

Model LP4100

Retractable Three Electrode Linear Polarisation Resistance Probe

For The Low Pressure Retractable System



Model LP4100 Ordering Product Code Generation						
LP45	Linear Polarisation 1 inch Female NPT Probe, Packing Gland w/ Teflon® (for integral type)					
LP75	Linear Polarisation 1 inch Female NPT Probe, Packing Gland w/ Grafoil® (for integral type)					
LPB7	Linear Polarisation 1 inch Female NPT Probe, Packing Gland w/ Teflon® (for plug type)					
LPC7	Linear Polarisation 1 inch Female NPT Probe, Packing Gland w/ Grafoil® (for plug type)					
Probe Body Material						
	22	316				
	44	C276				
LP Electrode Options						
		30	Three-electrode integral type			
Seal Type						
			1	Glass		
Length						
			24	17.53 inch max. insertion length		
			30	23.53 inch max. insertion length		
			36	29.53 inch max. insertion length		
			42	35.53 inch max. insertion length		
Options						
				000	None	
LP45	22	30	1	24	000	Example of Probe Ordering Product Code

Note: For alloys, sizes, or other special requirements not listed, please contact our sales department.

LPR Electrodes

LPR probe electrodes are replaceable and are sold separately.

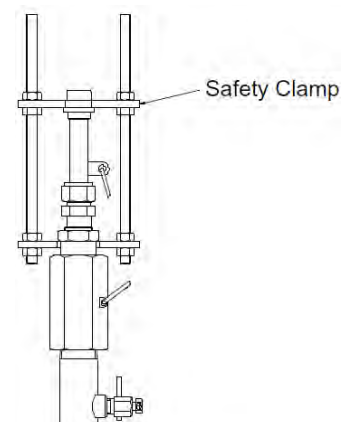
The LP4100 LPR probe utilises EL412XXX2800000 electrodes. Note that these electrodes vary in length by material, this should be considered when calculating the probe length.

Please see RCSL's product data sheet for LPR electrodes for ordering information.

Safety Clamp

Safety clamps are available separately, these provide additional support to the packing gland and safety chain to control the positioning of the coupons within the pipe.

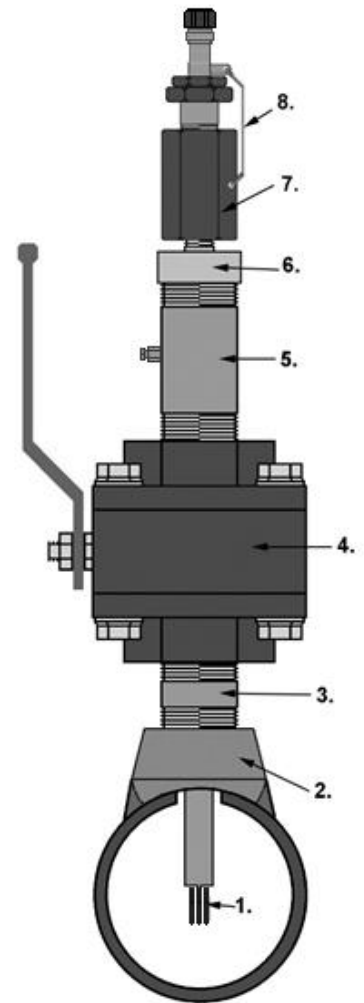
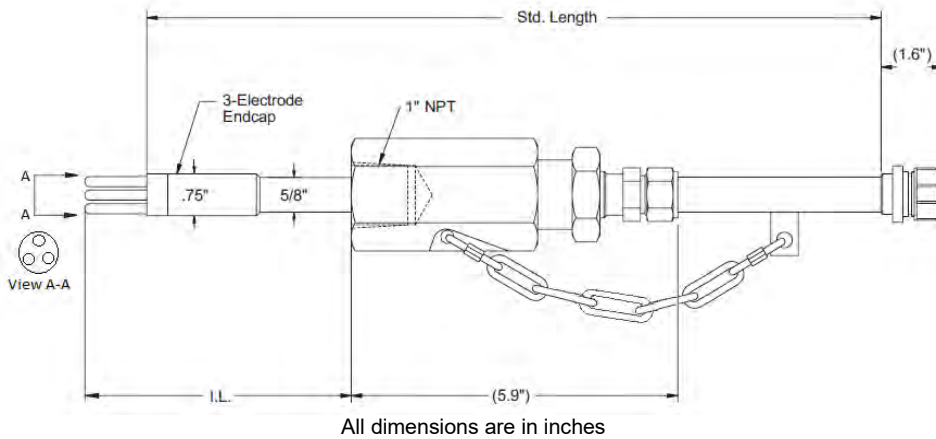
Safety Clamp Assembly Product Code:	
PS5463141XX	Replace XX with Length, e.g. PS546314124



4.10

Model LP4300

Retractable Three Electrode Linear Polarisation Resistance Probe For The Low Pressure Retractable System



Picture is for illustrative purposes only, flanged connection is also available

The Model LP4300 is a retractable, linear polarisation resistance probe specifically designed for use with CorrTran and SmartCET style instruments.

The probe is designed to mount easily on a 1" piping system, but it can be modified for your specific mounting requirements.

The probe assembly consists of a packing gland, an insertion rod with a hermetically sealed three-electrode endcap, and a hermetically sealed six-pin connector.

The retractable design allows the probe to be installed into and removed from a pressurised system without a process shutdown and it allows the insertion length (I.L.) to be adjusted by the installer.

Key	
1 – Probe Electrodes	5 – TBE Pipe Nipple (usually fitted with bleed valve)
2 – Thredo-let (flanged connection is available)	6 – Thread adaptor (if required)
3 – TBE Pipe Nipple	7 – Packing gland
4 – Full Bore Ball Valve (flanged connection is available)	8 – Safety chain
	Items 1-6 are supplied separately from the LP4300

The packing system features a built-in mechanical stop to secure the rod in place during service. The system also utilises an adjustable safety chain system which serves as an additional mechanical stop and eliminates the need for cumbersome safety frames in most cases.

A variety of probe lengths are available to meet your specific needs (please see the ordering information on the next page).

Electrodes are available in a wide variety of alloys and are sold separately.

Specifications				
Probe Body Material	316 Stainless Steel or C276		Order Length	I.L. (max)
End Cap Seal	Glass		24"	17.53"
Fill Material	Epoxy		30"	23.53"
Packing Material	Teflon® (standard) or Grafoil		36"	29.53"
Temperature Rating	260°C / 500°F Teflon®		42"	35.53"
Pressure Rating	2000 PSI / 138 Barg**			
Mounting	Minimum 1" Full Bore Valve			

* Other material options are available

** Easy Tool (Product Code: SR2159-ERXX) is recommended for insertion or retraction in systems with pressure over 150 psi

4.10

Model LP4300

Retractable Three Electrode Linear Polarisation Resistance Probe

For The Low Pressure Retractable System



Model LP4300 Ordering Product Code Generation					
LP45	Linear Polarisation 1 inch Female NPT Probe, Packing Gland w/ Teflon®				
LP75	Linear Polarisation 1 inch Female NPT Probe, Packing Gland w/ Grafoil®				
Probe Body Material					
	22	316			
	44	C276			
LP Electrode Options					
	H0	Three-electrode CorrTran Style			
Seal Type					
		1	Glass		
Length					
			24	17.53 inch max. insertion length	
			30	23.53 inch max. insertion length	
			36	29.53 inch max. insertion length	
			42	35.53 inch max. insertion length	
Options					
			000	None	
LP45	22	H0	1	24	000 Example of Probe Ordering Product Code

Note: For alloys, sizes, or other special requirements not listed, please contact our sales department.

LPR Electrodes

LPR probe electrodes are replaceable and are sold separately.

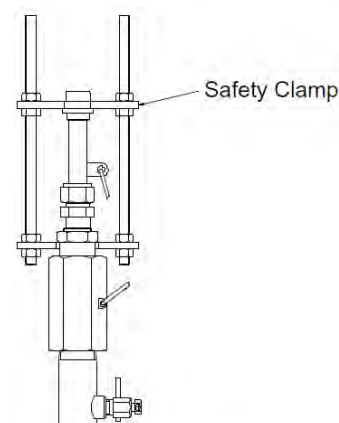
The LP4300 LPR probe utilises EL525XXX2800XX electrodes.

Please see RCSL's product data sheet for LPR electrodes for ordering information.

Safety Clamp

Safety clamps are available separately, these provide additional support to the packing gland and safety chain to control the positioning of the coupons within the pipe.

Safety Clamp Assembly Product Code:	
PS5463141XX	Replace XX with Length, e.g. PS546314124

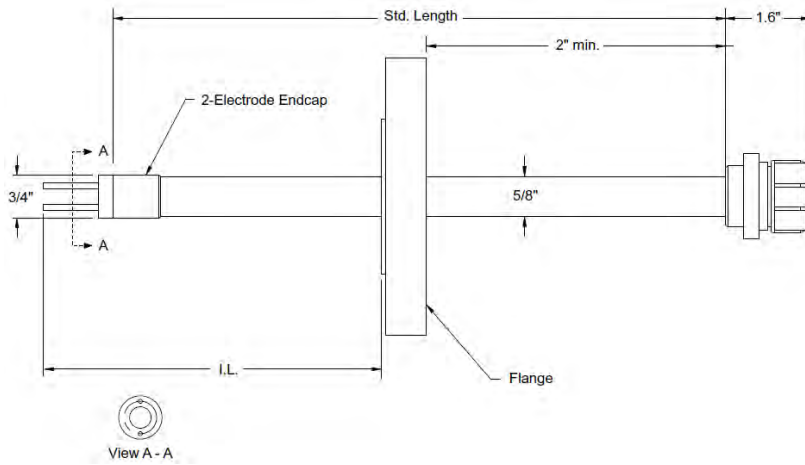


4.11

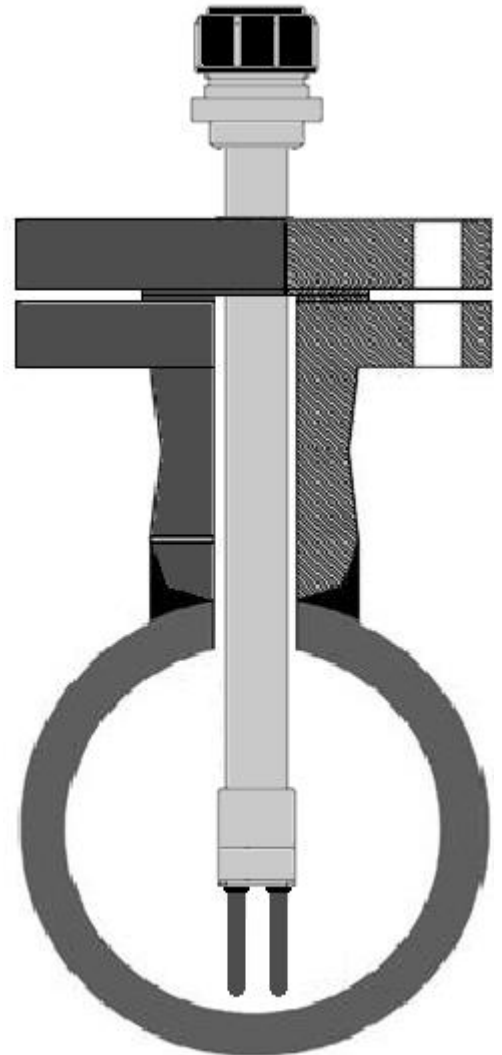
Model LP6000

Two Electrode Linear Polarisation Resistance Probe

For Direct Mounting Via Flanged Branch



All dimensions are in inches



The Model LP6000 is a fixed-length, flange-mounted, linear polarisation resistance probe. The probe is ideally suited for use in high pressure and/or hazardous applications where threaded fittings are not available or not recommended.

Process shutdown or process isolation is required for installation and inspection.

The probe assembly consists of an insertion rod with a two-electrode endcap, a hermetically sealed connector, and a flange (as specified by customer), which are all welded in place.

Insertion length (I.L.) is calculated to the end of the electrodes and, in this case, is based on a 1" total flange thickness. Customers can specify any length required. For standard probes, the maximum insertion length is given in the chart below.

Electrodes are ordered separately. Several standard electrodes are available to meet your specific needs.

Specifications				
Probe Body	316 Stainless Steel or C276		Order Length	I.L. (max)
Endcap Seal	Glass		12"	10.12"
Fill Material	Epoxy		18"	16.12"
Temperature Rating	260°C / 500°F		24"	22.12"
Pressure Rating	Per flange pressure rating			
Mounting	Flanged branch			

4.11

Model LP6000

Two Electrode Linear Polarisation Resistance Probe

For Direct Mounting Via Flanged Branch



Model LP6000 Ordering Product Code Generation									
LP6	Linear Polarisation Fixed Length Pipe Probe with Flange								
	Flange Size								
	1	1 inch Flange							
	2	1 ½" inch Flange							
	3	2 inch Flange							
	4	3 inch Flange							
	5	4 inch Flange							
	7	6 inch Flange							
	8	2 ½" inch Flange							
	9	¾" inch Flange							
	Probe Body Material								
	22	316							
	44	C276							
	LP Electrode Options								
	2	Two-electrode integral type							
	Flange Pressure Rating								
	1	150 lb.							As standard the flange is ANSI RF ANSI RTJ and API are available to special order
	2	300 lb.							
	3	600 lb.							
	5	1500 lb.							
	6	900 lb.							
	7	2500 lb.							
	Seal Type								
	1	Glass							
	Length								
	12	10.12" inches max. insertion length							
	18	16.12" inches max. insertion length							
	24	22.12" inches max. insertion length							
	Options								
	000	None							
LP6	2	22	2	1	1	12	000	Example of Probe Ordering Product Code	

Note: For alloys, sizes, or other special requirements not listed, please contact our sales department.

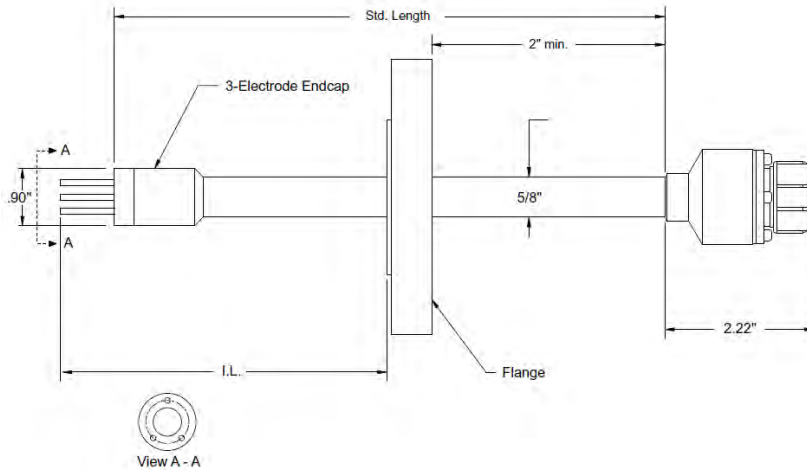
LPR Electrodes

LPR probe electrodes are replaceable and are sold separately.

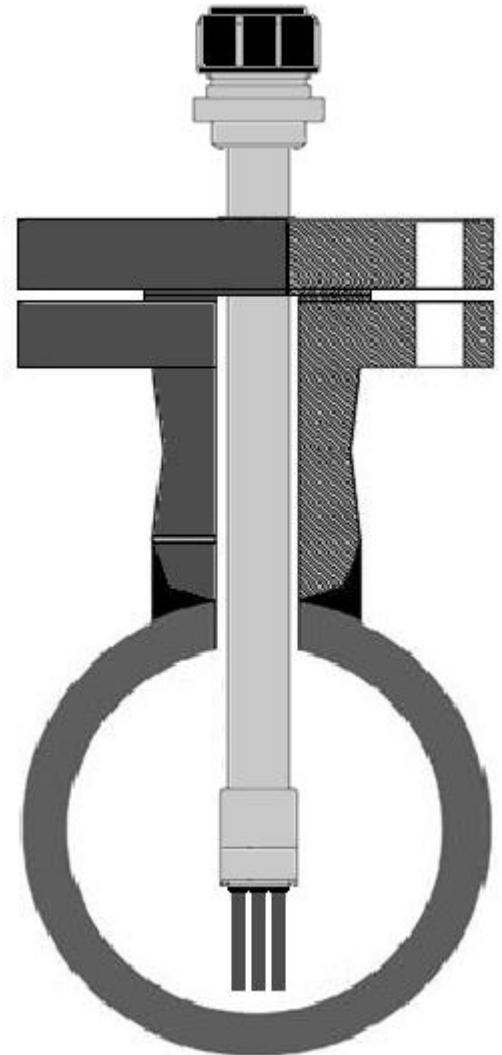
The LP6000 LPR probe utilises EL400XXX2800000 electrodes.

Please see RCSL's product data sheet for LPR electrodes for ordering information.

4.12
Model LP6100
Three Electrode Linear Polarisation Resistance Probe
 For Direct Mounting Via Flanged Branch



All dimensions are in inches



The Model LP6100 is a fixed-length, flange-mounted, linear polarisation resistance probe. The probe is ideally suited for use in high pressure and/or hazardous applications where threaded fittings are not available or not recommended.

Process shutdown or process isolation is required for installation and inspection.

The probe assembly consists of an insertion rod with a three-electrode endcap, a hermetically sealed connector, and a flange (as specified by customer), which are all welded in place.

Insertion length (I.L.) is calculated to the end of the electrodes and, in this case, is based on a 1" total flange thickness. Customers can specify any length required. For standard probes, the maximum insertion length is given in the chart below.

Electrodes are ordered separately. Several standard electrodes are available to meet your specific needs.

Specifications				
Probe Body	316 Stainless Steel or C276		Order Length	I.L. (max)
Endcap Seal	Glass		12"	10.25"
Fill Material	Epoxy		18"	16.25"
Temperature Rating	260°C / 500°F		24"	22.25"
Pressure Rating	Per flange pressure rating			
Mounting	Flanged branch			

4.12

Model LP6100

Three Electrode Linear Polarisation Resistance Probe

For Direct Mounting Via Flanged Branch



Model LP6100 Ordering Product Code Generation								
LP6	Linear Polarisation Fixed Length Probe with Flange							
	Flange Size							
	1	1 inch Flange						
	2	1 ½ inch Flange						
	3	2 inch Flange						
	4	3 inch Flange						
	5	4 inch Flange						
	7	6 inch Flange						
	8	2 ½ inch Flange						
	Probe Body Material							
	22	316						
	LP Electrode Options							
	10	Three-electrode plug type						
	30	Three-electrode integral type						
	Flange Pressure Rating							
	1	150 lb.					As standard the flange is ANSI RF ANSI RTJ and API are available to special order	
	2	300 lb.						
	3	600 lb.						
	5	1500 lb.						
	6	900 lb.						
	7	2500 lb.						
	Seal Type							
	1	Glass						
	Length							
	12	10.25 inches max. insertion length						
	18	16.25 inches max. insertion length						
	24	22.25 inches max. insertion length						
	Options							
	000	None						
LP6	2	22	30	1	1	18	000	Example of Probe Ordering Product Code

Note: For alloys, sizes, or other special requirements not listed, please contact our sales department.

LPR Electrodes

LPR probe electrodes are replaceable and are sold separately.

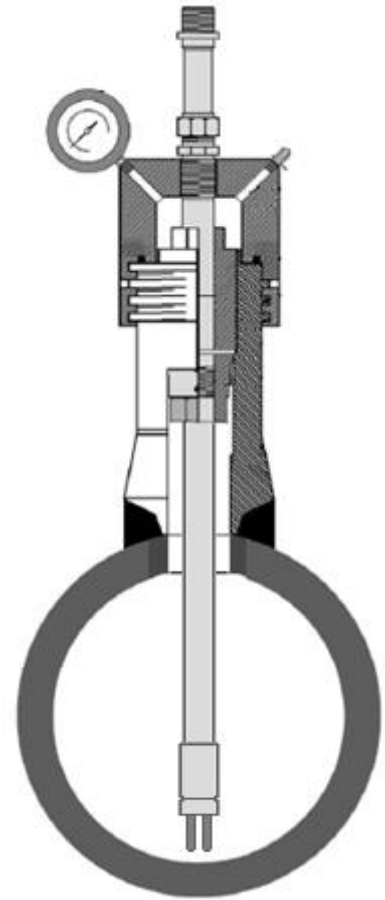
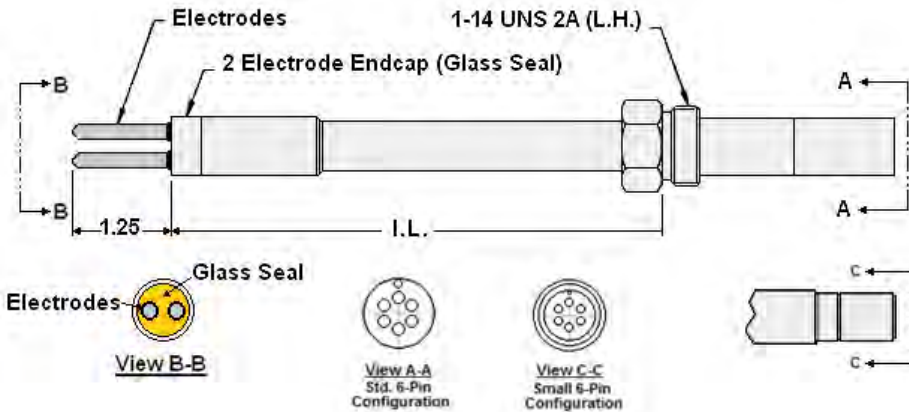
The LP6100 LPR probe utilises EL412XXX2800000 electrodes.

Please see RCSL's product data sheet for LPR electrodes for ordering information.

4.13

Model LP7000

Retrievable Two Electrode Linear Polarisation Resistance Probe For The High Pressure Two Inch Access Fitting System



Picture is for illustrative purposes only, other access fitting mounting options are available

The Model LP7000 is a fixed-length, linear polarisation resistance probe for use with the two inch access fitting system at high pressure and high temperature.

The probe assembly consists of an insertion rod with a hermetically sealed two-electrode endcap with 2x 4-40 UNC mounting studs, a hermetically sealed six pin connector and a pipe plug with the industry standard 1-14 UNS 2A LH thread.

The pipe plug on the probe screws into the hollow plug nut of the access system. This allows the probe to be installed in the process, using a retriever tool and service valve, without process shutdown.

The insertion length (I.L.) can range from 3" up to any length specified by the customer in 1/8" increments, note that this includes 1.25" for the length of the electrode.

Several standard electrodes are available to meet your specific needs. Probe adaptors are also available and must be ordered separately.

Specifications	
Probe Body	316 Stainless Steel or C276
Endcap Seal	Glass
Fill Material	Epoxy
Temperature Rating	260°C / 500°F
Pressure Rating	3600psi / 245 Bar
Mounting	Two inch Access Fitting System With Hollow Plug

Linear Polarisation Probe Spare Parts	Product Code
Replacement PTFE Probe Seal (seals probe to hollow plug)	700277
Replacement PEEK Probe Seal (seals probe to hollow plug)	700339
Hollow Plug Bore-Seal Nut, 316 S/S (seals hollow plug when probe is not installed)	700311

4.13

Model LP7000

Retrievable Two Electrode Linear Polarisation Resistance Probe For The High Pressure Two Inch Access Fitting System



Model LP7000 Ordering Product Code Generation								
HL	Linear Polarisation Probe For The Two Inch Access Fitting System							
	Mounting Material							
	2	316						
	3	C276						
		Connector Type						
	1	Small Connector						
	2	Standard Connector						
		LP Electrode Options						
		0	Two-electrode integral type					
			Seal Type					
			0	Glass				
			1	Epoxy				
				Length (calculated length rounded down to 1/8 inch increment)				
			XXXX	Length in inches, in 2 decimal place format (e.g. 6.25 inches = 0625)				
				Options				
				000	None			
					Probe Seal Options			
					01	PTFE		
					02	PEEK		
HL	2	2	0	0	0625	000	01	Example of Probe Ordering Product Code

Note: For alloys, sizes, or other special requirements not listed, please contact our sales department.

LPR Electrodes

LPR probe electrodes are replaceable and are sold separately.

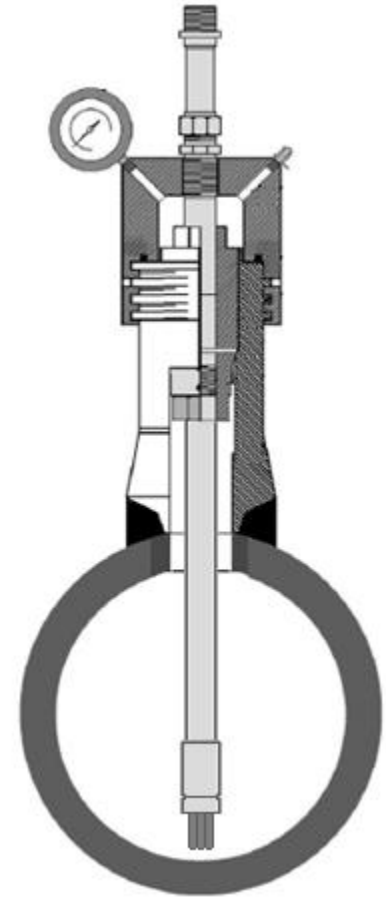
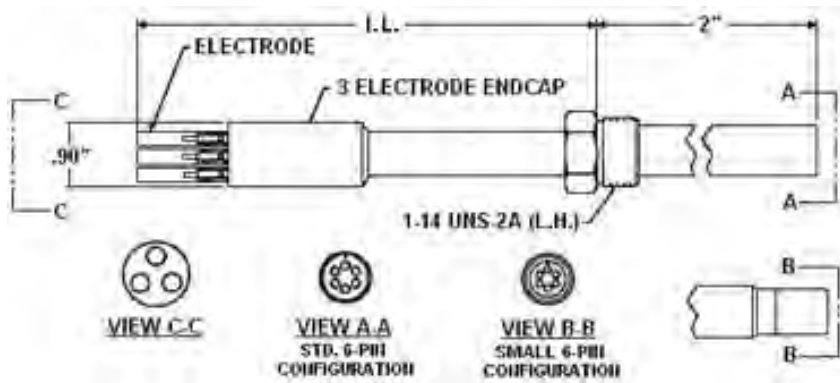
The LP7000 probe requires Electrode Product Code: EL400XXX2800000.

Please see RCSL's product data sheet for LPR electrodes for ordering information.

4.14

Model LP7100

Retrievable Three Electrode Linear Polarisation Resistance Probe For The High Pressure Two Inch Access Fitting System



Picture is for illustrative purposes only, other access fitting mounting options are available

The Model LP7100 is a fixed-length, linear polarisation resistance probe for use with the two inch access fitting system at high pressure and high temperature.

The probe assembly consists of an insertion rod with a hermetically sealed three-electrode endcap with threaded mounting studs (5-40 and 4-40 UNC threads are available), a hermetically sealed six pin connector and a pipe plug with the industry standard 1-14 UNS 2A LH thread.

The pipe plug on the probe screws into the hollow plug nut of the access system. This allows the probe to be installed in the process, using a retriever tool and service valve, without process shutdown.

Several standard electrodes are available to meet your specific needs. Probe adaptors are also available and must be ordered separately.

The insertion length (I.L.) can range from 2 inch up to any length specified by the customer in 1/8 inch increments

Please ensure that the 4-40 UNC thread option and EL525 electrodes are selected when ordering this probe for use with CorrTran instruments.

Specifications	
Probe Body	316 Stainless Steel or C276
Endcap Seal	Glass
Fill Material	Epoxy
Temperature Rating	260°C / 500°F
Pressure Rating	3600psi / 245 Bar
Mounting	Two inch Access Fitting System With Hollow Plug

Linear Polarisation Probe Spare Parts	Product Code
Replacement PTFE Probe Seal (seals probe to hollow plug)	700277
Replacement PEEK Probe Seal (seals probe to hollow plug)	700339
Hollow Plug Bore-Seal Nut, 316 S/S (seals hollow plug when probe is not installed)	700311

4.14

Model LP7100

Retrieval Three Electrode Linear Polarisation Resistance Probe For The High Pressure Two Inch Access Fitting System



Model LP7100 Ordering Product Code Generation									
HL	Linear Polarisation Probe For The Two Inch Access Fitting System								
	Mounting Material								
	2	316							
	3	C276							
		Connector Type							
	1	Small Connector							
	2	Standard Connector							
		LP Electrode Options							
	1	3x integral 5-40 UNC Threaded Mounting Studs (standard)							
	H	3x integral 4-40 UNC Threaded Mounting Studs (CorrTran)							
		Seal Type							
	0	Glass							
		Length (calculated length rounded down to 1/8 inch increment)							
		XXXX	Length in inches, in 2 decimal place format (e.g. 6.25 inches = 0625)						
			Options						
		000	None						
			Probe Seal Options						
		01	PTFE						
		02	PEEK						
HL	2	2	1	0	612	000	01	Example of Probe Ordering Product Code	

Note: For alloys, sizes, or other special requirements not listed, please contact our sales department.

LPR Electrodes

LPR probe electrodes are replaceable and are sold separately.

The LP7100 probe with 5-40 UNC thread requires Electrode Product Code: EL412XXX2800000. Note that these electrodes vary in length by material, this should be considered when calculating the probe length.

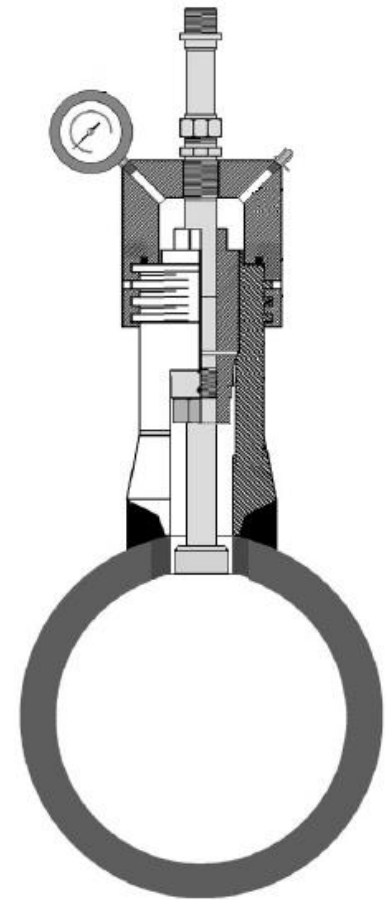
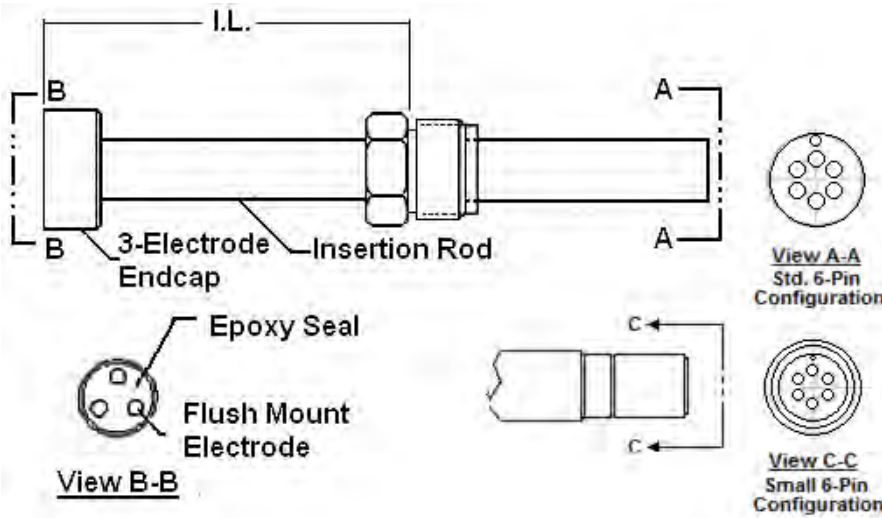
When using the LP7100 probe with CorrTran instrument, please ensure that the probe is ordered with 4-40 UNC threaded mounting studs. Electrode Product Code: EL525XXX28000XX is required.

Please see RCSL's product data sheet for LPR electrodes for ordering information.

4.15

Model LP7210

Retrievable Three Flush Electrode Linear Polarisation Resistance Probe For The High Pressure Two Inch Access Fitting System



Picture is for illustrative purposes only, other access fitting mounting options are available.

The Model LP7210 is a fixed-length, flush-mount, three electrode, retrievable, linear polarisation resistance probe for use with the two inch access fitting system at high pressure and high temperature.

These probes are ideally suited for applications where the probe electrodes need to be flush with the wall of the pipe.

The probe assembly consists of an insertion rod, a flush mount, three-electrode endcap, a hermetically sealed six pin connector and a pipe plug with the industry standard 1-14 UNS 2A LH thread.

The pipe plug on the probe screws into the hollow plug nut of the access system. This allows the probe to be installed in the process, using a retriever tool and service valve, without process shutdown.

The probe's three-electrode endcap is filled with an epoxy seal.

The Electrodes are not replaceable. The insertion length (I.L.) can range from a minimum of 1.75 inches up to any length specified by the customer in $\frac{1}{8}$ inch increments.

Specifications	
Probe Body	316 Stainless Steel or C276
Endcap Seal	Epoxy
Fill Material	Epoxy
Temperature Rating	260°C / 500°F
Pressure Rating	3600psi / 245 Bar
Mounting	Two inch Access Fitting System With Hollow Plug

Linear Polarisation Probe Spare Parts	Product Code
Replacement PTFE Probe Seal (seals probe to hollow plug)	700277
Replacement PEEK Probe Seal (seals probe to hollow plug)	700339
Hollow Plug Bore-Seal Nut, 316 S/S (seals hollow plug when probe is not installed)	700311

4.15

Model LP7210

Retrieval Three Flush Electrode Linear Polarisation Resistance Probe
 For The High Pressure Two Inch Access Fitting System



Model LP7210 Ordering Product Code Generation									
HL	Linear Polarisation Probe For The Two Inch Access Fitting System								
	Mounting Material								
	2	316							
	3	C276							
		Connector Type							
	2	Standard Connector							
		LP Electrode Options							
		4	Three-electrode integral flush type						
		6	Three-electrode integral flush adjustable type						
			Seal Type						
		1	Epoxy						
			Length (calculated length rounded down to 1/8 inch increment)						
			XXXX	Length in inches, in 2 decimal place format (e.g. 6.25 inches = 0625)					
				Electrode Alloy					
			XXX	Use Code in Alloy Chart					
				Probe Seal Options					
				01	PTFE				
				02	PEEK				
HL	2	2	4	1	612	XXX	01	Example of Probe Ordering Product Code	

Note: For alloys, sizes, or other special requirements not listed, please contact our sales department.

Electrode Alloy Chart		
Code	Description	UNS#
377	C1018 Carbon Steel	G10180
159	316L S.S.	S31603
419	CDA110	C11000
434	CDA443	C44300



4.16 Model EL400, EL412 & EL525 Electrodes For Linear Polarisation Resistance Probes

The electrodes in Linear Polarisation Resistance (LPR) probes are consumable components. Most LPR probes have replaceable electrodes for this reason.

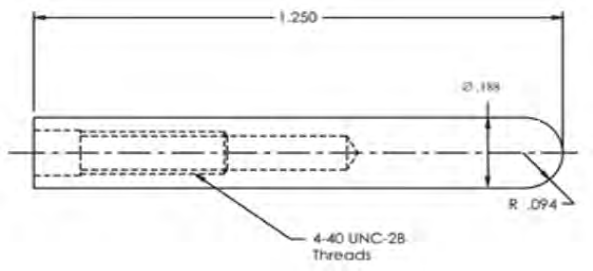
This data sheet covers the electrodes for standard 2 electrode, 3 electrode and “CorrTran” type LPR probes. Other types of electrode are available, please contact our sales department with your requirement.

The minimum Order Quantity for Electrodes is 10pcs. This may increase for non-standard materials.

LPR Electrodes are available in almost any alloy to suit your application. For alloys, sizes, or other special requirements not listed, please contact our sales department.

Replacement Electrodes for 2 Electrode LPR Probes

Model EL400 Ordering Product Code Generation				
EL	Electrode For Linear Polarisation Probe			
	Electrode Type			
	400	4-40 UNC 2B Thread		
		Electrode Alloy		
		XXX	Use Code in Alloy Chart	
			Electrode Finish	
			2800000	Centre-Less Ground Finish
EL	400	375	2800000	Example of Electrode Ordering Product Code

	Electrode Alloy Chart		
	Code	Description	UNS#
	C1010*	Carbon Steel – UNS G10100	375
	304L	Stainless Steel – UNS S30403	145
	316L	Stainless Steel – UNS S31603	159
	CDA110	Copper – UNS C1100	419
	CDA443	Brass – UNS C44300	434
	Al 1100	Aluminium – UNS A91100	290
	C276	Nickel Alloy – UNS N10276	A12
	A625	Nickel Alloy – UNS N06625	602
	Lead	UNS L5005	653

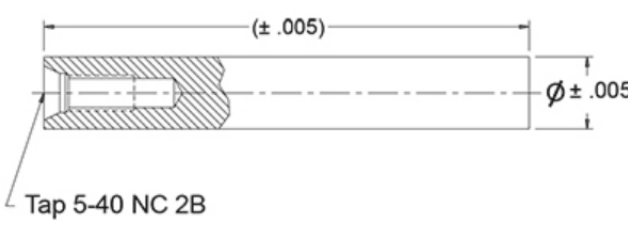
*Chemically equivalent to standard pipe-grade carbon steels.

4.16
Model EL400, EL412 & EL525
Electrodes For Linear Polarisation Resistance Probes



Replacement Electrodes for 3 Electrode LPR Probe

Model EL412 Ordering Product Code Generation			
EL	Electrode For Linear Polarisation Probe		
	Electrode Type		
	412	5-40 UNC 2B Thread	
		Electrode Alloy	
	XXX	Use Code in Alloy Chart	
		Electrode Finish	
		2800000	Centre-Less Ground Finish
EL	412	377	2800000 Example of Electrode Ordering Product Code

	Electrode Alloy Chart		
	Code	Description	UNS#
	C1018	Carbon Steel - UNS G10180	377
	304L	Stainless Steel - UNS S30403	145
	316L	Stainless Steel - UNS S31603	159
	CDA110	Copper - UNS C1100	419
	CDA443	Brass - UNS C44300	434
	Al 1100	Aluminium - UNS A91100	290
	C276	Nickel Alloy - UNS N10276	A12
	A625	Nickel Alloy - UNS N06625	602
	Lead	UNS L5005	653

The EL412 Electrode Length and diameter varies by alloy. Examples below:

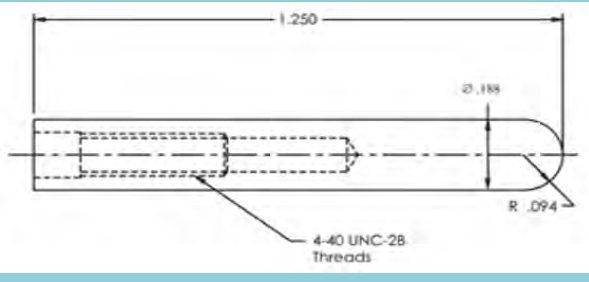
Material	Length
C1018 CS	1.72"
316L S/S	1.62"
CDA110	3.5"
CDA443	3.17"

4.16
Model EL400, EL412 & EL525
Electrodes For Linear Polarisation Resistance Probes



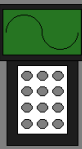
Replacement Electrodes for 3 Electrode “CorrTran” Style LPR Probe

Model EL525 Ordering Product Code Generation				
EL	Electrode For Linear Polarisation Probe			
	Electrode Type			
	525	4-40 UNC 2B Thread, for CorrTran LPR Probe		
		Electrode Alloy		
		XXX	Use Code in Alloy Chart	
			Electrode Finish	
			28000	Centre-Less Ground Finish
			Electrode Insulator	
			00	Viton (Standard)
			10	Teflon
			60	Kalrez 4079
			70	Kalrez 6375
EL	525	375	28000	Example of Electrode Ordering Product Code

	Electrode Alloy Chart		
	Code	Description	UNS#
	C1010*	Carbon Steel – UNS G10100	375
	304L	Stainless Steel – UNS S30403	145
	316L	Stainless Steel – UNS S31603	159
	CDA110	Copper – UNS C1100	419
	CDA443	Brass – UNS C44300	434
	Al 1100	Aluminium – UNS A91100	290
	C276	Nickel Alloy – UNS N10276	A12
	A625	Nickel Alloy – UNS N06625	602
	Lead	UNS L5005	653

*Chemically equivalent to standard pipe-grade carbon steels.

5.0 Instrumentation



Sub-Section No.

Instruments & Accessories For Use With Electrical Resistance Probes

- 5.1 Model MS0500 Hand Held Instrument
- 5.2 Model MS2600E & MS2601E 4-20mA Remote Data Transmitters
- 5.3 Model MS2700E & MS2701E RS485 Remote Data Transmitters
- 5.4 Model MS2800E & MS2801E RS485 Remote Data Transmitters, Corr Velox
- 5.5 Model MS3500E, MS3510E, MS3520E Remote Data-Loggers
- 5.6 Model MS3600E, MS3610E & MS3620E Remote Data-Loggers
- 5.7 Model MS4500E & MS4500E-HC Hand Held Data-Logger
- 5.8 Model ET1650 Certified USB Flash Drive
- 5.9 Model ET1867 Certified USB Barrier

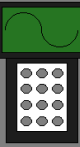
Instruments For Use With Linear Polarisation Resistance Probes

- 5.10 Model MS1000 Hand Held Instrument
- 5.11 Model MS1500L Hand Held Data-Logger
- 5.12 Model MS2001L Remote Continuous Corrosion Meter
- 5.13 Model MS2100L & MS2150L Remote CorrTran AQUA 4-20mA/HART® Transmitters
- 5.14 Model MS2900L CorrTran MV 4-20mA/HART® Transmitter
- 5.15 Model MS3500L & MS3510L Remote Data-Loggers
- 5.16 Model MS6200L Bench Top Data-Logger

Accessories

- 5.17 Model MS2540 Data Receiver
- 5.18 Probe Adaptors For Use With Retrievable Probes
- 5.19 Instrument & Probe Extension Cables

5.1 Model MS0500 Corrosion Meter For Electrical Resistance Probes



The MS0500 is a battery-powered, portable corrosion meter capable of interpreting all electrical resistance type corrosion probes. Combining a light weight of only 4 pounds with ease of operation, the MS0500 enables the operator to take readings from several different probe locations.

Corrosion rate measurements are made using the electrical resistance method. Essentially, the instrument measures the resistance of the probe element which changes over time as metal loss occurs. The rate of change is directly proportional to the corrosion rate. This method finds a wide variety of applications since it can be used in conductive and nonconductive environments, such as petroleum, chemical, water, soil, or even atmosphere.



Probe shown in photograph not included with corrosion meter

The MS0500 has a permanently attached cable assembly which mates directly to any standard ER probe. A switch is provided on the front panel of the instrument for selecting the probe type to be measured (wire loop, tube loop, cylindrical, etc.). Readings are taken using the dial and analog meter on the front panel.

The MS0500 also offers a built-in battery test function, and comes in a convenient carrying case.

Model MS0500 Technical Specifications	
MS0500 – ER Corrosion Meter (Ordering # IN0500)	
Physical Data	
Instrument Weight:	1.08 kg (2.38 lb)
Total Weight w/ Carrying Case & Accessories:	1.63 kg (3.6 lb)
Instrument Dimensions:	7.62cm H x 12.7cm W x 17.15cm D (3" H x 5" W x 6.75")
Carrying Case Dimensions:	15.24cm H x 15.24cm W x 22.23cm D (6.0" x 6.0" x 8.75")
Operating Temperature:	0° to 50°C (32° to 122°F)
Storage Temperature:	0° to 50°C (32° to 122°F)
Performance Data	
Measurement Type:	ER measurement using any standard ER probe type (wire loop, tube loop, cylindrical, flush, strip, etc.) w/ check reading.
Range:	0-1000 digits representing 0-100% of probe life
Resolution:	1 digit
Electrical Data	
Power Requirements:	Two 9V Batteries
Maximum Probe Cable Distance:	30.48m (100ft). This may vary with element type

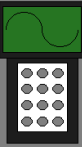
Special Features
- Simple user interface
- Built-in battery check
- Portable

Accessory Items
Carrying Case, 6" Probe Cable (attached), Meter Prover, Operation Manual

5.2

Models MS2600E & MS2601E

High Resolution Transmitter For Electrical Resistance Probes 4-20mA Analog Output



The Model MS2600E & MS2601E ER Transmitters measure all types of electrical resistance (ER) corrosion probes.

The new high-resolution, 16-bit measurement provides faster response, obtaining corrosion rates in hours instead of days. The transmitter can be remote or direct-mounted (shown below).

The MS2600E transmitter is available in a weather-proof stainless steel enclosure designed for applications which do not permit aluminium enclosures (such as offshore environments or Zone 0 hazardous areas).

Alternatively the MS2601E has a weather-proof (NEMA-4X) and explosion proof cast aluminum enclosure.

The MS2600E & MS2601E are completely loop-powered, so installation is simple.

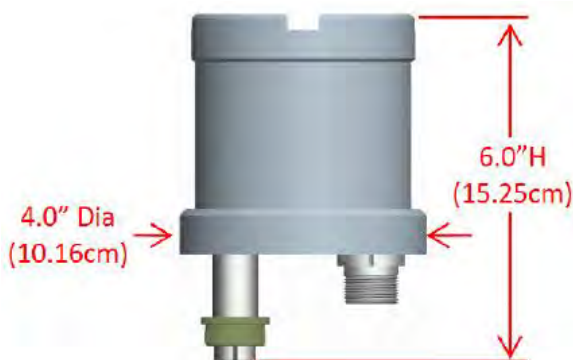
A two-wire connection is all that is required for both instrument power and data transmission. Setup is also simple, using a set of switches to select the probe type to be measured.



MS2600E direct mounted to a retrievable probe



MS2600E



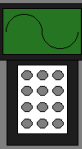
MS2601E



5.2

Models MS2600E & MS2601E

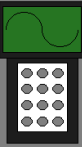
High Resolution Transmitter For Electrical Resistance Probes 4-20mA Analog Output



Models MS2600E & MS2601E Technical Specifications	
MS2600E & MS2601E – High Resolution ER, Transmitter, 4-20mA	
Mounting Specifications:	Direct probe mount (standard) May be pole mounted using optional hardware (Up to a 6.35cm (2.5") Diameter pole)
Physical Data MS2600E	
Instrument Weight:	1.68Kg (3.7 lb.)
Total Weight w/ Accessories:	2.61Kg (5.76lb.)
Instrument Dimensions	15.25cm Height x 10.16cm Diameter (6.0" Height x 4" Diameter)
Enclosure:	316 Stainless Steel, IP66
Physical Data MS2601E	
Instrument Weight:	1.68Kg (3.7 lb.)
Total Weight w/ Accessories:	2.61Kg (5.76lb.)
Instrument Dimensions:	20.32cm H x 12.24cm W x 8.76cm D (8.0" Height x 4.82" W x 3.45" D)
Enclosure:	Copper Free Cast Aluminium Explosion Proof (FM, CSA, CENELEC, UL) IP 66, NEMA 4X, 7BCD, 9EFG
Performance Data	
Measurement Type:	ER measurement using any standard ER probe type (Wire Loop, Tube Loop, Cylindrical, Flush, Strip, etc.)
Operating Temperature:	-20°C to 70°C (-4°F 158°F)
Storage Temperature:	-40°C to 80°C (-40°F to 176°F)
Range:	0-100% of probe life
Resolution:	0.0015% of probe life
Cycle Time:	1 Minute
Electrical Data	
Power Requirements:	10 to 28 VDC
Maximum Probe Cable Distance:	30ft (9.1m)
Output Specifications:	4-20mA Current Loop Output
Hazardous Location Certifications – Intrinsic Safety	
USA/ Canada	Conforms to ANSI/UL Std. 60079-0, 60079-11, 61010-1 CAN/CSA Std. E66079-0, E60079-11 & CAN/CSA C22.2 No. 61010-1 Class I, Zone0, AEx ia IIC T4 Ga Zone 20, AEx ia IIIC T130° C Da -20° C ≤ Ta ≤ +70° C
Europe and Worldwide (ATEX and IECEx) X. Probe dielectric rating <500V r.m.s. Do not exceed	II 1 G Ex ia IIC T4 Ga II 1 D Ex ia III T130°C Da - 20°C ≤ Ta ≤ + 70°C ATEX Certificate No: ITS14ATEX27981X IECEx Certificate No: IECEx ITS 14.0010X
Included Accessories	
Meter Prover, Operations Manual	
MS2600E also has 10 metre Current Loop Harness	
Optional Accessories	
Probe Extension Cable, Remote Mounting Hardware	
M20x1.5 cable entry adaptor (for MS2601E only, for output signal cable only)	

5.3

Models MS2700E & MS2701E High Resolution Transmitter For Electrical Resistance Probes RS485 Modbus Output



The Model MS2700E and MS2701E ER Transmitters measure all types of electrical resistance (ER) corrosion probes.

The new high-resolution, 16-bit measurement provides faster response, obtaining corrosion rates in hours instead of days. The transmitter can be remote or direct-mounted (shown).

The MS2700E transmitter is available in a weather-proof (IP66) stainless steel enclosure designed for applications which do not permit aluminum enclosures (such as offshore environments or Zone 0 hazardous areas).

Alternatively the MS2701E has a weather-proof (IP66) and explosion proof cast aluminum enclosure.

The MS2700E & MS2701E transmitters offer simple installation and robust RS-485 Modbus communication, allowing up to 32 units to be connected in series (daisy-chained) on a single line. Setup is also simple, using a set of switches to select the probe type to be measured, address, and other options.



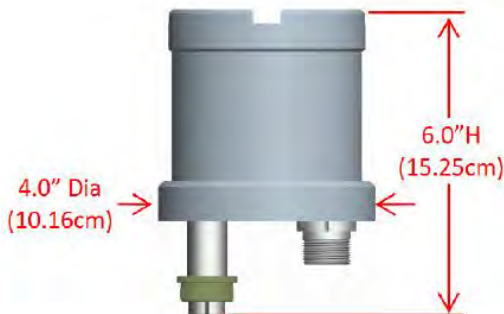
MS2700E shown direct mounted to a retrievable probe



MS2700E

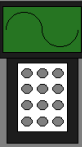


MS2701E



5.3

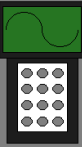
Models MS2700E & MS2701E High Resolution Transmitter For Electrical Resistance Probes RS485 Modbus Output



Models MS2700E & MS2701E Technical Specifications	
MS2700E & MS2701E – High Resolution ER Transmitter, Direct Mount, RS-485 Modbus	
Mounting Specifications:	Direct probe mount (standard) May be pole mounted using optional hardware (Up to a 6.35cm (2.5") Diameter pole)
Physical Data MS2700E	
Instrument Weight:	1.68Kg (3.7 lb.)
Total Weight w/ Accessories:	2.61Kg (5.76lb.)
Instrument Dimensions	15.25cm Height x Ø10.16cm (6.0" Height x Ø4")
Enclosure:	316 Stainless Steel, IP66
Physical Data MS2701E	
Instrument Weight:	1.68Kg (3.7 lb.)
Total Weight w/ Accessories:	2.61Kg (5.76lb.)
Instrument Dimensions:	20.32cm H x 12.24cm W x 8.76cm D (8.0" Height x 4.82" W x 3.45" D)
Enclosure:	Copper Free Cast Aluminium Explosion Proof (FM, CSA, CENELEC, UL) IP 66, NEMA 4X, 7BCD, 9EFG
Performance Data	
Measurement Type:	ER measurement using any standard ER probe type (Wire Loop, Tube Loop, Cylindrical, Flush, Strip, etc.)
Operating Temperature:	-20°C to 70°C (-4°F 158°F)
Storage Temperature:	-40°C to 80°C (-40°F to 176°F)
Range:	0-100% of probe life
Resolution:	0.0015% of probe life (16 bit)
Cycle Time:	75 seconds
Electrical Data	
Power Requirements:	10 to 28 VDC
Maximum Probe Cable Distance:	9.1m (30ft)
Output Specifications:	RS-485 Modbus, RTU or ASCII Protocol (Switch Selectable) 2400 / 4800 / 9600 / 19.2K Selectable Baud 32 Maximum Units (Addresses 1 to 32)
Hazardous Location Certifications – Intrinsic Safety	
USA/ Canada	Conforms to ANSI/UL Std. 60079-0, 60079-11, 61010-1 CAN/CSA Std. E66079-0, E60079-11 & CAN/CSA C22.2 No. 61010-1 Class I, Zone0, AEx ia IIC T4 Ga Zone 20, AEx ia IIIC T130° C Da -20° C ≤ Ta ≤ +70° C
Europe and Worldwide (ATEX and IECEx) X. Probe dielectric rating <500V r.m.s. Do not exceed	II 1 G Ex ia IIC T4 Ga II 1 D Ex ia IIIC T130°C Da - 20°C ≤ Ta ≤ + 70°C ATEX Certificate No: ITS14ATEX28092X IECEx Certificate No: IECEx ITS 14.0052X
Included Accessories	
Meter Prover, Operation Manual. MS2700E also has 10M (33ft) Wiring Harness	
Optional Accessories	
Probe Extension Cable, Remote Mounting Hardware	
MS2701E has option of M20x1.5 cable entry adaptor (for output signal cable only)	

5.4

Models MS2800E & MS2801E Corr Velox Ultra High Resolution Transmitter For Electrical Resistance Probes RS485 Modbus Output



The Model MS2800E and MS2801E Corr Velox ER Transmitters measure all types of electrical resistance (ER) corrosion probes.

The ultra high-resolution, 20-bit measurement provides faster response, obtaining corrosion rates in hours instead of days. The transmitter can be remote or direct-mounted (shown).

The MS2800E transmitter is available in a weather-proof (IP66) stainless steel enclosure designed for applications which do not permit aluminum enclosures (such as offshore environments or Zone 0 hazardous areas).

Alternatively the MS2801E has a weather-proof (IP66) and explosion proof cast aluminum enclosure.

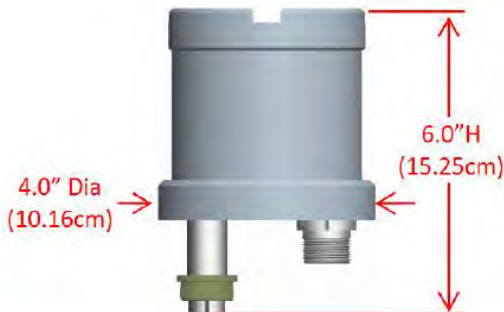
The MS2800E & MS2801E transmitters offer simple installation and robust RS-485 Modbus communication, allowing up to 32 units to be connected in series (daisy-chained) on a single line. Setup is also simple, using a set of switches to select the probe type to be measured, address, and other options.



MS2800E shown direct mounted to a retrievable probe



MS2800E



MS2801E



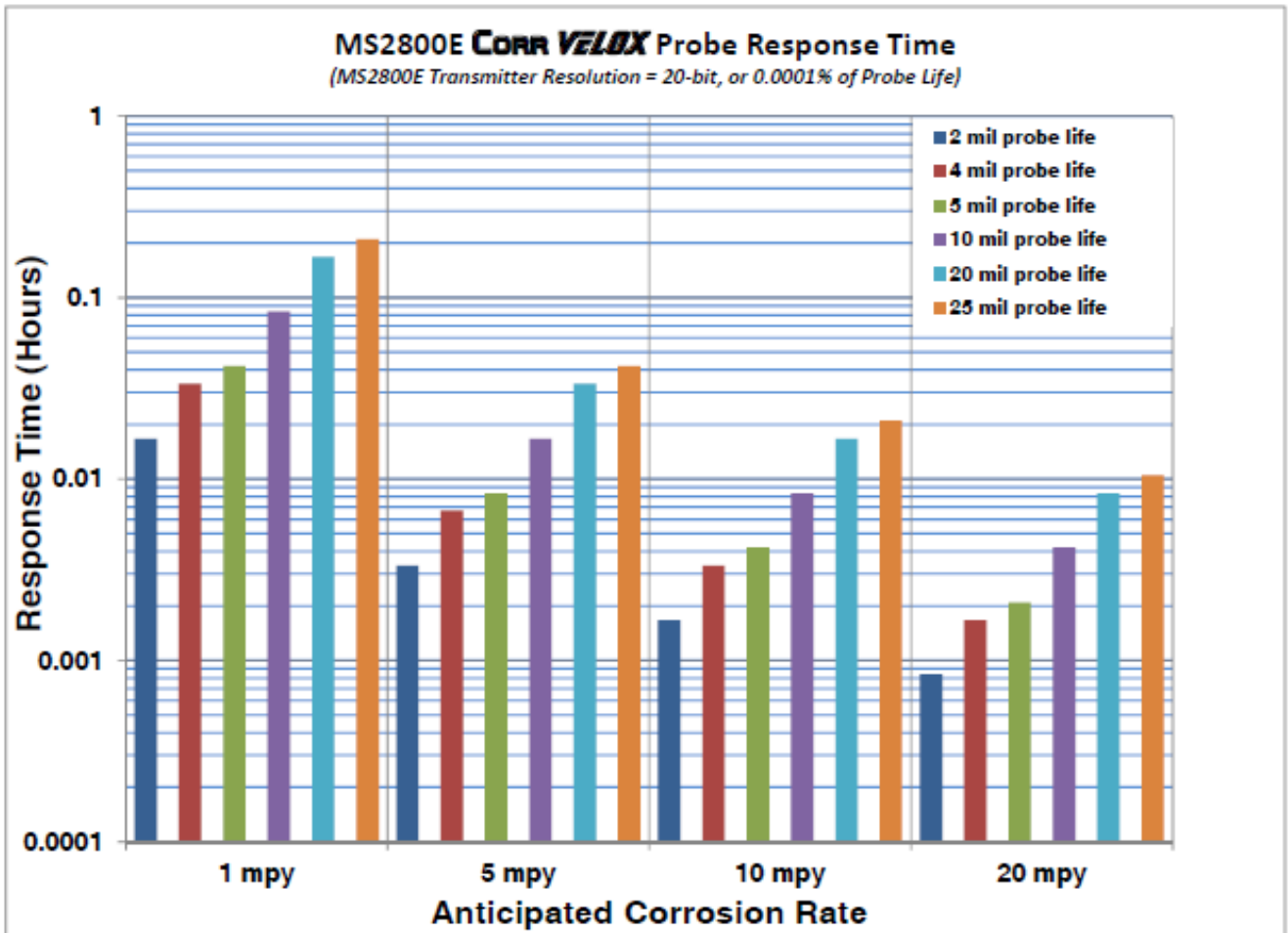
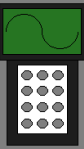
5.4

Models MS2800E & MS2801E Corr Velox Ultra High Resolution Transmitter For Electrical Resistance Probes RS485 Modbus Output

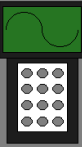


Models MS2800E & MS2801E Technical Specifications	
MS2800E & MS2801E – Ultra High Resolution ER Transmitter, Direct Mount, RS-485 Modbus	
Mounting Specifications:	Direct probe mount (standard) May be pole mounted using optional hardware (Up to a 6.35cm (2.5") Diameter pole)
Physical Data MS2800E	
Instrument Weight:	1.68kg (3.7 lb.)
Total Weight w/ Accessories:	2.61kg (5.76lb.)
Instrument Dimensions:	15.25cm Height x Ø10.16cm (6.0" Height x Ø4")
Enclosure:	316 Stainless Steel, IP66
Physical Data MS2801E	
Instrument Weight:	1.68kg (3.7 lb.)
Total Weight w/ Accessories:	2.61kg (5.76lb.)
Instrument Dimensions:	20.32cm H x 12.24cm W x 8.76cm D (8.0" Height x 4.82" W x 3.45" D)
Enclosure:	Copper Free Cast Aluminium Explosion Proof (FM, CSA, CENELEC, UL) IP 66, NEMA 4X, 7BCD, 9EFG
Performance Data	
Measurement Type:	ER measurement using any standard ER probe type (Wire Loop, Tube Loop, Cylindrical, Flush, Strip, etc.)
Operating Temperature:	-20°C to 70°C (-4°F 158°F)
Storage Temperature:	-40°C to 80°C (-40°F to 176°F)
Range:	0-100% of probe life
Resolution:	0.0001% of probe life (20 bit)
Cycle Time:	90 seconds
Electrical Data	
Power Requirements:	10 to 28 VDC
Maximum Probe Cable Distance:	9.1m (30ft)
Output Specifications:	RS-485 Modbus, RTU or ASCII Protocol (Switch Selectable) 2400 / 4800 / 9600 / 19.2K Selectable Baud 32 Maximum Units (Addresses 1 to 32)
Hazardous Location Certifications – Intrinsic Safety	
USA/ Canada	Conforms to ANSI/UL Std. 60079-0, 60079-11, 61010-1 CAN/CSA Std. E66079-0, E60079-11 & CAN/CSA C22.2 No. 61010-1 Class I, Zone0, AEx ia IIC T4 Ga Zone 20, AEx ia IIIC T130° C Da -20° C ≤ Ta ≤ +70° C
Europe and Worldwide (ATEX and IECEx) X. Probe dielectric rating <500V r.m.s. Do not exceed	II 2(1) G Ex db [ia Ga] IIC T6...T4 Gb II 2(1) D Ex tb [ia Da] IIIC T80°C Db - 40°C ≤ Ta ≤ + 70°C ATEX Certificate No: ITS18ATEX2203437X IECEx Certificate No: IECEx ETL 18.0020X
Included Accessories	
Meter Prover, Operation Manual. MS2800E also has 10M (33ft) Wiring Harness	
Optional Accessories	
Probe Extension Cable, Remote Mounting Hardware	
MS2801E has option of M20x1.5 cable entry adaptor (for output signal cable only)	

5.4
 Models MS2800E & MS2801E
 Corr Velox Ultra High Resolution Transmitter
 For Electrical Resistance Probes
 RS485 Modbus Output



5.5 Models MS3500E, MS3510E & MS3520E Remote Data-Loggers For Electrical Resistance Probes



The Model MS3500E, MS3510E and MS3520E are battery-powered, intrinsically safe, remote data-loggers capable of measuring and storing data from all types of electrical resistance (ER) corrosion probes.

The instrument is microprocessor-based and features a simple, menu-driven interface.

Corrosion rate measurements are made using a high-resolution electrical resistance method, measuring up to 65535 probe units. Essentially, the instrument measures the resistance of the probe element which changes over time, as metal loss occurs. The rate of change is directly proportional to corrosion rate.



This method finds a wide variety of applications since it can be used in conductive and nonconductive environments such as petroleum, chemical, water, soil, or even atmosphere.

The instrument takes probe readings on a user-programmable logging interval. Readings are time and date stamped as they are taken, then stored to memory.

Between readings, the instrument remains in a “sleep” mode to conserve main battery power. The instrument’s memory is capable of storing more than 100,000 readings, and is stored in non-volatile Flash memory.

Stored data can be uploaded to any PC as a comma-delimited ASCII text file. Because the data is in ASCII text format, it can be imported into any standard data analysis program such as Microsoft Excel. Data can also be reviewed on the instrument’s LCD display for quick reference.

Stored data can be downloaded directly to a certified USB storage device or via Bluetooth (option on Model MS3520E). This eliminates the need to remove the instrument from its site, or to bring a laptop PC to the site. This can be particularly useful when collecting data from multiple MS3500E, MS3510E and / or MS3520E Data Loggers. And since the instrument is intrinsically safe, data can be downloaded from the instrument even in hazardous locations.

The MS3510E also offers an optional 4-20mA current loop output. This feature allows data from the instrument to be fed directly to any industrial process computer that accepts analogue inputs.

The instrument is housed in a stainless steel NEMA 4X / IP 66 enclosure, and all external connections are weather-proof. This makes the instrument suitable for use in almost any indoor or outdoor environment.

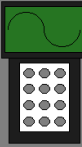
5.5
Models MS3500E, MS3510E & MS3520E
Remote Data-Loggers
For Electrical Resistance Probes



Model MS3500E Technical Specifications	
MS3500E – Remote ER Data Logger	
MS3510E – Remote ER Data Logger with 4-20mA Current Loop Output	
MS3520E – Remote ER Data Logger with Blue Tooth	
All models feature USB interface for data download	
Physical Data	
Instrument Weight:	5.42 Kg (11.94 lb.)
Total Weight w/ Accessories:	6.19 Kg (13.64 lb.)
Instrument Dimensions:	29.21cm H x 22.71cm W x 10.16cm D (11.50" x 8.94" x 4")* *Dimensions do not include Bluetooth aerial on MS3520E
Case Specifications:	NEMA-4X / IP66 Stainless Steel
Mounting Specifications:	27.31cm H x 15.24cm W (10.75" x 6") Bolt Pattern 0.76cm (0.3") Diameter Bolt Holes
Operating Temperature:	-40° to +70°C (-40° to +158°F)
Storage Temperature:	-40° to +70°C (-40° to +158°F)
Performance Data:	
Measurement Type:	ER measurement using any standard ER probe type (wire loop, tube loop, cylindrical, flush, strip, etc.)
Range:	0-65535 Probe Life Units (Displayed as 0.00 to 1000.00)
Resolution:	0.0015% of probe life
Download Method:	Directly to certified USB storage device Via Bluetooth (MS3520E)
Data Storage:	> 100,000 readings
Electrical Data:	
Power Requirements:	7.2 V lithium battery pack
Typical Battery Life:	3 years at 1 hour measurement interval
Output MS3500E:	Download to USB flash drive
Output MS3510E:	USB & 4-20mA Current Loop Output
Output MS3520E:	USB & Bluetooth Class v2.0 / 10 meter range
Output Specifications:	RS-232 Output in Comma-Delimited ASCII Text Format
Hazardous Location Certifications:	
Intrinsic Safety Ex ia[ia] IIC T4 Ga:	-40 Deg C < Ta < 70 Deg C (with Tadiran TL5930 cells) -40 Deg C < Ta < 50 Deg C (with Xeno XL-205F cells)
Special Features:	
<ul style="list-style-type: none"> • Microprocessor-based electronics • Large internal memory for more storage • Data battery backup • Menu-driven interface • Low-battery detection • IP66 enclosure 	
Included Accessory Items (All Models):	
10ft Probe Cable, Meter Prover, Operation Manual, Corrosion Data Management Software.	
Included Accessory Items (MS3510E):	
Communications Cable and Connector	
Optional Accessories:	
Product Code: ET1650 - Certified USB Flash Drive	
Bluetooth transfer unit	

5.6

Models MS3600E, MS3610E & MS3620E Field-Mounted High-Resolution Data Loggers For Electrical Resistance Probes



The Model MS3600E, MS3610E and MS3620E are battery-powered, intrinsically safe, field-mounted data loggers capable of automatically measuring and storing data from all types of electrical resistance (ER) corrosion probes.

The instrument is microprocessor-based and features an intuitive menu-driven interface. Additionally, the instrument is designed to mount directly to the ER probe which simplifies installation.

Corrosion rate measurements are made using a high-resolution electrical resistance method, measuring up to 65535 probe units.

Essentially, the instrument measures the resistance of the probe element which changes over time, as metal loss occurs. The rate of change is directly proportional to corrosion rate.



This method finds a wide variety of applications since it can be used in conductive and nonconductive environments such as petroleum, chemical, water, soil, or even atmosphere.

The instrument takes probe readings on a user-programmable logging interval. Readings are time and date stamped as they are taken, then stored to memory. Between readings, the instrument remains in a “sleep” mode to conserve main battery power. The instrument’s memory is capable of storing more than 100,000 readings, and is stored in non-volatile Flash memory.

Stored data can be uploaded to any PC as a comma-delimited ASCII text file. Because the data is in ASCII text format, it can be imported into any standard data analysis program such as Microsoft Excel. Data can also be reviewed on the instrument’s LCD display for quick reference.

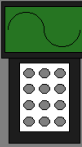
Stored data can be downloaded directly to a certified USB storage device or via Bluetooth (option on Model MS3620E). This eliminates the need to remove the instrument from its site, or to bring a laptop PC to the site. This can be particularly useful when collecting data from multiple MS3600E/MS3620E Data Loggers. And since the instrument is intrinsically safe, data can be downloaded from the instrument even in hazardous locations.

The MS3610E also offers an optional 4-20mA current loop output. This feature allows data from the instrument to be fed directly to any industrial process computer that accepts analog inputs.

The instrument is housed in a stainless steel NEMA 4X / IP 66 enclosure, and all external connections are weather-proof. This makes the instrument suitable for use in almost any indoor or outdoor environment.

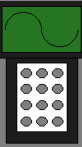
5.6

Models MS3600E, MS3610E & MS3620E Field-Mounted High-Resolution Data Loggers For Electrical Resistance Probes



Model MS3600E, MS3610E & MS3620E Technical Specifications	
MS3600E – Remote ER Data Logger	
MS3610E – Remote ER Data Logger with 4-20mA Current Loop Output	
MS3620E – Remote ER Data Logger with Blue Tooth	
All models feature USB interface for data download	
Physical Data	
Instrument Weight:	2.61 Kg (5.75 lb.)
Total Weight w/ Accessories:	3.52 Kg (7.75 lb.)
Instrument Dimensions:	13.97cm H x 14.1cm W x 19.33cm D (5.50"H x 5.55"W x 7.61"D)* *Dimensions do not include the Bluetooth aerial on MS3620E
Case Specifications:	NEMA-4X / IP66 Stainless Steel
Mounting Specifications:	Direct-to-probe mount
Operating Temperature:	-40° to +70°C (-40° to +158°F)
Storage Temperature:	-40° to +70°C (-40° to +158°F)
Performance Data:	
Measurement Type:	ER measurement using any standard ER probe type (wire loop, tube loop, cylindrical, flush, strip, etc.)
Range:	0-65535 Probe Life Units (Displayed as 0.00 to 1000.00)
Resolution:	0.0015% of probe life
Download Method:	Directly to certified USB storage device Via Bluetooth (MS3620E)
Data Storage:	> 100,000 readings
Electrical Data:	
Power Requirements:	7.2 V lithium battery pack
Typical Battery Life:	3 years at 1 hour measurement interval
Output MS3600E:	Download to USB flash drive
Output MS3610E:	USB & 4-20mA Current Loop Output
Output MS3620E:	USB & Bluetooth Class v2.0 / 10 meter range
Output Specifications:	RS-232 Output in Comma-Delimited ASCII Text Format
Hazardous Location Certifications:	
Intrinsic Safety Ex ia[ia] IIC T4 Ga:	-40 Deg C < Ta < 70 Deg C (with Tadrian TL5930 cells) -40 Deg C < Ta < 50 Deg C (with Xeno XL-205F cells)
Special Features:	
<ul style="list-style-type: none"> • Microprocessor-based electronics • Large internal memory for more storage • Menu-driven interface • Low-battery detection • IP66 enclosure 	
Included Accessory Items (All Models):	
Meter Prover, Operation Manual, Corrosion Data Management Software.	
Included Accessory Items (MS3610E):	
Current Loop Connector	
Optional Accessories:	
Product Code: ET1650 - Certified USB Flash Drive	
Bluetooth transfer unit	

5.7 Models MS4500E & MS4500E-HC Portable High Resolution Data-Loggers For Electrical Resistance Probes



The Model MS4500E and MS4500E-HC are hand-held, battery powered, corrosion meters capable of measuring and storing data from all types of electrical resistance (ER) corrosion probes.

The instrument is light weight, microprocessor-based and features a simple, menu-driven interface using a keypad and a backlit graphical LCD display.

Corrosion rate measurements are made using the electrical resistance method.



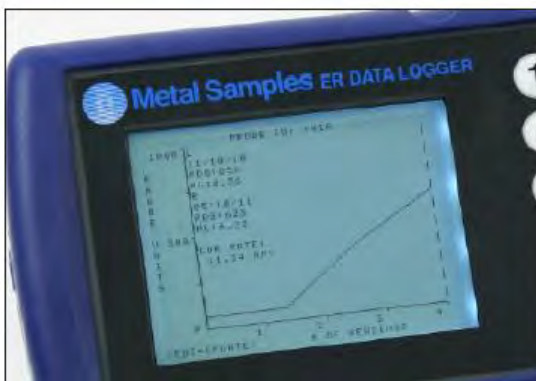
Essentially, the instrument measures the resistance of the probe element which changes over time, as metal loss occurs. The rate of change is directly proportional to corrosion rate. This method finds a wide variety of applications since it can be used in conductive and nonconductive environments such as petroleum, chemical, water, soil, or even atmosphere.

The new high-resolution measurement of the instrument detects smaller increments of metal loss, providing faster response than traditional ER instruments.

After taking a reading, the instrument displays metal loss in mils and corrosion rate in mils per year (mpy). The reading can then be stored to memory or discarded. All stored readings are automatically time and date stamped. Readings are stored to non-volatile Flash memory which retains data without the need for a battery backup.

The instrument can store 16,000 readings per probe on up to 250 different probes (4 million total). Stored data can be downloaded down-loaded to a USB Flash ("jump") drive in safe area or to a certified USB flash drive if downloading in a hazardous area. Data can be downloaded directly to a PC via certified USB cable with barrier.

Data can be opened and charted using the provided CDMS software, or can be imported into any standard data analysis (spread-sheet) program such as Microsoft Excel. Data can also be reviewed and charted on the instrument's LCD display for quick reference.



On-screen charting



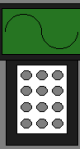
Transfer data directly to USB Flash drive

Pictures are for illustrative purposes only

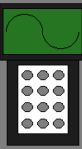
The MS4500E-HC has a high capacity battery, for increased battery life.

5.7

Models MS4500E & MS4500E-HC Portable High Resolution Data-Loggers For Electrical Resistance Probes



Model MS4500E & MS4500E-HC Technical Specifications		
MS4500E - High Resolution ER Data-Logger, Portable		
MS4500E-HC - High Resolution ER Data-Logger, Portable, With High Capacity Battery		
Physical Data	MS4500E	MS4500E-HC
Instrument Weight:	0.78kg (1.71lb.)	1.00kg (2.21lb)
Total Weight With Case & Accessories:	3.16 kg (6.96 lb.)	3.38kg (7.46lb)
Instrument Dimensions:	21.77cm x 11.53cm x 5.59cm (8.75"L x 4.54"W x 2.20"D)	
Carry Case Dimensions:	36.83cm x 28.89cm x 14.92cm (14.50"L x 11.38"W x 5.88"D)	
Performance Data	MS4500E	MS4500E-HC
Measurement Type:	ER measurement using any standard ER probe type (Wire Loop, Tube Loop, Cylindrical, Flush, Strip, etc.)	
Operating Temperature:	-20°C to 60°C (-4°F to 140°F)	-20° to 70°C (-4° to 158°F)
Storage Temperature:	-20°C to 70°C (-4°F to 158°F)	-40° to 70°C (-40° to 158°F)
Range:	0-25,000 probe life units (displayed as 0.00 to 1000.00 PLU's in 0.04 increments)	
Resolution:	0.004% of Probe Life	
Repeatability:	+/- 0.1% of Full Scale	
Electrical Data	MS4500E	MS4500E-HC
Power Requirements MS4500E:	Four AA Batteries - Duracell PC1500 (or Duracell MN1500)	Two 'C' size 3.6V Lithium Batteries (Xeno Energy XL-145F or Tadiran TL4920)
Maximum Probe Cable Distance:	61m (200ft)	
Download Method:	Directly to USB Flash drive To PC using certified barrier	
Hazardous Location Certifications	MS4500E	MS4500E-HC
Intrinsic Safety USA/ Canada	For use in Class I Zone 0 AEx ia [ia] IIC T4 Ga Ex ia [ia] IIC T4 Ga Class I, Division 1, Groups A,B,C & D, T4 Provides outputs to Class I, Division 1 [Ex ia] -25°C ≤ Ta ≤ +60°C -40°C ≤ Ta ≤ +70°C	
Intrinsic Safety Europe and Worldwide (ATEX and IECEx)	II 1 G Ex ia [ia] IIC T4 Ga -25°C ≤ Ta ≤ +60°C -40°C ≤ Ta ≤ +70°C ATEX Certificate No: ITS18ATEX203161X IECEx Certificate No: IECEx ETL 18.0007X	
Special Features		
<ul style="list-style-type: none"> • High resolution ER measurement for rapid response • Data storage capacity of 16,000 readings per probe on 250 different probes (4 million total) • Backlit graphical LCD display (320 x 240 pixel resolution) • On-screen charting • Automatic data-logging • Non-volatile Flash memory • Multilingual menu (English, Spanish, Portuguese, French) • Portable 		
Included Accessories		
Carrying Case, Probe Cable (1' coiled - 6' extended), Meter Prover, Operation Manual, Corrosion Data Management Software, Protective Boot		
Optional Accessories		
Product Code: ET1650 - Certified USB Flash Drive		
Product Code: ET1867 - Certified USB Barrier		



5.8 ET1650 – Certified USB Flash Drive

The ET1650 Certified USB flash drive is a data transfer unit (DTU) which is certified for use in hazardous locations when used in conjunction with MS35XX, MS36XX, MS4500E, MS4500E-HC, and MS50XX data-loggers.

The certified DTU allows the user to collect data from the listed data loggers without having to remove the product from the classified area.

The DTU incorporates non-volatile flash memory and has sufficient memory to store millions of readings.



It can be connected to any standard PC using the industry standard USB Type-A connector. The certified DTU must be connected and used in accordance with the control drawing for the appropriate instrument.



Specifications:

Storage Capacity: 8 GB

Operating Temperature: -40° C to 70° C

Storage Temperature: -40° C to 85° C

Humidity: 10-90% RH, non-condensing

Housing: ABS Polycarbonate

USB Class: 1.1 or 2.0

USB Type: Type A

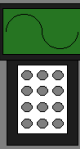
Operating System: Windows 7, Windows 8, Windows 10

Protection Class: II 1 (1) G Ex ia[ia]IIC T4 Ga

Certificate: ITS18ATEX203161X
IECEX ETL 18.0007X

Connection Parameters

U _o max	≤ 6.0
I _o max	≤ 747.5mA
P _o max	≤ 923.1mW
C _o	12.71μF
L _o	0.37μH



5.9 ET1867 – Certified USB Barrier

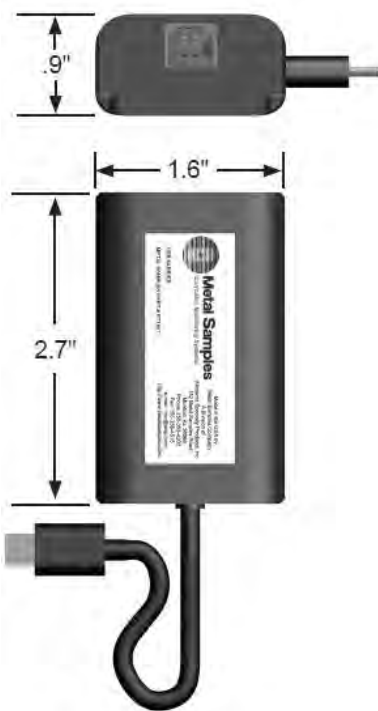
The ET1867 is a certified USB barrier which allows portable, certified instruments models MS4500E and MS4500E-HC to be connected directly to a PC via the USB port.

The barrier protects the certified instrument from potential damage caused by excessive energy that could enter through the PC's USB port.



This barrier is required to connect the MS4500E or MS4500E-HC directly to a PC. The USB barrier connects to the instruments using a standard USB mini-B connector and connects to a PC using a standard USB-A to USB-B (printer) cable.

The certified USB barrier must be connected and used in accordance with the control drawing for the MS4500E or MS4500E-HC instrument..



Specifications:

Operating Temperature: -40° C to 70° C

Storage Temperature: -40° C to 85° C

Humidity: 10-90% RH, non-condensing

Housing: ABS Polycarbonate

USB Class: 1.1 or 2.0

USB Type: Type B (To PC Interface) USB Mini-B (To Instrument)

Protection Class: II 1 (1) G Ex ia[ia] IIC T4 Ga

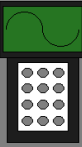
Certified to use with Metal Samples MS4500E and MS4500E-HC Instruments at Non-Hazardous locations

Certificate: ITS18ATEX203161X
IECEX ETL 18.0007X

Connection Parameters

$U_o \text{ max}$	≤ 6.0
-------------------	------------

5.10 Model MS1000 Portable Corrosion Meter For Linear Polarisation Resistance Probes



The MS1000 is a hand-held, battery-powered corrosion meter. This versatile instrument measures the instantaneous corrosion rate and electrochemical current between the electrodes of any standard 2-electrode linear polarization resistance (LPR) probe.

Corrosion rate measurements are made using the linear polarization resistance technique. The instrument measures the current required to polarize the electrodes of a probe to a known potential. From the polarization potential and the measured current, polarization resistance can be calculated.

Then, using Faraday's law, instantaneous corrosion rate is calculated from polarization resistance.

The MS1000 is designed to calculate the corrosion rate in mils per year (mpy) for carbon steel. Multiplication factors for several common alloys have been included on the front panel of the instrument for quick reference. Multiplication factors for other alloys can be easily calculated using the formulas supplied in the operation manual.



*Probe shown in photo is not included
with corrosion meter*

The MS1000 also offers a high precision zero resistance ammeter (ZRA) for measuring the electrochemical current between electrodes. This function may be used to measure the galvanic current between electrodes of dissimilar alloys.

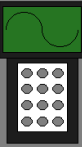
The MS1000 has a simple function key interface, using a 4-key keypad and a 4-line LCD display. The instrument also offers low-battery detection and an auto-shutoff feature to conserve battery life.

5.10
Model MS1000
Portable Corrosion Meter
For Linear Polarisation Resistance Probes



Model MS1000 Technical Specifications	
MS1000 – LPR Corrosion Meter	
Physical Data	
Instrument Weight:	0.38Kg (0.84 lb.)
Total Weight w/ Carrying Case and Accessories:	2.36Kg (5.20 lb.)
Instrument Dimensions:	19.38cm (H) x 10.54cm (W) x 3.30cm (D) (7.63" x 4.15" x 1.3")
Carrying Case Dimensions:	25.40cm (H) x 29.85cm (W) x 13.72cm (D) 10" x 11.75" x 5.4"
Operating Temperature:	0° to 50°C (32° to 122°F)
Storage Temperature:	-20° to 70°C (-4° to 158°F)
Performance Data	
Measurement Type:	2-Electrode LPR Galvanic
Range:	2-Electrode: 0-40 mpy Galvanic 0-80 µA
Resolution:	2-Electrode: 0.02 mpy Galvanic 0.04 µA
Cycle Time:	Corrosion Rate: 60 sec ZRA: 30 sec
Electrical Data	
Power Requirements:	One 9V Li-Ion Rechargeable Battery (see below)
Maximum Probe Cable Distance:	609.6m (2000 ft)
Special Features	
<ul style="list-style-type: none"> • Microprocessor-based electronics • Function key interfacing using 4-key keypad and 4-line LCD display • Low-battery detection • Portable 	
Accessory Items	
Carrying Case, 10ft Probe Cable, Battery Charger, Lightweight Protective Case, Meter Prover, Operation Manual	
Li-Ion Rechargeable Battery & Charger	
Li-Ion Battery Features	
<ul style="list-style-type: none"> • 9V • 400mAH capacity 	
Li-Ion Charger Features:	
<ul style="list-style-type: none"> • Multi-voltage input for domestic & international use (100-240 VAC 50/60Hz) • Automatic cut-off when battery is charged (to prevent over-charging) • Red / Green LED's to indicate when battery is charging / full 	

5.11 Model MS1500L Portable Corrosion Meter For Linear Polarisation Resistance Probes



The Model MS1500L is a hand-held, battery-powered, intrinsically safe corrosion meter capable of measuring and storing data from all types of 2- or 3-electrode linear polarization resistance (LPR) corrosion probes.

The instrument is light weight, microprocessor-based, and features a simple, menu-driven interface using a 12-key keypad and a 4-line LCD display.

Corrosion rate measurements are made using the linear polarization resistance technique. The instrument measures the current required to polarize the electrodes of a probe to a known potential.

From the polarization potential and the measured current, polarization resistance can be calculated.

Then, using Faraday's law, the instantaneous corrosion rate can be calculated from polarization resistance.



Probe shown in photo not included with corrosion meter

The MS1500L incorporates a high-precision zero-resistance ammeter (ZRA) for measuring galvanic current between electrodes. It also offers a high-precision voltmeter for measuring the open-circuit potential between electrodes.

After performing a measurement, the instrument displays the corrosion rate, current, or potential, depending on the mode selected. The reading can then be stored to memory or discarded.


All stored readings are automatically time and date stamped, and are protected by a lithium back-up battery. The instrument can store a maximum of 3,000 readings on up to 100 different probes.

Stored data can be uploaded to a PC as a comma-delimited ASCII text file. Because the data is in ASCII text format, it can be imported into any standard data analysis program such as Microsoft Excel. Data can also be reviewed on the instrument's LCD display for quick reference.

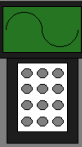
The MS1500L may also be used as a data transfer unit (DTU) for the MS3500L Remote Data Logger. Data may be transferred from multiple MS3500L field-based units to the MS1500L, then later transferred to a PC for analysis.

5.11
Model MS1500L
Portable Corrosion Meter
For Linear Polarisation Resistance Probes



Model MS1500L Technical Specifications		
MS1500L – Handheld ER Corrosion Data Logger (Ordering #IN1500)		
Physical Data		
Instrument Weight:	0.64 kg (1.4 lb)	
Total Weight w/ Carrying Case & Accessories:	2.39 kg (5.26 lb)	
Instrument Dimensions:	19.38cm H x 10.54cm W x 5.08cm D (7.63" x 4.15" x 2")	
Carrying Case Dimensions:	25.40cm H x 29.85cm W x 13.72cm D (10" x 11.75" x 5.4")	
Operating Temperature:	0° to 50°C (32° to 122°F)	
Storage Temperature:	-20° to 70°C (-4° to 158°F)	
Performance Data		
Measurement Type	Range	Resolution
2-Electrode	0 to 200 mpy	0.01 mpy
3-Electrode	0-150 mpy	0.01 mpy
Galvanic	± 999µA	1 µA
Potential	± 999mV	1mV
Electrical Data		
Power Requirements	One 9V Battery	
Maximum Probe Cable Distance:	1.83m (6ft)	
Output Specifications:	RS-232 Output in Comma-Delimited ASCII Text Format	
Intrinsic Safety:	 Class I, Division 1 Groups A, B, C and D Temperature Code T2D Class I, Zone 0 Group IIC, T2D Conforms to ANSI/UL Std. 913	
Special Features:		
- Microprocessor-based electronics		
- Data storage capacity of 3,000 readings on 100 different probes, with battery backup		
- Menu-driven interface using a 12-key keypad and a 4-line LCD display		
- Low-battery detection		
- Portable		
Accessory Items		
Carrying Case, 6" Probe Cable (attached), Meter Prover, 6 to 5-pin Adapter, Galvanic Adapter, Communications Cable and Connector, Operation Manual, Corrosion Data Management Software.		

5.12 Model MS2001L Remote Continuous Corrosion Meter For Linear Polarisation Resistance Probes



The MS2001L is a microprocessor-based, field-mountable corrosion rate meter.

This versatile instrument measures the instantaneous corrosion rate and electrochemical current between the electrodes of any standard 2-electrode linear polarization resistance (LPR) probe.

Corrosion rate is displayed on the LCD display.

Corrosion rate measurements are made using the linear polarization resistance technique.

The instrument measures the current required to polarize the electrodes of a probe to a known potential.

From the polarization potential and the measured current, polarization resistance can be calculated. Then, using Faraday's law, instantaneous corrosion rate is calculated from polarization resistance.

Alloy multipliers for mild steel, copper, brass, and lead are incorporated into the instrument. The multiplier is selected using a switch on the front panel of the instrument.

The MS2001L also offers a high precision zero resistance ammeter (ZRA) for measuring the electrochemical current between electrodes. This function may be used to measure the galvanic current between electrodes of dissimilar alloys.

The instrument is housed in a NEMA-4X enclosure, making the MS2001L suitable for use in almost any indoor or outdoor environment.



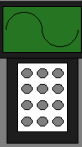
5.12
Model MS2001L
Remote Continuous Corrosion Meter
For Linear Polarisation Resistance Probes



Model MS2100L Technical Specifications	
MS2001L - Continuous LPR Corrosion Meter (Ordering # IN2001L)	
Physical Data:	
Instrument Weight:	0.78 kg (1.72 lb.)
Total Weight w/ Accessories:	1.33 kg (2.93 lb.)
Instrument Dimensions:	15cm H x 15cm W x 9.1cm D (5.91"H x 5.91"W x 3.57"D)
Case Specifications:	NEMA-4X / IP66
Mounting Specifications:	12cm x 16.7cm (4.72"H x 6.55"W) Bolt Pattern 0.48cm (0.188") Diameter Bolt Holes
Operating Temperature:	0° to 50°C (32° to 122°F)
Storage Temperature:	-20° to 70°C (-4° to 158°F)
Performance Data:	
Measurement Type:	2-Electrode LPR, Galvanic
Range:	2-Electrode: 0-40 mpy Galvanic: +/- 0-80 µA
Resolution:	2-Electrode: 0.02 mpy Galvanic: 0.04 µA
Cycle Time:	90 seconds
Electrical Data:	
Power Requirements:	100-240 VAC, 50/60 Hz
Maximum Probe Cable Distance:	609.6m (2000ft)
Special Features:	
<ul style="list-style-type: none"> • Alloy selector switch (Mild Steel, Copper, Brass, and Lead) • 4-line, backlit LCD display • Universal power supply input • Continuous corrosion rate display (numeric value and 20-segment bar graph) 	
Included Accessory Items:	
10ft Probe Cable, Meter Prover, Operation Manual	

5.13

Models MS2100L & MS2150L - CorrTran AQUA 4-20mA/HART® Transmitters For Linear Polarisation Resistance Probes



Models MS2100L and MS2150L CorrTran AQUA are compact corrosion transmitters used in the water treatment industry that measure general corrosion, localised corrosion (pitting), and conductance, and transmits that information to operators via 4 to 20mA / HART® protocol in real time. The corrosion rate or pitting factor is configured as the primary variable using a standard 2-wire 4 to 20 mA output. The remaining outputs are configured as secondary and tertiary HART variables.

The CorrTran AQUA utilises state-of-the-art algorithms and data analysis techniques to accurately measure general corrosion rate and pitting. Harmonic distortion analysis (HDA) is applied to improve the performance of the industry-accepted linear polarisation resistance (LPR) technique used to measure corrosion rate.



Probe shown in photo not included with transmitter

To further enhance the performance, an application specific Stern-Geary variable (B value) is calculated and updated every measuring cycle. There is no need to manually update the B value because of process changes.

During the measurement cycle, the CorrTran AQUA also performs an automated electrochemical noise (ECN) measurement, which in combination with the corrosion rate data can provide a measurement of localised corrosion (pitting).

The CorrTran AQUA works with Metal Samples three electrode CorrTran style probes and electrodes. Probes are available in a variety of mounting types and materials to suit almost any type of installation.

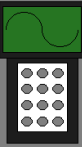
Features

- On-line corrosion monitoring, multivariable
- Install in an existing coupon rack
- 2-wire, 4 to 20 mA transmitter, HART interface
- General corrosion, localized corrosion (pitting), and conductance monitoring via HART
- Stern-Geary B value automatically updated for changes in the process
- Optional local LCD (MS2150L)
- Optional cable gland entry

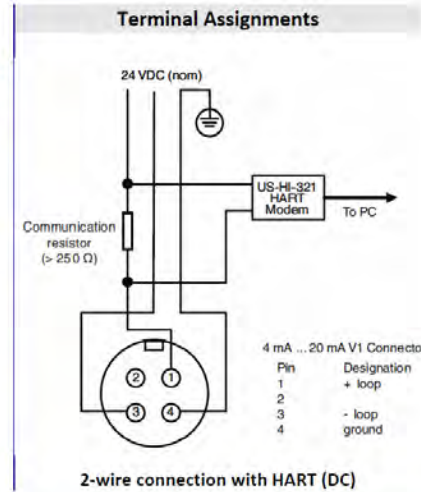
Model MS2100L & MS2150L Ordering Product Code Generation			
MS21		CorrTran Aqua Transmitter	
		Display	
	0	No Display	
	5	With Display	
		Cable Entry	
	0L	4 Pin Cable Connector (External)	
	1L	Cable Gland Entry (Internal 3-Pin Electrical Connector)	
MS21	0	0L	Example of Transmitter Ordering Product Code

5.13

Models MS2100L & MS2150L - CorrTran AQUA 4-20mA/HART® Transmitters For Linear Polarisation Resistance Probes



Model	MS2100L CorrTran AQUA LPR 4-20mA/HART Transmitter
Physical Data	
Instrument Weight	1.1 lb (500 g)
Instrument Dimensions	7.1" x 5.4" x 2.4" (180mm x 137mm x 61mm) without LCD display 7.1" x 5.4" x 3.4" (180mm x 137mm x 86mm) with LCD display
Operating Temperature	-40 to 158°F (-40 to 70°C) without LCD display 14 to 122°F (-10 to 50°C) with LCD display
Enclosure Material	ABS
Degree of Protection	IP66, NEMA 4X
Electrical Data	
Electrical Connection	2-wire 4-20 mA with HART
Supply Voltage	11-30 VDC without LCD display 15-30 VDC with LCD display
Current Consumption	4 to 22.5 mA
Maximum Load (at 24 V DC)	575 Ω with high alarm / 650 Ω without high alarm (without display) / 850 Ω without high alarm (with display)



Measurement Data	
Probe Type	3-Electrode LPR
Measurement Type	General Corrosion¹
Measurement Unit	mpy (mils per year) or mmpy (mm per year)
Measurement Range(s)	Default Range: 0 to 40 mpy (0 to 1 mmpy)
Measurement Range(s)	Maximum ² : 400 mpy (10 mmpy)
	¹ Instantaneous corrosion rate available as a primary variable. Average corrosion rate available via HART.
	² Range adjustable via HART or factory set.
	Adjustment for these variables can be achieved through any HART-compatible device using the CorrTran MV DD or with PACTware: configuration software that makes it easy to program equipment via HART.
Factory Settings	B value (Stern Geary value): 25.6 mV
	K value (corrosion constant): 11800 (2e- in reaction)
Measurement Cycle	4 to 34 minutes (depends on configuration)
	Localized Corrosion
	Unitless
	Low Range: 0.0 to 0.01
	Medium Range: 0.01 to 0.1
	High Range: 0.1 to 1.0
	Conductance
	microSiemens (μS)
	5 to 333,333

Output Data	
Output Signal	4-20 mA with HART protocol
Alarm Events	Alarm on over-range
Alarm Types	Digital and Analog (configurable)
Analog Alarm Options	Current high (22.5 mA) with auto-reset (default), current high with manual reset, or none
Load	Minimum load for HART communication: 250 Ω

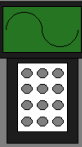
Certificates and Approvals	
Patents	U.S. patents: 7,239,156; 7,245,132; 7,265,559; 7,282,928

Conformity Information	
Degree of Protection	EN 60529

Accessory	Ordering Code
CorrTran Com Tools	ET915549
HART modem, HART to USB interface	ET915548
HART Loop Converter. Converts HART signal to 3 separate 4 to 20 mA outputs.	ET1804

5.14

Model MS2900L - CorrTran MV 4-20mA/HART® Transmitter For Linear Polarisation Resistance Probes



The Model MS2900L CorrTran MV transmitter measures general corrosion, localised corrosion (pitting), and conductance, and transmits that information to operators via 4 to 20mA / HART® protocol in real time.

The corrosion rate or pitting factor is configured as the primary variable using a standard 2-wire 4 to 20 mA output. The remaining outputs are configured as secondary and tertiary HART variables.

The CorrTran MV utilises state-of-the-art algorithms and data analysis techniques to accurately measure general corrosion rate and pitting.

Harmonic distortion analysis (HDA) is applied to improve the performance of the industry-accepted linear polarisation resistance (LPR) technique used to measure corrosion rate.

To further enhance the performance, an applicationspecific Stern-Geary variable (B value) is calculated and updated every measuring cycle. There is no need to manually update the B value because of process changes.



During the measurement cycle, CorrTran MV also performs an automated electrochemical noise (ECN) measurement, which in combination with the corrosion rate data can provide a measurement of localized corrosion (pitting).

The CorrTran MV works with Metal Samples threeelectrode CorrTran style probes and electrodes. Probes are available in a variety of mounting types and materials to suit almost any type of installation.

Features

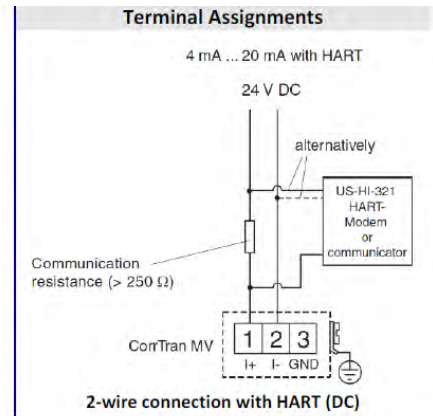
- On-line corrosion monitoring, multivariable
- 2-wire, 4 to 20 mA transmitter, HART interface
- General corrosion, localized corrosion (pitting), and conductance monitoring via HART
- Stern-Geary B value automatically updated for changes in the process

Model MS2900L Ordering Product Code Generation			
MS2900L	CorrTran MV Transmitter		
	Mounting Type		
	DM	Direct Mount	
	06	Remote Mount with 6ft (1.8m) Cable	
	12	Remote Mount with 12ft (3.6m) Cable	
	XX	Special (Remote Mount with XX' of Cable)	
	Certification		
	D2	CSA, NI, Class I, Div 2, Group A-D	
	Ex	Explosion/Flame Proof	
	GP	General Purpose	
	IS	CSA, IS, Class I, Div. 1, Group A-D ⊕II 1G EEx ia IIC T4	
MS2900L	DM	D2	Example of Transmitter Ordering Product Code

5.14 Model MS2900L - CorrTran MV 4-20mA/HART® Transmitter For Linear Polarisation Resistance Probes



Model	MS2900L CorrTran MV LPR 4-20mA/HART Transmitter
Physical Data	
Instrument Weight	1.1 lb (500 g)
Instrument Dimensions	3.78" x 3.15" x 6.30" (96mm x 80mm x 160mm)
Operating Temperature	-40 to 158 °F (-40 to 70 °C)
Enclosure Material	Aluminum
Degree of Protection	IP66, NEMA 4X
Electrical Entry	¾ NPT
Electrical Data	
Electrical Connection	2-wire 4-20 mA with HART
Minimum terminal voltage	11 V at 20 mA without alarm, or at 22.5 mA with alarm
Maximum terminal voltage	30 V
Current Consumption	4 to 22.5 mA
Maximum Load (at 24 V DC)	575 Ω with high alarm, or 650 Ω without high alarm



Measurement Data			
Probe Type	3-Electrode LPR		
Measurement Type	General Corrosion ¹	Localized Corrosion	Conductance
Measurement Unit	mpy (mils per year) or mmpy (mm per year)	Unitless	microSiemens (µS)
Measurement Range(s)	Default Range: 0 to 40 mpy (0 to 1 mmpy) Maximum ² : 1000 mpy (25 mmpy) ¹ Instantaneous corrosion rate available as a primary variable. Average corrosion rate available via HART. ² Range adjustable via HART or factory set.	Default Range: 0.0 to 1.0 Low Range: 0.0 to 0.3 High Range: 0.3 to 1.0	5 to 333,333
Maximum Measured Error	Excitation voltage < 0.05% of full span Corrosion current measurement < 0.2% of full span		
Factory Settings	B value (Stern Geary value): 25.6 mV K value (corrosion constant): 11800 (2e- in reaction)		
Measurement Cycle	4 to 21 minutes (depends on configuration)		

Output Data	
Output Signal	4-20 mA with HART protocol
Alarm Events	Alarm on over-range
Alarm Types	Digital and Analog (configurable)
Analog Alarm Options	Current high (22.5 mA) with auto-reset (default), current high with manual reset, or none
Output Damping	0, 1, 2, 5, 10, 20, 50 s
Load	Minimum load for HART communication: 250 Ω

Certificates and Approvals	
Ex Approval	LCIE 05 ATEX 6097X , for additional certificates contact Metal Samples
CSA Approval	cCSAus certified for USA and Canada; Certificate no. 1563164 IS: Cl. I, II, III; Div. 1, 2; Groups A-G EX: Cl. I; Div. 1, 2; Groups A-D NI: Cl. I, II, III; Div. 2; Groups A-G
Type of Protection	Ⓜ II 1G EEx ia IIC T4
Patents	U.S. patents: 7,239,156; 7,245,132; 7,265,559; 7,282,928

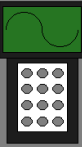
Conformity Information	
Directive 94/9/EC (ATEX)	EN 50014, EN 50020, EN 50284
Degree of Protection	EN 60529

EC-Type Examination Certificate, Statement of Conformity, Declaration of Conformity, Attestation of Conformity and instructions have to be observed where applicable. For information contact Metal Samples.

Accessory	Ordering Code
CorrTran Com Tools	ET915549
Wall or pipe mounting bracket for remote mounted transmitters	ET905775
HART modem, HART to USB interface	ET915548

Intrinsic Safety Isolators	Ordering Code
SMART transmitter power supply, 1-channel, IS isolator	ET231364
SMART transmitter power supply, 2-channel, IS isolator	ET229332
Transmitter supply isolator, 4 to 20 mA, 1-channel, IS limit alarm	ET255622
SMART transmitter power supply, compact version, 1-channel, IS isolator	ET185535

5.15 Models MS3500L & MS3510L Remote Data-Logger For Linear Polarisation Resistance Probes



Models MS3500L & MS3510L are battery powered, intrinsically safe, remote data-loggers capable of measuring and storing data from all types of linear polarization resistance (LPR) corrosion probes.

The instrument is microprocessor-based and features a simple, menu-driven interface using a 2-key keypad and a 2-line LCD display.

Corrosion rate measurements are made using the linear polarization resistance technique. The instrument measures the current required to polarize the electrodes of a probe to a known potential.



From the polarization potential and the measured current, polarization resistance can be calculated. Then, using Faraday's law, the instantaneous corrosion rate can be calculated from polarization resistance.

The MS3500L Remote Data Logger is designed to provide a continuous record of corrosion activity in remote locations that are infrequently visited, such as cross country pipelines and unmanned production platforms. However, this unit finds equal application in locations that are inconvenient or difficult to access on a regular basis.

The MS3500L incorporates a high-precision zero-resistance ammeter (ZRA) for measuring galvanic current between electrodes. It also offers a high-precision voltmeter for measuring the open-circuit potential between electrodes.

The MS3500L takes probe readings on a user-programmable logging interval. Readings are time and date stamped as they are taken, then stored to memory. Between readings, the instrument remains in a "sleep" mode to conserve main battery power. The instrument's memory is capable of storing 3,000 readings, and is protected by a lithium back-up battery.

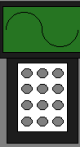
Stored data can be uploaded to a PC as a comma-delimited ASCII text file. Because the data is in ASCII text format, it can be imported into any standard data analysis program such as Microsoft Excel. Data can also be reviewed on the instrument's LCD display for quick reference.


Stored data can also be downloaded to a Metal Samples Model MS1500L Hand Held LPR Data Logger for transfer to a PC. This handy feature eliminates the need to remove the MS3500L from its site, or to bring a laptop PC to the site. This can be particularly useful when collecting data from multiple MS3500L Data Loggers. And since both the MS3500L and the MS1500L are intrinsically safe, data can be uploaded from the MS3500L to the MS1500L even in hazardous locations.

The MS3500L also offers an optional 4-20mA current loop output (model MS3510L). This feature allows data from the instrument to be fed directly to any industrial process computer that accepts analogue inputs.

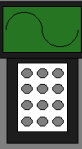
The instrument is housed in a stainless steel NEMA 4X enclosure, and all external connections are weather-proof. This makes the MS3500L suitable for use in almost any indoor or outdoor environment.

5.15
Models MS3500L & MS3510L
Remote Data-Logger
For Linear Polarisation Resistance Probes



Model MS3500L Technical Specifications			
MS3500L – Remote LPR Data Logger (Ordering # IN3500L)			
MS3510L – Remote LPR Data Logger with 4-20mA Current Loop Output (Ordering # IN3510L)			
Physical Data:			
Instrument Weight:	5.42 Kg (11.94 lb.)		
Total Weight w/ Accessories:	6.19 Kg (13.64 lb.)		
Instrument Dimensions:	29.21cm H x 22.71cm W x 10.16cm D (11.5" x 8.94" x 4")		
Case Specifications:	NEMA-4X / IP66 Stainless Steel		
Mounting Specifications:	27.31cm H x 15.24cm W (10.75" x 6") Bolt Pattern 0.76 cm (0.3") Diameter Bolt Holes		
Operating Temperature:	0° to 50°C (32° to 122°F)		
Storage Temperature:	-20° to 70°C (-4° to 158°F)		
Performance Data:			
Measurement Type	Range	Resolution	Cycle Time
2-Electrode	0-200 mpy	0.01 mpy	1 minute to 99 hours
3-Electrode	0 to 150 mpy	0.01 mpy	1 minute to 99 hours
Galvanic	± 999 µA	1µA	1 minute to 99 hours
Potential	± 999 µA	1 mV	1 minute to 99 hours
Electrical Data:			
Power Requirements:	Six 1.5V AA Batteries		
Maximum Probe Cable Distance:	3.05m (10 ft.)		
Output Specifications:	RS-232 Output in Comma-Delimited ASCII Text Format		
Intrinsic Safety	 Class I, Division 1 Groups A, B, C and D Temperature Code T3 Class I, Zone 0 Group IIC, T3C Conforms to ANSI/UL Std. 913		
Special Features:			
- Microprocessor-based electronics			
- Data storage capacity of 3,000 readings, with battery backup			
- Menu-driven interface using a 2-key keypad and a 2-line LCD display			
- Low-battery detection			
Included Accessory Items (All Models):			
10ft Probe Cable, Meter Prover, 6 to 5-Pin Adapter, Galvanic Adapter, Communications Cable and Connector, Operation Manual, Corrosion Data Management Software.			
Included Accessory Items (MS3510L):			
Current Loop Connector			
Optional Accessories:			
MS1500L portable data-logger and data-transfer device			

5.16 Model MS6200L Bench Top Data-Logger For Linear Polarisation Resistance Probes



The MS6200L is a bench-top data logger capable of measuring and storing data from all types of linear polarization resistance (LPR) corrosion probes.

The instrument is microprocessor-based and features a simple, menu-driven interface using a 2-key keypad and a 2-line LCD display.



It is housed in a rugged but lightweight plastic enclosure and is ideally suited for use in laboratory environments. The adjustable handle can be used for carrying the unit, or can be used as a tilt stand to adjust the viewing angle.

Corrosion rate measurements are made using the linear polarization resistance technique. The instrument measures the current required to polarize the electrodes of a probe to a known potential. From the polarization potential and the measured current, polarization resistance can be calculated. Then, using Faraday's law, the instantaneous corrosion rate can be calculated from polarization resistance.

The MS6200L incorporates a high-precision zero-resistance ammeter (ZRA) for measuring galvanic current between electrodes. It also offers a high-precision voltmeter for measuring the open-circuit potential between electrodes.

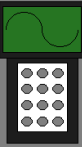
The MS6200L takes probe readings on a user-programmable logging interval. Readings are time and date stamped as they are taken, then stored to memory. Between readings, the instrument remains in a "sleep" mode to conserve energy. The instrument's memory is capable of storing 3,000 readings, and is protected by a lithium back-up battery. Stored readings can be downloaded to a computer via USB or serial port for further analysis using the provided software. The software provides a simple and intuitive interface for downloading, viewing, and graphing the data.

5.16
Model MS6200L
Bench Top Data-Logger
For Linear Polarisation Resistance Probes



Model MS6200L Technical Specifications			
MS6200L - Bench-Top LPR Data Logger			
Physical Data:			
Instrument Weight:	1.02 Kg (2.25 lb.)		
Total Weight w/ Accessories:	2.02 Kg (4.45 lb.)		
Instrument Dimensions:	6.6cm H x 26cm W x 16.5cm D (2.6" H x 10.3" W x 6.5" D)		
Operating Temperature:	0° to 50°C (32° to 122°F)		
Storage Temperature:	-20° to 70°C (-4° to 158°F)		
Performance Data:			
Measurement Type	Range	Resolution	Cycle Time
2-Electrode	0-200 mpy	0.01 mpy	2 minute to 99 hours
3-Electrode	0 to 150 mpy	0.01 mpy	1 minute to 99 hours
Galvanic	± 999 µA	1µA	1 minute to 99 hours
Potential	± 999 µA	1 mV	1 minute to 99 hours
Electrical Data:			
Power Requirements:	100-240 VAC, 50/60 Hz		
Maximum Probe Cable Distance:	3.05m (10 ft.)		
Output Specifications:	RS-232 Output in Comma-Delimited ASCII Text Format		
Special Features:			
- Microprocessor-based electronics			
- Data storage capacity of 3,000 readings, with battery backup			
- Menu-driven interface using a 2-key keypad and a 2-line LCD display			
Included Accessory Items:			
10' Probe Cable, Meter Prover, 6 to 5-Pin Adapter, Galvanic Adapter, Communications Cable and Connector, Operation Manual, Corrosion Data Management Software			

5.17 Model MS2540 Data Receiver / Repeater



The MS2540 Receiver is designed to be used with ER and LPR current loop transmitters to provide a single-channel corrosion monitoring system.

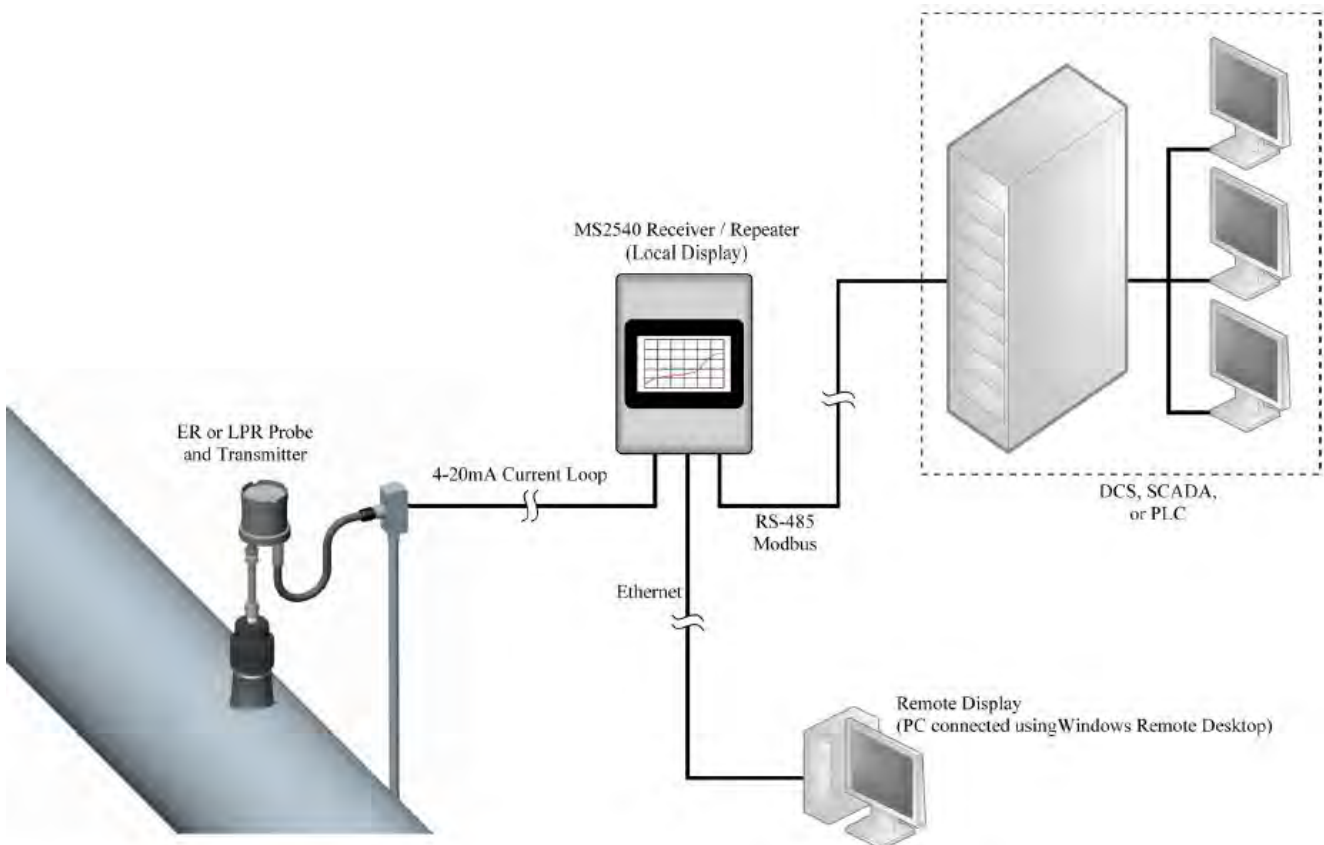
The MS2540 provides a local display of the probe and transmitter data. Additionally the MS2540 can repeat the information to a plant control room via RS-485 Modbus.

The MS2540 utilizes a color touch screen to display information and present user controls. The unit is powered by 100-240 VAC, and provides the 24 VDC supply for powering the transmitter's 4-20 mA loop.

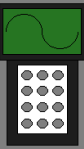
The receiver processes the 4-20 mA signal to provide a digital readout of the cumulative metal loss and the probe corrosion rate based on the monitoring period set by the user (48 hours, 7 days, 15 days or 30 days).



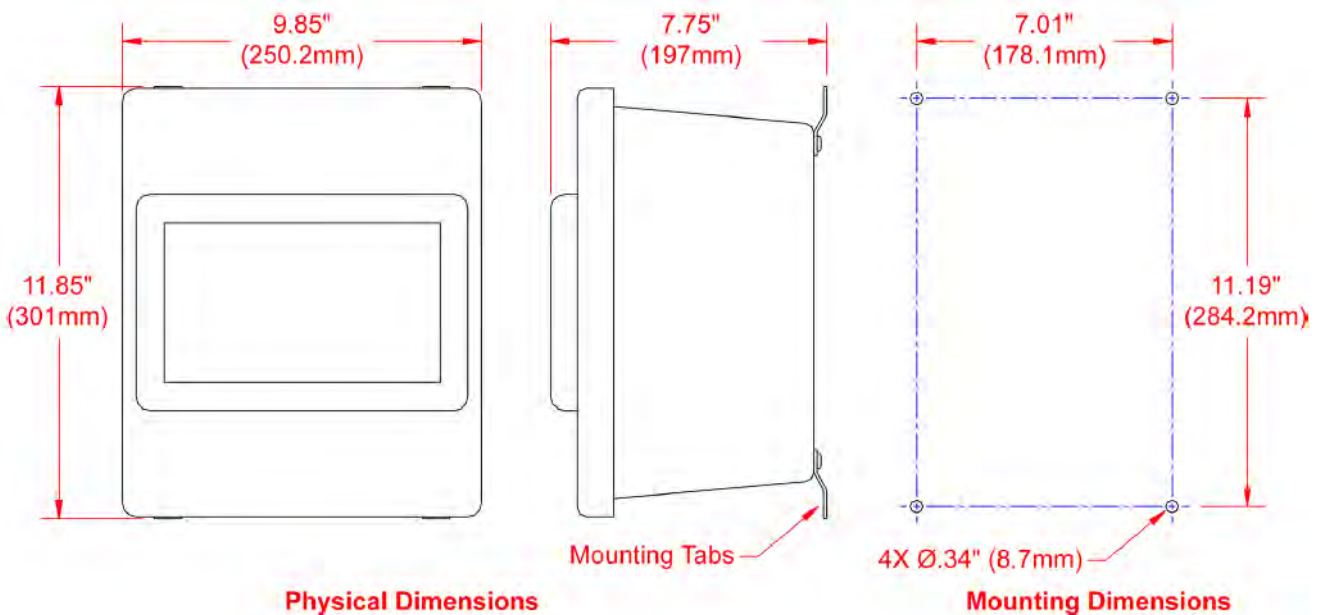
The MS2540 also offers an integrated web server. This feature allows users to access the MS2540 from any PC on the network using a standard web browser. Through this interface users can view data and make setup changes to the MS2540.

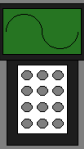


5.17
Model MS2540
Data Receiver / Repeater



Model MS2540 Technical Specifications	
MS2540 – Data Receiver / Repeater	
Receiver and Transmitter:	
Input:	4-20mA current loop from one ER or LPR corrosion transmitter
Current Loop Source Voltage:	24 VDC
Input Impedance:	250 Ohms
Maximum transmitter to receiver distance:	3048 metres (10,000 feet)
Output:	
Outputs:	RS-485 Modbus, Ethernet
Display:	
Type:	Color touch screen
Displayed Values	Metal Loss (mils or mm) or Corrosion Rate (mpy or mm/y)
Resolution	+/- 0.1 mpy or 0.01 mil
Power Supply:	
Supply Voltage:	100 to 240 VAC, 1 phase, 50/60 Hz
Current:	< 2 Amps
Physical Data:	
Operating Temperature:	0° to 50°C (32° to 122°F)
Weight:	1.9 Kg (4.0 lbs.)
Mounting Type:	Panel Mount
Included Accessory Items:	
Power cord, mounting tabs	





5.18 Probe Adaptors For The Two Inch Retrievable System

Retrievable Electrical Resistance Probes and Linear Polarisation Resistance Probes are held in place by the hollow plug assembly.

The probe's instrument connection point is situated within the hollow plug, as per the illustration. This is too low for standard cables to reach, therefore a probe adaptor is required for connection of an instrument.

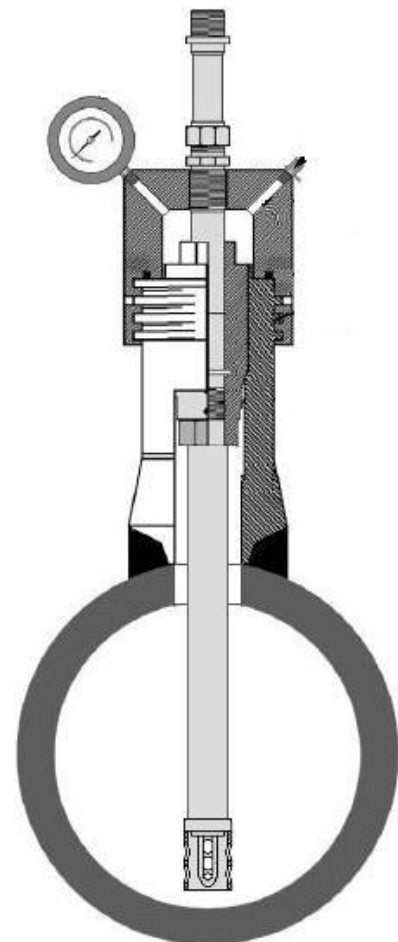
For permanently installed instruments and / or for use with pressure retaining covers a fixed probe adaptor should be used, this has an adjustable 1/2" NPT fitting for attachment to the plug / cover as applicable.

It is recommended that the fixed probe adaptor has the blow-out preventer, this is fitted as standard to the 700640 probe adaptor (please see illustrations below). This will prevent the probe adaptor rod from leaving the fitting in the event of it being exposed to pressure.

A portable probe adaptor is generally used with portable instruments, it has no fitting and is only used when taking measurements, it is not permanently installed.

The adaptor has a 316 S/S body. Exotic alloys are not required, the adaptor is isolated from the process.

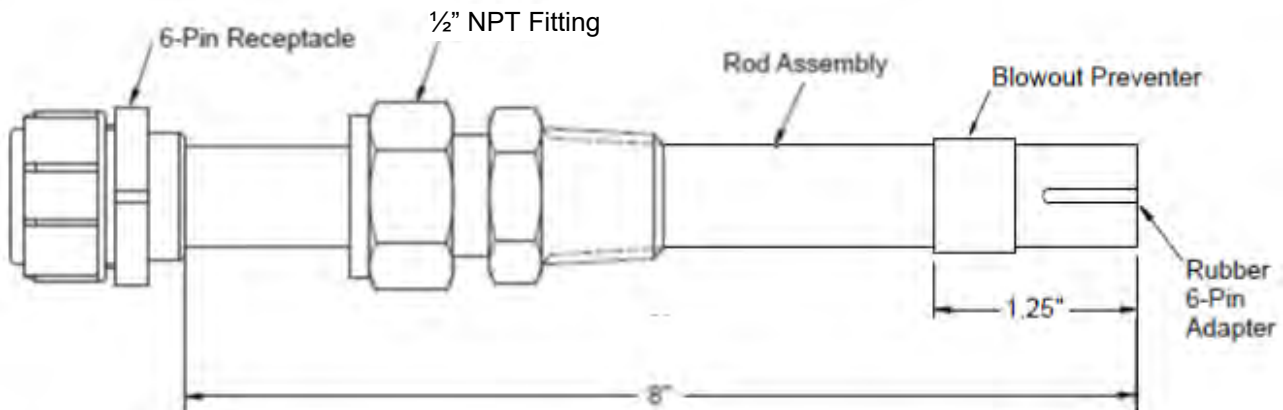
The receptacle is for the connection to instrument, it has male pins and has a dust shield secured by a ball chain. The rubber adaptor has female sockets for connection to the probe.

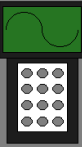


Product Code: 700640 Fixed Probe adaptor is shown, fitted through pressure retaining cover

Product Code: 700640 "6-Pin Fixed Probe Adaptor, Standard Connector"

6-Pin Male to 6-Pin Female Adaptor With Adjustable 1/2" NPT Fitting, Blow-Out Preventer and Standard Connector. For use with permanently installed instruments and / or with pressure retaining covers.

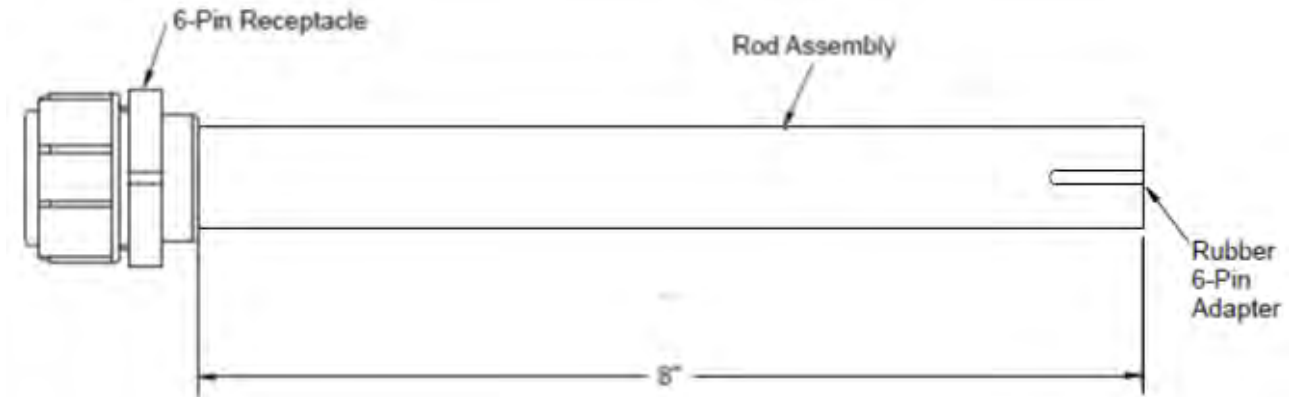




5.18 Probe Adaptors For The Two Inch Retrievable System

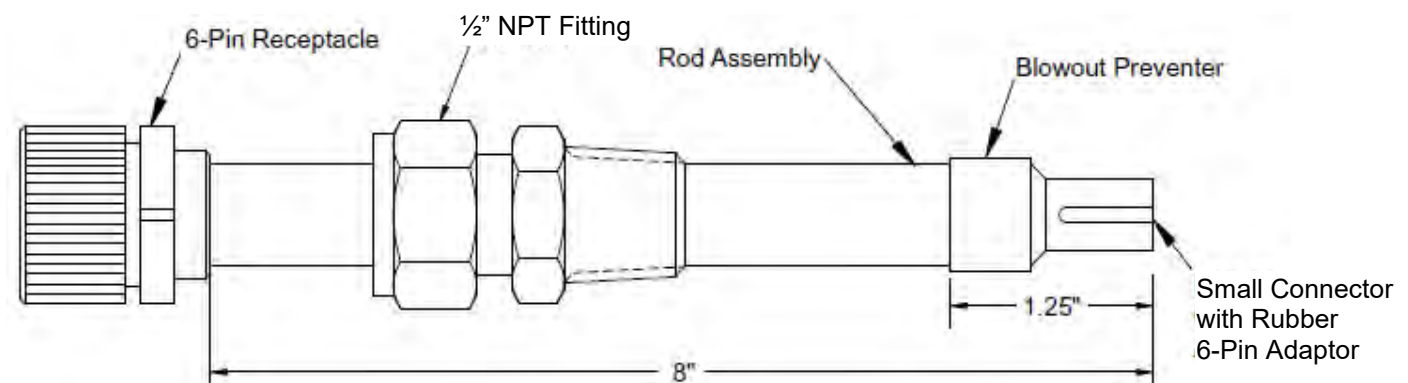
Product Code: 700319 “6-Pin Portable Probe Adaptor”

6-Pin Male to 6-Pin Female Adaptor with Standard Connector. For use with portable instruments.



Product Code: HA7001 01 158 “6-Pin Fixed Probe Adaptor, Small Connector”

6-Pin Male to 6-Pin Female Adaptor with Adjustable 1/2" NPT Fitting, Blow-Out Preventer and Small Connector. For use with permanently installed instruments and / or with pressure retaining covers.



Ordering Product Code Generation For Other Probe Adaptor Variations

Model	
HA7001	Probe Adaptor
	Type
00	6-Pin Male to 6-Pin Female with Fitting, without Blowout Preventer
03	5-Pin Male to 3-Pin Female (Small) with Blowout Preventer and Fitting
06	5-Pin Male to 6-Pin Female (Small) with Blowout Preventer and Fitting
	Body Material
158	316 S/S
HA7001	00 158 Example of Ordering Product Code

All pictures are for illustrative purposes only, supplied product may differ.

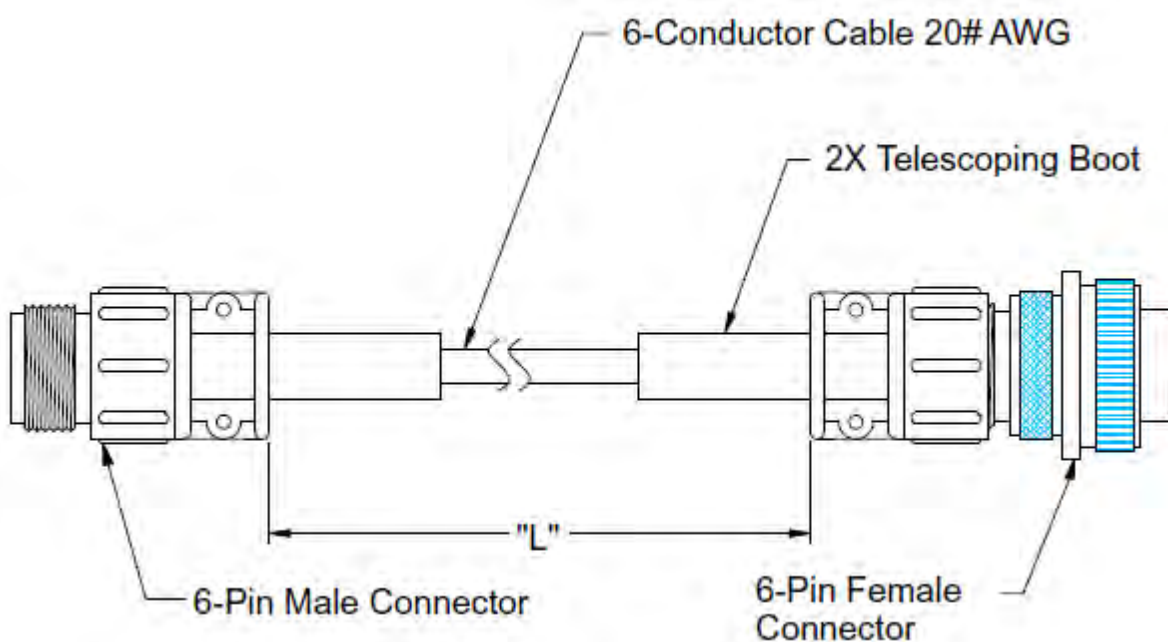
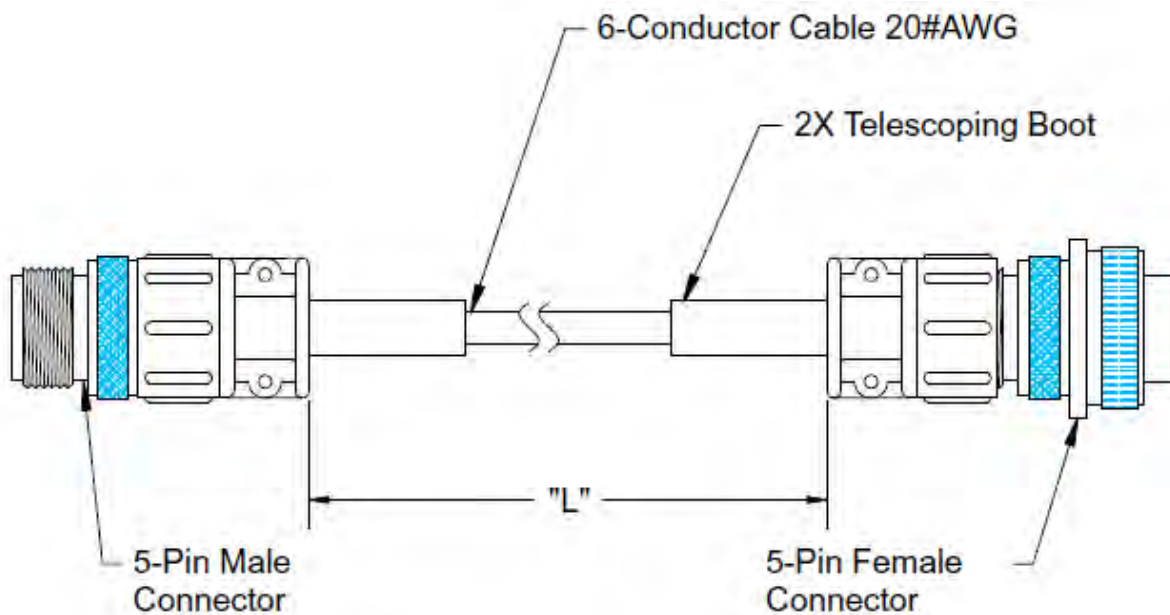


5.19 Instrument & Probe Extension Cables

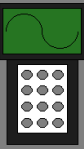
It is recommended that the instrument connection point is located as close as possible to the probe location, however there are many situations where that is not practical. Therefore extension cables are available.

The extension cables are manufactured from high quality cable, with Amphenol type military connectors to provide a weather tight seal.

Two types of cable are available, 5 pin or 6 pin connectors.



**5.19
Instrument & Probe Extension Cables**



Extension Cable Ordering Product Code Generation			
PS5	Probe Extension Cable		
	Number Of Pins		
	547	5 Pins	
	468	6 Pins	
		Cable Length In Feet (5 Feet Length Increments)	
		005	5 Feet
		010	10 Feet
		015	15 Feet
		020	20 Feet
		025	25 Feet
		030	30 Feet
		035	35 Feet
		040	40 Feet
		045	45 Feet
		050	50 Feet
PS5	468	020	Example Of Cable Ordering Product Code

6.0 Chemical Injection & Sampling



Sub-Section No.

- 6.1 Two Inch System Injection and Sampling System

- 6.2 Model IP4000 Retractable Injection System

- 6.3 Fixed Quills, Flanged or Threaded



6.1 Retrievable Injection & Sampling

For The High Pressure Two Inch Access Fitting System

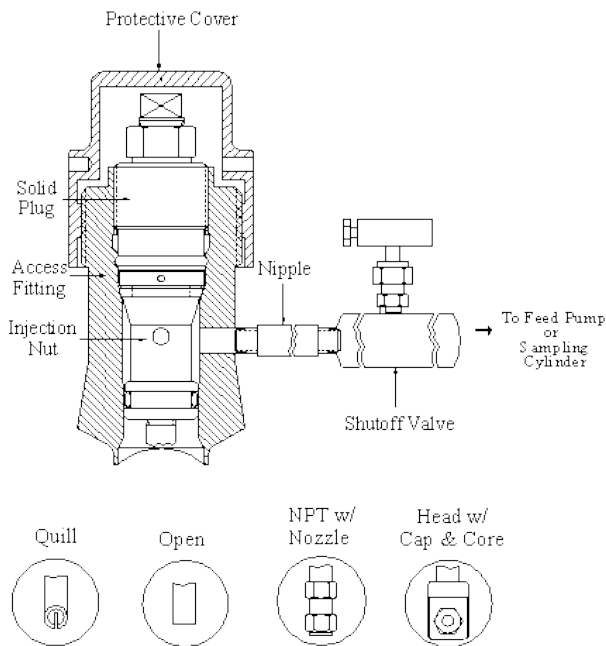


Figure 1

Picture is for illustrative purposes only, various options are available

INJECTION & SAMPLING

Injection and sampling systems are fundamental to corrosion control and process control programs. They are applicable to a large variety of processes in the petroleum, chemical and water treatment industries. Injection systems may be used for the injection into the system of a wide range of chemicals such as biocides, demulsifiers, corrosion inhibitors, oxygen scavenger, glycol and mono-ethylene glycol, dewaxers, methanol, odourisers and a wide range of product activities.

Injection systems may be as simple as using an open-ended tube that allows for even distribution of the injected chemical or as complex as using a head with a cap and core to obtain precise atomisation of the chemical.

Sampling systems, as the name implies are used to take samples of the process fluid medium. Such samples are analysed in the laboratory for inhibitor concentration levels, the presence of metal ions, oxygen levels, scale forming compounds and a wide range of process parameters.

The art of chemical injection is a complex technology. Irrespective of the type of injection or injected fluid, several factors relative to the process system and the injection system must be considered. Principle factors are:

PRESSURE DIFFERENTIAL

This is the difference between the injection pump pressure and the process line or vessel pressure. Ideally the pressure differential should be 8 bar (100psi.) However, varied injection rates can be achieved by changing the pressure differential.

TEMPERATURE

Temperature directly affects viscosity. Ideally the temperature of both the injected chemical and the line product should be about 21°C (70°F.)

VISCOSITY

This is the measure of fluid's resistance to flow. The more viscous the fluid the smaller the spray angle.

SPRAY ANGLE

Spray angle is affected by viscosity, spray distance and pressure differential.

SPRAY COVERAGE

This is calculated theoretical area coverage.

SPECIFIC GRAVITY

The specific gravity of a liquid is the density ratio of the liquid to water. The flow rate of a liquid is affected by its specific gravity.



6.1 Retrievable Injection & Sampling

For The High Pressure Two Inch Access Fitting System

INJECTION RATE

This is the amount of chemical to be injected within a specified period and is defined as litres per day (LPD) gallons per hour (GPH) etc. Injection systems are available for injection rates varying from 0.38 litres/hour (0.1 GPH) to 250 litres/hour (65.7GPH).

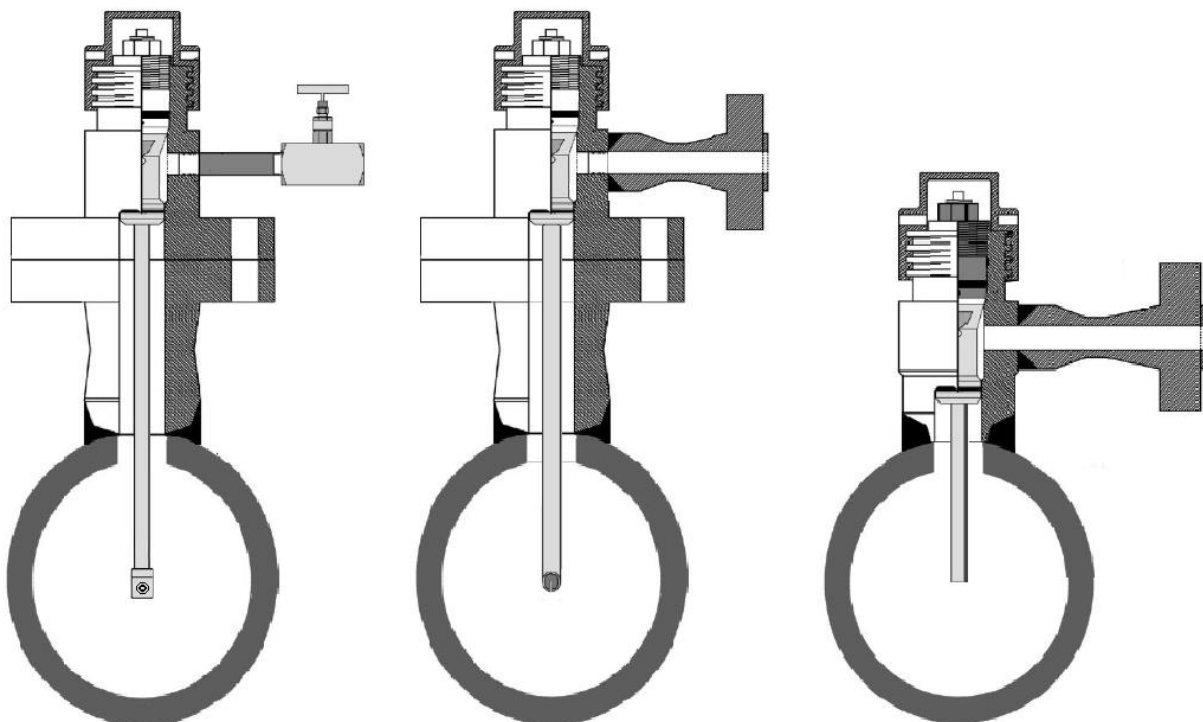
Injection may be via a simple open-ended tube or a quill that relies upon a natural turbulence within the pipeline to disperse the injected chemical and to accomplish even distribution. There is no restricting orifice and such systems tend to be clog proof even when using unscreened chemicals. A disadvantage of such systems is that at low flow rates there tends to be an accumulation of the injected chemical at the pipe wall surface below the injection point.

INJECTION POINT

The maximum fluid velocity is usually at the centre of the line hence the most effective position for injection is generally at the centre of the pipe in the direction of the product flow. If the line is to be pigged, the injection point may be flush with the pipe wall. This eliminates the need to remove the injection probe before pigging operations begin. On pipelines this means that injection is perpendicular to the product flow. Top of the line may be used if the injection is required to be oblique or horizontal to the product flow.

A more comprehensive discussion of the factors to be considered in the design of chemical injection systems is contained in the RCSL injection primer.

Examples of two inch access fitting system injection and sampling assemblies are shown below. A sampling system uses the same components as the injection system, but the tube is usually straight cut rather than scarf (angled) cut.



Flanged Access Fitting with NPT Tee, Nipple, Shut Off Valve & X Head Injection Tube.

Flanged Access Fitting With Welded Flanged Tee & X Quill Injection Tube

Flare-weld Access Fitting With Welded Flanged Tee & X Open Sampling Tube

6.1

Retrievable Injection & Sampling

For The High Pressure Two Inch Access Fitting System



The various components of the assembly are:

1. **AN ACCESS FITTING BODY** – with a side tee through which the fluid transfer takes place.
2. **Access FITTING TEE** – the tee may be threaded or welded. Welded tees are either flanged or butt-weld nipple. Threaded tees are based on an NPT tapped hole in the fitting body (please see 6 & 7). The tee size is rated according to the injection rate and injection and viscosity of the injection chemical.
3. **A SOLID PLUG ASSEMBLY** – this is inside the fitting body and is used to carry an injection nut which has the injection tube/nozzle assembly screwed to its base.
4. **AN INJECTION/SAMPLING NUT** – this is a multiple use nut that replaces the nut of the solid plug. It is used to direct the injected product to the injection tube or atomisation device. An injection nut sizing chart is shown in table 1.
5. **THE INJECTION OR SAMPLING TUBE OR NOZZLE** – The various forms offered are:
 - a. **X OPEN**. This is an open tube. The natural turbulence within the pipeline is used to ensure even distribution. The pressure differential is experienced at the orifices so it is necessary to control the injection rate at the injection pump or the shut off valve.
 - b. **X QUILL**. This has a scarf and quill inserted at the open end. It utilises the turbulence created by its unique design to achieve distribution of the injected chemical into the product flow. Injection tube x quill are clog proof and give extremely good dispersion of the inhibitor provided that the product flow is 4.6 metres per second or greater. As with the open tube, injection rate must be controlled at the injection pump or shut off valve.
 - c. **X NPT**. Again similar to the open tube but is threaded at the dispersion end, thus allowing attachment of female nozzle assemblies. Injection may be perpendicular with the use of a straight nozzle or parallel with a right angle nozzle.
 - d. **X HEAD**. This is the usual style used for parallel injection at the centre of the line. The head is integral with the injection tube and is designed to accept the cap and core from a standard nozzle assembly.
6. **NIPPLES**. Nipples are used with threaded tee access fitting bodies and are the means of connecting the shut off valve to the access fitting body.
7. **SHUT OFF VALVES**. These are required to cut-off the injection flow and maintain pressure integrity through the tee when the solid plug assembly is being removed or replaced. They are also used to control the injection flow rate. A nipple and shut off valve sizing chart is given in Table 3.
8. **CHECK VALVE**. This is an optional item, various designs are available for installation between the injection tube and the injection nut, or in the inlet line to the access fitting body tee.
9. **ATOMISATION NOZZLES AND CAP AND CORES**. These are the various devices which, attached to the dispersion end of the injection tube, permit atomisation of the fluid as it is injected into the product line or vessel.

Nozzle assemblies are complete units which contain caps, cores, and strainers. They are available with both female and male NPT threads to match the thread on the injection tube x NPT. Caps, cores and strainers are component parts of the nozzle assemblies. They have male UNF threads which engage with the UNF threads in the dispersion body of the injection tube x head. The correct nozzle size may be determined from Table 4.
10. **THE INJECTION OR FEED PUMP**. The injection pump must be capable of generating sufficient injection line pressure to overcome the line operating pressure and thus create the required pressure differential across the atomising nozzle or injection tube.

6.1

Retrievable Injection & Sampling

For The High Pressure Two Inch Access Fitting System



MATERIALS OF CONSTRUCTION

As standard the injection nut, quill, nipple and shut off valve are manufactured from 316 stainless steel.

As standard the injection nut seals are 1x Viton O-ring with 2x PTFE back up rings.

These materials comply with the requirements of NACE Standard MR 01-75. Recommended materials for sulphide stress cracking environments.

Other materials are available, please see the injection nut and quill product code generation charts in the how to order section.

HOW TO ORDER

- A) The access fitting body style and tee size may be determined from the access fitting product literature.
- B) The injection / sampling nut size and Product Code may be determined from Table 1.

Table 1 – Injection Nut Product Code 7002XX-0XX					
Nut thread Size	Nut Length				
	1.75"	3"	3.5"	3.75"	5.50"
	Product Code	Product Code	Product Code	Product Code	Product Code
1/8" (3.2mm)	700219-0XX	700220-0XX	700227-0XX	700231-0XX	700235-0XX
1/4" (6.4mm)	700221-0XX	700222-0XX	700228-0XX	700232-0XX	700236-0XX
1/2" (12.7mm)	700223-0XX	700224-0XX	700229-0XX	700233-0XX	700237-0XX
3/4" (19mm)	700225-0XX	700226-0XX	700230-0XX	700234-0XX	700238-0XX
Access Fitting Height	5.25"	6.25"	6.25"	7.25"	8.25"

Injection Nut Product Code: 7002XX-0XX

Nut Material	Injection / Sampling Nut Seals
<ol style="list-style-type: none"> 1. – 316 2. – 316L 3. – C276 4. – UNS S21800 5. – CS (Please Specify) 6. – UNS S31803 7. – UNS N06625 8. – UNS N08825 9. – Ti A. – F44 B. – UNS S32750 C. – UNS S32760 D. – A105 E. – A350LF2 F. – UNS S32205 Z. – Other (Please Specify) 	<ol style="list-style-type: none"> 0. – Not Required 1. – Viton O-Ring, PTFE Back Up Ring 2. – Ethylene Propylene O-Ring, VESPEL Back Up Ring 3. – KALREZ O-Ring, VESPEL Back Up Ring 4. – No O-Ring, UNS S21800 Back Up Ring 5. – HYDRIN O-Ring, PTFE Back Up Ring 6. – Other (Please Specify) 7. – NOT USED 8. – AED HNBR O-Ring, (Please Specify), PTFE Back Up Ring 9. – NOT USED A. – AF69/90 O- Ring, PTFE Back Up Ring B. – Nitrile O- Ring, PEEK Back Up Ring C. – FR 25/90 O- Ring, PTFE Back Up Ring D. – HNBR Elast-O-Lion 101 (RGD) O- Ring, PEEK Back Up Ring E. – KALREZ O- Ring, PTFE Back Up Ring F. – FR 58/90 (Viton B) AED O- Ring, PTFE Back Up Ring G. – Viton AED O- Ring, PEEK Back Up Ring H. – AFTLAS O- Ring, PEEK Back Up Ring I. – Viton AED O- Ring, PTFE Back Up Ring J. – Ethylene Propylene (EDPM) O- Ring, PTFE Back Up Ring K. – Nitrile O- Ring, PTFE Back Up Ring L. – HNBR Elast-O-Lion 985 O- Ring, PEEK Back Up Ring M. – VERMILION® FOUR O- Ring, PTFE Back Up Ring N. – Nitrile O-ring, Nylon Back Up Ring O. – HNBR Elast-O-Lion 101 (RGD) O- Ring, Nylon Back Up Ring P. – HNBR Elast-O-Lion 985 O- Ring, Nylon Back Up Ring Q. – HNBR Elast-O-Lion 101 (RGD) O- Ring, PTFE Back Up Ring

6.1

Retrievable Injection & Sampling

For The High Pressure Two Inch Access Fitting System



- C) Determine the injection tube type required. Determine the injection point. Calculate the injection tube length using the sizing formulas. Use this information to determine the injection tube product code from Table 2.

Table 2 – Injection Tube Product Code: IQ-XX-XX-XX-XXXX-X					
IQ	Type -XX	Material -XX	Tube & NPT Size -XX	Length (inches) -XXXX	Tube Schedule -X
	01 – X Open	01 – 316 S/S	01 – 1/8"	Open/ Quill/ NPT Available from 1.25" to 30" X Head Available from 2.25" to 30" Example 2.25" = 0225 Example 26.625" = 2662	1 – Sch.80
	02 – X Quill 45°	02 – (Other)	02 – 1/4"		2 – Sch.160
	03 – X NPT	03 – UNS S31803	03 – 1/2"		3 – Sch.XXS
	04 – X Head (9/16")	04 – UNS S32750	04 – 3/4"		Z – Other (Please Specify)
	05 – X Quill 60°	05 – UNS S32760			
	06 – X Head (1/4" NPT)	06 – UNS N06625			
	0Z – Other (Please Specify)	07 – UNS N08825 08 – Carbon Steel (Please specify)	Note: Not all material, size and schedule combinations are available. Please specify the length using 0.125" increments.		

- D) A shut off valve and nipple to match the NPT tee of the access fitting body may be selected from Table 3 and Table 4 respectively.

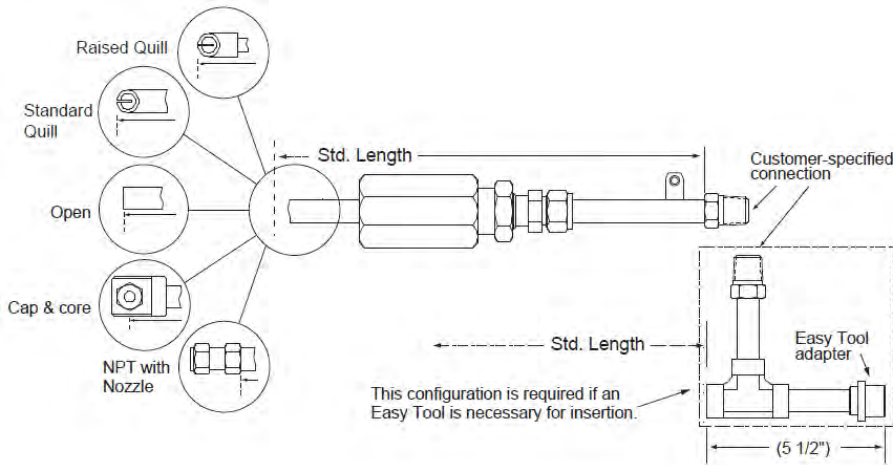
Table 3 - Valve Product Code: 70032X-X-X			
70032	X	-X	-X
	Access Fitting NPT Tee Size	Valve Pressure Rating	Material Code
	2 = 1/4"	1 = 6,000psi	1 = 316 S/S
	3 = 1/2"	2 = 10,000psi	2 = 230M07 Carbon Steel
	4 = 3/4"		3 = Monel 400
	5 = 1"		4 = C276
			5 = UNS S31803
			6 = UNS S32750
			7 = UNS S32760
			8 = UNS N06625
			9 = UNS N08825
			Z = Other (Please Specify)

Table 4 - NPT Nipple 100mm Product Code: 7000XX-X-X		
7000XX	-X	-X
Nipple Tube & NPT Size	Wall Schedule	Material Code
1/4" 700018	1 = 80	1 = 316 S/S
1/2" 700019	2 = 160	2 = Carbon Steel (Please Specify)
3/4" 700020	Z = Other (Please specify)	3 = UNS S31803 / UNS S32205
1" 700021		4 = UNS S32750
		5 = UNS S32760
		6 = UNS N06625
Note: Not all material, size and schedule combinations are available.		7 = UNS N08825
		Z = Other (Please Specify)

- E) If applicable, a suitable nozzle assembly / cap and core can be selected from Table 5. The stated product codes are for 316 S/S material. Other flow rates and materials are available to special order.

Table 5 – Nozzle Assembly / Cap and Core Product Code: 7000XX					
Product Code	Orifice Diameter/ Nozzle Type	GPH Capacity & Pressure Differential			
		40 PSI	60 PSI	80 PSI	100 PSI
700030	0.30 – 1/4" NPT Fem.N	0.3	0.36	0.42	0.48
700031	0.40 – 1/4" NPT Fem.N	0.4	0.48	0.56	0.64
700032	0.60 – 1/4" NPT Fem.N	0.6	0.72	0.84	0.96
700034	0.30 – 1/4" NPT Flush	0.3	0.36	0.42	0.48
700035	0.40 – 1/4" NPT Flush	0.4	0.48	0.56	0.64
700036	0.60 – 1/4" NPT Flush	0.6	0.72	0.84	0.96
700038	0.30 – Cap/core 9/16"	0.3	0.36	0.42	0.48
700039	0.40 – Cap/ Core 9/16"	0.4	0.48	0.56	0.64
700040	0.60 – Cap/Core 9/16"	0.6	0.72	0.84	0.96

6.2
Model IP4000
Retractable Injection & Sampling
 For The Low Pressure Retractable System

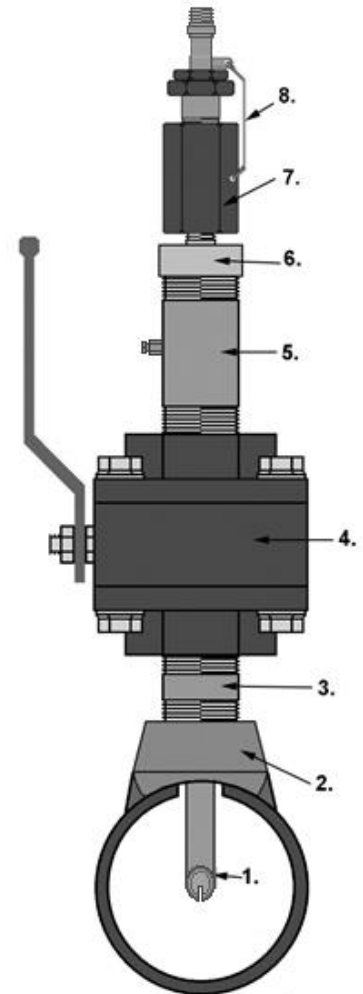


All dimensions are in inches

The Model IP4000 Injection and Sampling System is a retractable unit commonly used in field and plant applications. A specially designed packing gland is used with the unit for insertion into or retraction from a pressurised system without a process shutdown. The unit is designed to mount onto a 1 inch piping system, but can easily be adapted to fit your specific requirements.

The unit assembly consists of a packing gland and an insertion rod with an injection/ sampling fitting. The fitting, which is threaded or welded to the end of the rod, can be either a quill, open, cap and core or nozzle assembly type. A safety cable is also provided to prevent blowout.

In systems with pressure over 150psi, an adaptor for the Easy Tool may be added to the unit.



Picture is for illustrative purposes only, flanged connection is also available

Key	
1 – Injection Quill	5 – TBE Pipe Nipple (usually fitted with bleed valve)
2 – Thredo-let (flanged connection is available)	6 – Thread adaptor (if required)
3 – TBE Pipe Nipple	7 – Packing gland
4 – Full Bore Ball Valve (flanged connection is available)	8 – Safety chain
	Items 1-6 are supplied separately from the IP4000

Standard packing material in the packing gland is Teflon® however, Grafoil® packing can be provided for high temperature applications. Model IP4000 units are available in different lengths and materials.

Specifications			
Body Material	316 Stainless Steel*	Order Length	I.L. (max)
Packing Material	Teflon® (standard) or Grafoil	24"	16"
Temperature Rating	260°C / 500°F Teflon®	30"	22"
Temperature Rating	454°C / 850°F Teflon®	36"	28"
Pressure Rating	2000 PSI / 138 Barg**	42"	34"
Mounting	Minimum 1" Full Bore Valve		

* Other material options are available

** Easy Tool (Product Code: SR2159-ERXX) is recommended for insertion or retraction in systems with pressure over 150 psi

6.2

Model IP4000

Retractable Injection & Sampling

For The Low Pressure Retractable System



Model IP4000 Ordering Product Code Generation						
IP45	Injection and Sampling System 1" NPT Female Thread, Packing Gland with Teflon®					
IP75	Injection and Sampling System 1" NPT Female Thread, Packing Gland with Grafoil®					
IPB7	Injection and Sampling System 1½" NPT Male Swage Nipple (used with head, cap, core)					
IP00	Injection & Sampling System Replacement Insertion Rod					
Mounting Material (Packing Gland and Rod)						
	22	316				
	44	C276				
Injection Tip Option						
	000	N/A				
	010	Quill (straight)				
	020	Quill (raised)				
	030	Open				
	040	¼" NPT (female) with nozzle*				
	050	Head with cap and core (9/16") – Must use Swage Nipple				
	060	¼" NPT (male) with nozzle*				
	070	3/8" NPT (male) with nozzle*				
	090	½" NPT (female) with nozzle*				
Tube Size						
		1	3/8"			
		2	½"			
		3	5/8"			
Length						
		24	16 inches max. insertion length			
		30	22 inches max. insertion length			
		36	28 inches max. insertion length			
		42	34 inches max. insertion length			
Dry End Mount Options						
		01	Blanked off			
		02	½" NPT			
		03	¾" NPT			
IP45	22	010	2	24	02	Example of IP4000 Ordering Product Code

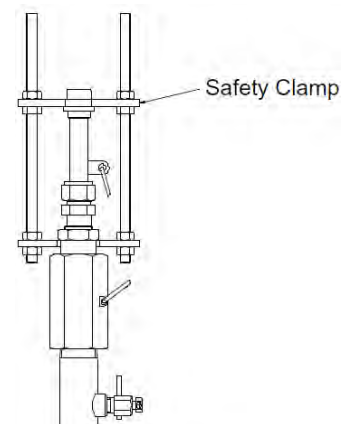
Note: For alloys, sizes, or other special requirements not listed, please contact our sales department.

Safety Clamp

Safety clamps are available separately, these provide additional support to the packing gland and safety chain to control the positioning of the coupons within the pipe.

Safety Clamp Assembly Product Codes:	
PS5463141XX	Replace XX with Length, e.g. PS546314124
PR5637158	Easy Tool / Safety Clamp Adaptor

The safety clamp length must be increased if the IP4000 is configured with the 90° connection for use with the easy tool (please see the drawing on page 1). Please contact RCSL for further information.





6.3

Fixed Quills For Chemical Injection & Sampling

For Direct Mounting Via Flanged Branch or Pipe Plug

Fixed quills are heavy duty products, suitable for chemical injection and sampling applications where regular removal is not required.

Various designs and materials of construction are available to suit customer's requirement, examples of which are shown in this data sheet. Please contact RCSL's Sales Department to discuss your specific requirement.

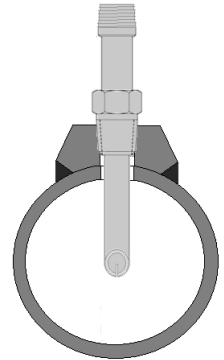
Fixed Threaded Quill

This design is for connection via a threaded pipe plug welded to the quill.

Example shown also has NPT threaded connection for injection / sampling and a slotted scarf cut injection quill.

Other quill options include 90° injection head with atomising / fogging nozzle, plain cut and threaded.

Various designs, sizes and materials are available to meet your requirement.



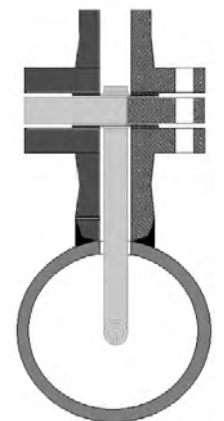
Fixed Flange Quill, Single Flange

This design is for connection between flanged branch and injection connection flange of the same size.

Example shown also has a slotted scarf cut injection quill.

Other quill options include 90° injection head with atomising / fogging nozzle, plain cut and threaded.

Various designs, sizes and materials are available to meet your requirement.



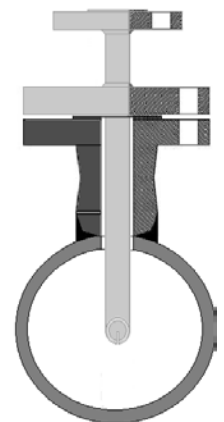
Fixed Reducing Flange Quill

This design is for connection between flanged branch and a smaller injection connection flange, or alternatively the injection connection can be supplied threaded.

Example shown also has a slotted scarf cut injection quill.

Other quill options include 90° injection head with atomising / fogging nozzle, plain cut and threaded.

Various designs, sizes and materials are available to meet your requirement.



7.0 Specialist Probes



Sub-Section No.

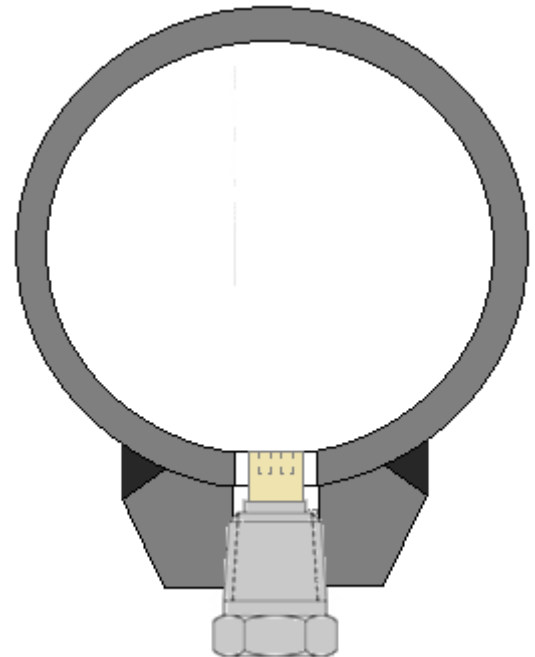
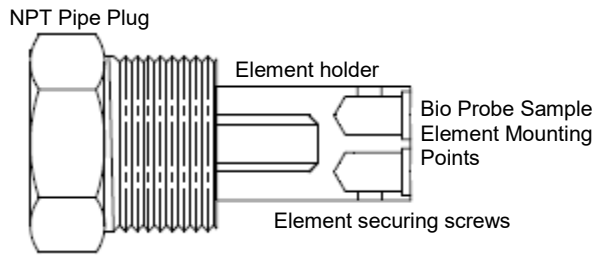
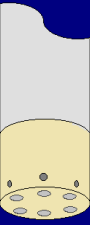
- 7.1 Model FC6100 Direct Mounted Bio Probe

- 7.2 Model HC6200 Retrievable Bio Probe

- 7.3 Model HY7000-7001 Hydrogen Probe Systems (Retrievable / Fixed)

- 7.4 Model SP7000 Retrievable Sand Probe

7.1
Model FC6100
Bio Probe Sample Element Holder
 For Direct Mounting Via Pipe Plug



The Model FC6100 is a fixed-length, thredolet-mounted, Bio Probe Element insertion system, to hold 2 Bio Probe Elements.

Process shutdown or process isolation is required for installation and inspection. The probe assembly consists of an insertion rod with male NPT pipe plug (the body), with a non-metallic holder for the elements.

Insertion length (I.L.) is calculated to the end of the element holder in this case. Customers can specify any length required.

Rose Corrosion will need to know the required length from the base of the pipe plug to the end of the element holder.

Materials of construction can be specified by customer. Standard body material is 316/316L S/S, the element holder is available in Nylon or Delrin as standard.

The Bio Probe Elements are supplied separately, material can be specified by client.

Model FC6100 Ordering Product Code Generation				
Product Code: FC6100-X-X-XXXX				
FC6100	X	X	X	XXXX
	Pipe Plug Size 1 – ¾" NPT 2 – 1" NPT 3 – 1½" NPT 4 – 2" NPT Z – Other	Body Material 1 – 316 SS 2 – Hastelloy C276 3 – UNS S31803 DSS 4 – UNS S32750 SDSS 5 – UNS S32760 SDSS 6 – UNS N06625 7 – UNS N08825 8 – 321 SS 9 – 410 SS A – UNS S32205 DSS Z – Other (Please Specify)	Sample Element Holder Material 1 – Nylon 2 – Delrin 3 – PTFE Z – Other (Please Specify)	Order Length 2" to 40" in ½" increments. Examples below: 2" = 0200 40" = 4000 2.625" = 0262

7.2

Model HC6200

Retrieval Bio Probe Sample Element Holder

For The High Pressure Two Inch Access Fitting System



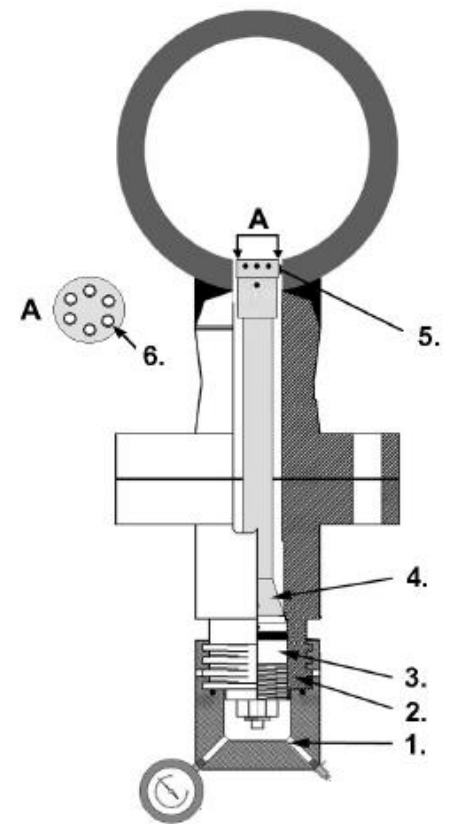
Model HC6200 bio probe is used in the Triseal 2inch Mechanical Access Fitting System to collect samples of bacteria in gas and oil systems.

The bacterial population on a systems metal surfaces more relevant to corrosion than the bacteria population in the system's fluids. This is because only surface or sessile bacteria cause corrosion. Thus a corrosion control program is ineffective unless it kills those bacteria which have formed attached biomasses.

The same bacteria which cause problems in gas pipelines, tanks, vessels, oil wells and water handling systems attach to the bio probe's sample element.

Since the bio probe is designed for high pressure access systems, common throughout the oil field, it becomes a convenient and economical way for sampling corrosion-causing biological activity.

#	Description
1.	Access Fitting Cover
2.	Access Fitting
3.	Solid Plug
4.	Bio Probe Body
5.	Sample Element Holder (non-metallic)
6.	Biological Sample Elements



Drawing is for illustrative purposes only, various access fitting options are available.

The standard material for the biological sample elements is 1018 CS. The purpose of the sample element is only to provide an area for the bacteria to settle and colonise. The sample element is single use, therefore the use of alternative materials such as pipe grade or corrosion resistant alloy is not necessary.

The ideal installation position is bottom of the line entry (per the drawing above), with the sample studs flush to the line or slightly recessed. This will allow the bacteria to settle on the sample elements.

Model HC6200 Ordering Product Code Generation

Product Code: HCXXX-XXXX

HC6	X	X	X	XXXX
	Construction 1 – Welded 2 – Non welded	Body Material 1 – 316 SS 2 – Hastelloy C276 3 – UNS S31803 4 – UNS S32750 5 – UNS S32760 6 – UNS N06625 7 – UNS N08825 8 – 321 SS 9 – 410 SS A – UNS S32205 Z – Other (Please Specify)	Sample Element Holder Material 1 – Delrin 2 – Nylon 3 – PTFE Z – Other (Please Specify)	Probe Length 2" to 40" in 1/8" increments. Examples below: 2" = 0200 40" = 4000 2.625" = 0262

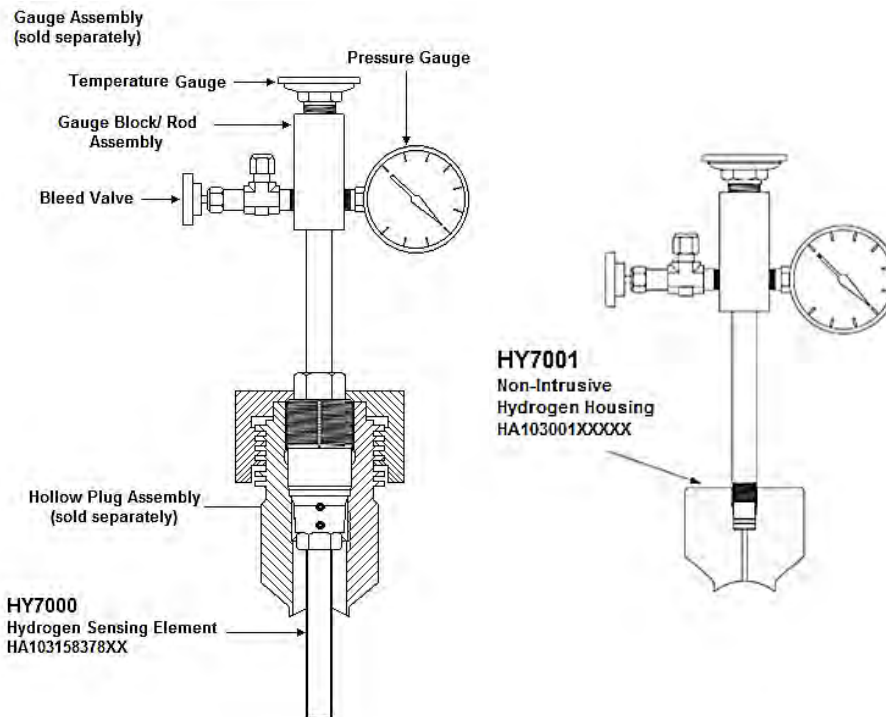
Bio Probe Spare Parts

Description	Product Code
Biological Sample Elements (6 per bio probe)	EL438-1018
Set Screw, 18-8 SS (2 per bio probe)	700900
Sample Element Retaining Set Screw, 316 SS (6 per bio probe)	700938
Replacement Sample Element Holder, Delrin material (1 per bio probe)	3010040014

7.3

Model HY7000 / HY7001 Hydrogen Probes

For Direct Mounting or For Use With The Two Inch Access Fitting System



The Model HY7000 and HY7001 are high pressure hydrogen probe configurations which can be used for pressures up to 3600 psi.

Hydrogen probes are commonly used for monitoring hydrogen permeation in steels, which could lead to embrittlement, blistering, and decarburisation resulting in the failure of the material.

The intrusive hydrogen probe assembly consists of three subassemblies, which are sold separately:

- The gauge assembly,
- The hollow plug assembly,
- The HY7000 sensing element assembly.

The gauge assembly consists of a gauge body, a pressure gauge (0-40 psi), a temperature gauge, and a bleed valve.

The sensing element on the HY7000 probe is about 3 inches long and consists of a thin-walled tube which is sealed from the process and allows nascent hydrogen to permeate.

The minimum insertion length (I.L.) of the probe is 6 inches and can be ordered in 1 inch increments.

The HY7001 housing can be machined to fit the flat surfaces of tanks or radiused to fit pipe diameters. The HY7001 consists of two subassemblies, which are sold separately:

- The gauge assembly
- The non-intrusive housing (that can be welded directly to the exterior of the pipe wall or vessel)

Specifications	
Probe Body	316 Stainless Steel
Temperature Rating	260°C / 500°F
Pressure Rating	3600psi / 245 Bar
Mounting	- High Pressure Access system with Hollow Plug (HY7000) - Direct Mount (HY7001)

7.3

Model HY7000 / HY7001

Hydrogen Probes

For Direct Mounting or For Use With The Two Inch Access Fitting System



Model HY7000/ HY7001 Ordering Information

Gauge Assembly Parts*	
Product Code	Description
PS5509	Gauge Assembly (complete) Contains all parts listed below
PR6441158	Pressure Gauge
PR6032	Temperature Gauge
PR6034	Bleed Valve
PS5603158	Gauge Block/ Rod Assembly
PR6158158	Gauge Body

*Gauge assembly is sold separately, not included with probe

Model HY7000 Ordering Product Code Generation		
HA103158378	High Pressure Hydrogen Probe Sensing Element	
	Length	
	XX	Length in inches (Ex: 6" = 06). Available in 1" increments starting at 6"
HA103158378	XX	Example of Probe Ordering Product Code

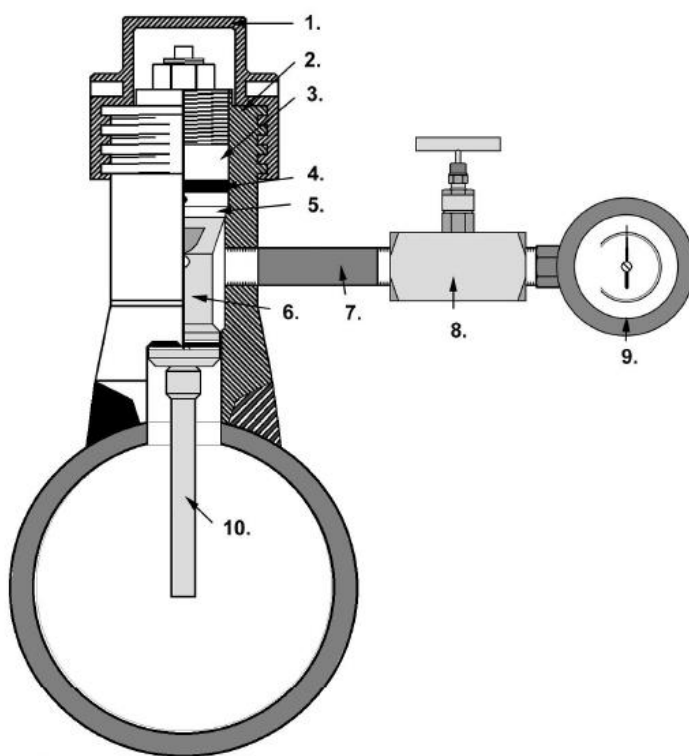
Model HY7001 Ordering Product Code Generation			
HA103001	Non-Intrusive Hydrogen Housing		
	Alloy		
	158	316	
		Pipeline Size	
		1	2"
		2	3"
		3	4"
		4	6"
		5	8"-10"
		6	12"-18"
		7	20"-26"
		8	Flat
		Gauge Block/ Rod Assembly	
		0	Not included
		1	Included
HA103001	158	1	0 Example of Probe Ordering Product Code



7.4
Model SP7000
Retrieval Sand Probe
 For The High Pressure Two Inch Access Fitting System

The Model SP7000 sand probes are used to detect erosion in flow lines caused by abrasive particles such as sand. One end of the probe is attached to a tee-type, high pressure access fitting with a solid plug by means of a sand probe nut. The other end is sealed, thin walled tube placed within the process stream to be exposed to particulate flowing through the system. (To minimise the effects of corrosion and thus more accurately detect erosion with the stream, the exposed element is made of stainless steel).

As particulates suspended in the process flow impact the surface of the sensing element, a hole is eventually eroded through the element. Once penetration has occurred, the system pressure then travels up the tube, into the access fitting body, and through a nipple and valve to a pressure gauge assembly. The pressure gauge shows that the element has been breached.



The components of the retrievable mechanical sand probe system are as follows:

- 1) Access fitting cover
- 2) Access fitting body
- 3) Solid plug assembly
- 4) Solid Plug O-ring
- 5) Solid Plug Primary Packing
- 6) Sand Probe Nut
- 7) 100mm TBE NPT Pipe Nipple
- 8) Shut Off Valve
- 9) Pressure Gauge
- 10) Sand Probe

Other designs are available, access fitting may be flanged type, threaded tee or flanged tee, with valve to suit.

The minimum order length for the sand probe is 3.75inch, up to any length in quarter inch increments.

If required, electronic pressure sensors (supplied by others) can be connected in place of the pressure gauge. These would enable alarm systems to signal the exact moment when failure occurs, to ensure early detection.

Picture is for illustrative purposes only, supplied product may differ

Specifications:	
Probe Body	Stainless Steel
Temperature Rating	260°C / 500°F
Pressure Rating	3600psi / 245 Bar
Mounting	2 inch Access System with Solid Plug
¼ inch NPT Pressure Gauge Product Code:	700743

7.4

Model SP7000

Retrieval Sand Probe

For The High Pressure Two Inch Access Fitting System



Model SP7000 Ordering Product Code Generation				
SP	Sand Probe for 2 inch Access Systems			
	Mounting Material			
	2	316		
	4	C276		
	U	Duplex 2205		
		Tube Material		
	2	316		
	4	C276		
	U	Duplex 2205		
		Tube Wall Thickness		
		1	0.016 inch	
		2	0.028 inch	
		3	0.035 inch	
			Order Length (rounded down to previous ¼ inch increment)	
		XXXX	Order length to 2 decimal points. Example shown is 6.25 inch	
SP	2	2	1	0625 Example of Probe Ordering Product Code

Shut Off Valve Product Code: 70032X-X-X			
70032	X	X	X
	Access Fitting NPT Tee Size	Valve Pressure Rating	Material Code
	2 = ¼"	1 = 6,000psi	1 = 316 S/S
	3 = ½"	2 = 10,000psi	2 = 230M07 Carbon Steel
	4 = ¾"		3 = Monel 400
	5 = 1"		4 = C276
			5 = UNS S31803
			6 = UNS S32750
			7 = UNS S32760
			8 = UNS N06625
			9 = UNS N08825
			Z = Other (Please Specify)

100mm NPT TBE Pipe Nipple Product Code: 7000XX-X-X		
7000XX	X	X
NPT Nipple Size	Wall Schedule	Material Code
¼" 700018	1 = 80	1 = 316 S/S
½" 700019	2 = 160	2 = Carbon Steel (Please Specify)
¾" 700020	Z = Other	3 = UNS S31803 / UNS S32205
1" 700021	(Please specify)	4 = UNS S32750
Note: Not all material, size and schedule combinations are available.		5 = UNS S32760
		6 = UNS N06625
		7 = UNS N08825
		Z = Other (Please Specify)

Notes:

Standard nipple and valve product codes are shown in **bold**.

Different pressure gauge or thread adaptor is required for nipple and valve sizes other than ¼"

For alloys, sizes, or other special requirements not listed, please contact our sales department.



8.0 Catch Pot Corrosion & Sampling Trap

Sub-Section No.

8.1 Catch Pot Corrosion & Sampling Trap



8.1 Catch Pot Corrosion Monitoring & Sampling Trap

Catch Pots provide a removable corrosion monitoring station, mounted to the pipe via a suitable valve, with multiple mounting points for direct mount corrosion monitoring products to give a Corrosion Monitoring Trap.

Corrosion Monitoring Traps are important in multi-phase systems where corrosion does not occur uniformly through the pipe.

Corrosion Monitoring Traps allow simulation of areas where water may condense from the process gas, where water may gather at low points in the line and where water may form a trapped wet sludge.

To monitor such situations using conventional corrosion monitoring systems is difficult if not impossible. The Corrosion monitoring trap allows this, thus providing a “worst case” corrosion monitoring scenario.

Catch Pots are be manufactured in customer’s requested materials of construction, dimensions, quantity of mounting thredolets and flange rating.

The example shown has multiple FNPT thredolets for corrosion monitoring products, typically there would be 3 thredolets plus an additional thredolet at the base for a suitable shut off valve for draining

Typical Accessories:

Isolation Valve*

Model 2277 Disc Coupon Holder

Model FC6100 Bio Probe Holder

Model ER3000 Electrical Resistance Probe

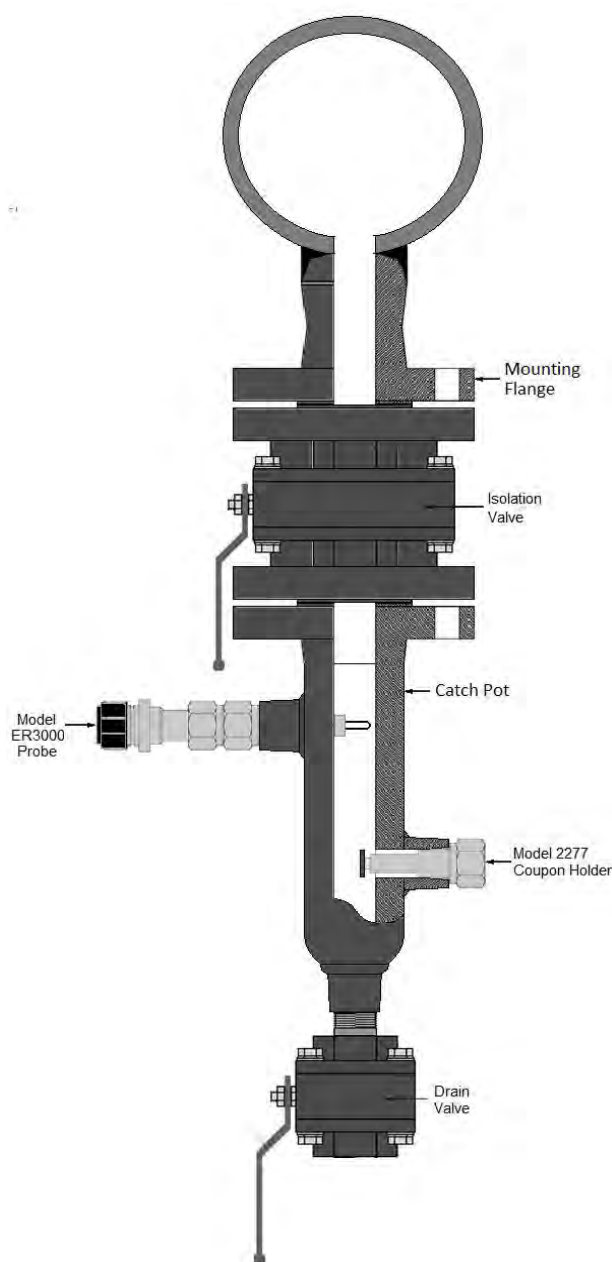
Model LP3000 LPR Probe

Drain / Sampling Valve*

*Single Isolation Or Double Block and Bleed Valves are available

The ER and LPR probes can be connected to permanently installed Data Transmitters or Data-Loggers, or readings can be taken periodically using hand held portable instruments.

The Catch Pot is custom designed for each application, with flange rating, materials of construction, number and size of thredolets and valve design to suit the specific application. Please contact our sales department for further information.



9.0 Information & Calculation Sheets

Sub-Section No.

- 9.1 DNV Design Verification Certificate

- 9.2 Length Calculation Sheets

- 9.3 Seal and O-Ring Information Sheet



9.1 DNV Design Verification Report

RC SL's Triseal Two Inch Access Fitting System Design was reviewed by DET Norske Veritas' London project Approval Centre.

The Design Verification Report of their independent review is attached.



DET NORSKE VERITAS

DESIGN VERIFICATION REPORT

(Independent Review Certificate)

Manufacturer : Rose Corrosion Services Ltd
Equipment : Assorted 2" pipe access fitting system components as noted below.

Body, A/F – Flarweld, C/W ½" Sch 160 Flg. Tee
Body, A/F – 2" ANSI RF C/W ½" Sch 160 Flg. Tee
Body, A/F – Flarweld
Body, A/F – Butt weld
Body, A/F – Butt weld, C/W ½" Sch Flg. Tee
Body, A/F – 2" ANSI RJ
Body, A/F – 2" ANSI RJ, C/W ½" Sch 160 Flg. Tee
Body, A/F – 2" ANSI RF

This is to certify that the design of the above noted equipment has been reviewed and found to comply with:

- ASME B31.3 2006 Chemical Plant and Petroleum Refinery Piping
- Essential Safety Requirements of the Pressure Equipment Directive 97/23/EC, as defined in Appendix A attached.

The following design codes/standards were used as reference:

- API RP 14E Recommended Practice for Design and Installation of Offshore Production Platform Piping System
- ASME / ANSI B16.5 Pipe Flanges and Flanged Fittings
- NACE MR-01-75 Sulfide Stress Cracking Resistant – Metallic Materials for Oilfield Equipment

The design verification is given subject to the following limitations:

- Maximum working pressure of 6,000 psig
- Design temperature range for ASTM A350 LF2 material is -50°F to +500°F *
- Design temperature range for all other listed materials is -20°F to +500°F *
- Sour service (H₂S), except where noted
- No permanent jointing

* Note: the minimum temperature may be limited by the Particular Material Appraisals (refer to 7.5 of appendix).

If any person suffers loss or damage which is proved to have been caused by any negligent act or omission of Det Norske Veritas, then Det Norske Veritas shall pay compensation to such person for his proved direct loss or damage. However, the compensation shall not exceed an amount equal to ten times the fee charged for the service in question, provided that the maximum compensation shall never exceed USD 2 million. In this provision "Det Norske Veritas" shall mean the Foundation Det Norske Veritas as well as all its subsidiaries, directors, officers, employees, agents and any other acting on behalf of Det Norske Veritas.

The design verification is given for manufacture of the components from any of the following materials:

- AISI 1022
- ASTM A105
- ASTM A350 LF2
- ASTM A182 Grades 304, 316 and 316L
- ASTM A790 Duplex (UNS S31803 and S32304)
- ASTM B381 Grade F2 (not sour service)
- ASTM B348 Grade F2 (not sour service)
- UNS 32750
- UNS 32760
- ASTM A694

The following Rose Corrosion Services drawings formed the basis of review (all initial issues, no revision number):

Number	Document Title	Dated
SK5002	Body, A/F – Flarweld, C/W ½” Sch 160 Flg. Tee	5/2/93
SK5701	Body, A/F – 2” ANSI RF C/W ½” Sch 160 Flg. Tee	5/2/93
SK5001	Body, A/F – Flarweld	5/2/93
SK5100	Body, A/F – Butt weld	5/2/93
SK5101	Body, A/F – Butt weld, C/W ½” Sch Flg. Tee	5/2/93
SK5600	Body, A/F – 2” ANSI RJ	5/2/93
SK5601	Body, A/F – 2” ANSI RJ, C/W ½” Sch 160 Flg. Tee	5/2/93
SK5700	Body, A/F – 2” ANSI RF	5/2/93

Comments:

Compliance with the conformity assessment process required under PED for equipment of which these fittings form a part should not be inferred from this certificate alone.

DET NORSKE VERITAS
LONDON PROJECT APPROVAL CENTRE
LONDON – 01/04/10



JOHN YATES
Senior Principal Engineer




DAVID SHAW
Review Engineer

9.2 Order Length Calculations For Retrievable Products

Please use the listed calculations to obtain the order lengths for our products.

Should any assistance be required please contact our Sales Department.

Length Calculations For Retrievable Strip Coupon Holders (HC1** -****)

The calculated length should be rounded to the previous 0.125inch manufacturing length increment.

Flare-weld fittings

Intrusive at Entry Point

$$FH + WG + WT - (2.5 + \frac{1}{2}EL)$$

Centre of Line

$$FH + WG + (PD/2) - (2.5 + \frac{1}{2}EL)$$

Bottom of line (1/4" gap)

$$FH + WG + PD - (0.25 + 2.5 + WT + EL)$$

Customer specified intrusion length

$$FH + WG + WT + IL - (2.5 + EL)$$

Flanged fittings

Intrusive at Entry Point

$$FH + FG + MF + WG + WT - (2.5 + \frac{1}{2}EL)$$

Centre of Line

$$FH + FG + MF + WG + (PD/2) - (2.5 + \frac{1}{2}EL)$$

Bottom of line (1/4" gap)

$$FH + FG + MF + WG + PD - (0.25 + 2.5 + WT + EL)$$

Customer specified intrusion length

$$FH + FG + MF + WG + WT + IL - (2.5 + EL)$$

FH = Fitting Height

WG = Weld Gap (if not included in mating flange height). Usually estimated at 0.0625inch.

FG = Flange Gap. Usually estimated at 0.0625inch.

MF = Mating Flange Height From Pipe Outside Diameter (may be referred to as "nozzle stand-off").

WT = Wall Thickness

PD = Pipe Outside Diameter

0.25 = Gap from tip of coupon to opposite pipe wall

2.5 = Calculation constant

EL = Coupon Effective Length

"3inch" Strip Coupon = 1.625inch

"6inch" Strip Coupon = 4.75inch

IL = Intrusion Length

9.2 Order Length Calculations For Retrievable Products

Length Calculations For Retrievable Ladder (2inch Strip) Coupon Holders (HC2**-****)

The calculated length should be rounded to the previous 0.125inch manufacturing length increment.

Flare-weld fittings

Flush to the line
Not available

Centre of Line
 $FH + WG + (PD/2) - 2.5$

Bottom of line (1/4" gap)
 $FH + WG + PD - (0.25 + 2.5 + WT)$

Customer specified intrusion length
 $FH + WG + WT + IL - 2.5$

Flanged fittings

Flush to the line
Not available

Centre of Line
 $FH + FG + MF + WG + (PD/2) - 2.5$

Bottom of line (1/4" gap)
 $FH + FG + MF + WG + PD - (0.25 + 2.5 + WT)$

Customer specified intrusion length
 $FH + FG + MF + WG + WT + IL - 2.5$

FH = Fitting Height

WG = Weld Gap (if not included in mating flange height). Usually estimated at 0.0625inch

FG = Flange Gap. Usually estimated at 0.0625inch

MF = Mating Flange Height from pipe outside diameter (may be referred to as "nozzle stand-off")

WT = Wall Thickness

PD = Pipe Diameter (Outside)

0.25 = Gap from tip of coupon to opposite pipe wall

2.5 = Calculation constant

IL = Intrusion Length

Note:

The ladder coupon holder is designed to hold 3 pairs of 2inch strip coupons (total 6 coupons). These would be at the top, centre and bottom of the pipe. Therefore RCSL will require detail of the application to provide a correctly designed coupon holder.

RCSL can supply ladder coupon holders suitable to hold other quantities of coupons if required.

Note that due to space restrictions within the pipe it may not be possible to fit 3 pairs of coupons. The main guide is as follows:

≤4inch Pipes = 1 pair of coupons

6inch Pipe = 2 pairs of coupons

≥8inch Pipe = ≥3 pairs of coupons *[Subject to pipe internal diameter]*

9.2 Order Length Calculations For Retrievable Products

Length Calculations For Retrievable Flush Disc Coupon Holders (HC3**-****)

The calculated length should be rounded to the previous 0.125inch manufacturing length increment.

Flare-weld fittings

Intrusive at Entry Point
 $FH + WG + WT - 2.815$

Centre of Line
 $FH + WG + (PD/2) - 2.815$

Bottom of line (1/4" gap)
 $FH + WG + PD - (W.T. + 3.125)$

Customer specified intrusion length
 $FH + WG + WT + IL - 2.815$

Flanged fittings

Intrusive at Entry Point
 $FH + FG + MF + WG + WT - 2.815$

Centre of Line
 $FH + FG + MF + WG + (PD/2) - 2.815$

Bottom of line (1/4" gap)
 $FH + FG + MF + WG + PD - (W.T. + 3.125)$

Customer specified intrusion length
 $FH + FG + MF + WG + WT + IL - (2.5 + EL)$

FH = Fitting Height

WG = Weld Gap (if not included in mating flange height). Usually estimated at 0.0625inch.

FG = Flange Gap. Usually estimated at 0.0625inch.

MF = Mating Flange height from pipe outside diameter (may be referred to as "nozzle stand-off").

WT = Wall Thickness (Pipe)

PD = Pipe Diameter (Outside)

0.25 = Gap from tip of coupon to opposite pipe wall

2.815 = Calculation constant

3.125 = Calculation constant

IL = Intrusion Length

9.2 Order Length Calculations For Retrievable Products

Length Calculations For Retrievable Flush Disc Coupon Holders (HC4**-****)

The length formulas are as per the calculations for standard retrievable fixed length flush disc coupon holder (HC3**-****).

The adjustment range of the adjustable length flush disc coupon holder is 1inch. Therefore it is suggested that the required length is calculated and then 0.5inch is subtracted from the result, in order that the required length is roughly central within the adjustment range.

The calculated length should be rounded to the previous 0.25inch manufacturing length increment.

The minimum order length for adjustable length flush disc coupon holder is 2.5inch.

Please contact RCSL should assistance be required.

9.2 Order Length Calculations For Retrievable Products

Length Calculations For Retrievable Multiple Disc Coupon Holders (HC5**-****)

The calculated length should be rounded to the previous 0.125inch manufacturing length increment.

Flare-weld fittings

Flush to the line
Not available

Centre of Line
 $FH + WG + (PD/2) - 2$

Bottom of line (1/4" gap)
 $FH + WG + PD - (0.25 + 2.5 + WT)$

Customer specified intrusion length
 $FH + WG + WT + IL - 2$

Flanged fittings

Flush to the line
Not available

Centre of Line
 $FH + FG + MF + WG + (PD/2) - 2$

Bottom of line (1/4" gap)
 $FH + FG + MF + WG + PD - (0.25 + 2.5 + WT)$

Customer specified intrusion length
 $FH + FG + MF + WG + WT + IL - 2$

FH = Fitting Height
 WG = Weld Gap (if not included in mating flange height). Usually estimated at 0.0625inch
 FG = Flange Gap. Usually estimated at 0.0625inch
 MF = Mating Flange Height from pipe outside diameter (may be referred to as "nozzle stand-off")
 WT = Wall Thickness
 PD = Pipe Diameter (Outside)
 0.25 = Gap from tip of coupon to opposite pipe wall
 2 = Calculation constant
 2.5 = Calculation constant
 IL = Intrusion Length

Note:

The multiple disc holder is designed to hold 3 pairs of disc coupons. These would be at the top, centre and bottom of the pipe. Therefore RCSL will require detail of the application to provide a correctly designed coupon holder.

RCSL can supply multiple disc holders suitable to hold other quantities of coupons if required.

Note that due to space restrictions within the pipe it may not be possible to fit 3 coupons. The main guide is as follows:

≤3inch Pipes = 2 coupons
 4inch Pipe = 3 coupons
 ≥6inch Pipe = ≥3 coupons

9.2 Order Length Calculations For Retrievable Products

Length Calculations For Other Retrievable Coupon Holders

Please contact RCSL

9.2 Order Length Calculations For Retrievable Products

Length Calculations for Retrievable ER Probes.

The calculated length should be rounded to the previous 0.125inch manufacturing length increment.

Flare-weld fittings

Flush to the line

$$FH - 5.25 + 1.75 + WG + WT$$

Centre of Line

$$FH - 5.25 + 1.75 + WG + (PD/2) \quad [please see note regarding probe elements]$$

Bottom of line (1/4" gap)

$$FH - 5.25 + 1.75 + WG + PD - WT - 0.25$$

Customer specified intrusion length

$$FH - 5.25 + 1.75 + WG + WT + IL$$

Flanged fittings

Flush to the line

$$FH - 5.25 + 1.75 + FG + MF + WG + WT$$

Centre of Line

$$FH - 5.25 + 1.75 + FG + MF + WG + (PD/2) \quad [please see note regarding probe elements]$$

Bottom of line (1/4" gap)

$$FH - 5.25 + 1.75 + FG + MF + WG + PD - (WT + 0.25)$$

Customer specified intrusion length

$$FH - 5.25 + 1.75 + FG + MF + WG + WT + IL$$

FH = Fitting Height

5.25 = Calculation constant

1.75 = Calculation constant

WG = Weld Gap (if not included in mating flange height). Usually estimated at 0.0625inch.

FG = Flange Gap. Usually estimated at 0.0625inch.

MF = Mating Flange height from pipe outside diameter (may be referred to as "nozzle stand-off").

WT = Wall Thickness

PD = Pipe outside Diameter

0.25 = Gap from tip of probe element to opposite pipe wall

IL = Intrusion Length

Notes:

RCSL considers it best practice for centre of the line applications that the probe element straddles the pipe centre line, therefore we would recommend that 1/2 the element length is added on to the calculated length where possible.

The probe element lengths are specified on the relevant data sheets.

For pipes of 4inch diameter and less please check that the probe element can straddle the pipe centre line without contacting the opposite pipe wall should the pipe internal diameter be insufficient.

Please review the individual probe data sheets for details of the minimum probe lengths.

Please contact RCSL if the required length is less than the minimum probe length.

9.2 Order Length Calculations For Retrievable Products

Length Calculations for Retrievable 2 Electrode LPR Probes.

The calculated length should be rounded to the previous 0.125inch manufacturing length increment.

Flare-weld fittings

Flush to the line
Not available

Intrusive at Entry
 $FH - 5.25 + 1.75 + WG + WT + 1.25$

Centre of Line
 $FH - 5.25 + 1.75 + WG + (PD/2)$ *[please see note regarding probe electrodes]*

Bottom of line (¼" gap)
 $FH - 5.25 + 1.75 + WG + PD - (WT + 0.25)$

Customer specified intrusion length
 $FH - 5.25 + 1.75 + WG + WT + IL$

Flanged fittings

Flush to the line
Not available

Intrusive at Entry
 $FH - 5.25 + 1.75 + FG + MF + WG + WT + 1.25$

Centre of Line
 $FH - 5.25 + 1.75 + FG + MF + WG + (PD/2)$ *[please see note regarding probe electrodes]*

Bottom of line (¼" gap)
 $FH - 5.25 + 1.75 + FG + MF + WG + PD - (WT + 0.25)$

Customer specified intrusion length
 $FH - 5.25 + 1.75 + FG + MF + WG + WT + IL$

FH = Fitting Height

5.25 = Calculation constant

1.75 = Calculation constant

1.25 = Electrode Length

WG = Weld Gap (if not included in mating flange height). Usually estimated at 0.0625inch.

FG = Flange Gap. Usually estimated at 0.0625inch.

MF = Mating Flange height from pipe outside diameter (may be referred to as "nozzle stand-off").

WT = Wall Thickness

PD = Pipe outside Diameter

0.25 = Gap from tip of probe element to opposite pipe wall

IL = Intrusion Length

Notes:

The probes utilise electrodes that are 1.25inch long. RCSL considers it best practice for centre of the line applications that the electrodes straddle the pipe centre line, therefore we would recommend that ½ the electrode length is added on to the calculated length where possible.

Please review the individual probe data sheets for details of the minimum probe length.

Please contact RCSL if the required length is less than the minimum probe length.

9.2 Order Length Calculations For Retrievable Products

Length Calculations for Retrievable 3 Electrode LPR Probes.

Note that the calculated lengths do not include the probe electrode length. Please see the note regarding the probe electrode length.

The calculated length should be rounded to the previous 0.125inch manufacturing length increment.

Flare-weld fittings

Flush to the line
Not available

Intrusive at Entry
FH – 5.25 + 1.75 + WG + WT

Centre of Line
FH – 5.25 + 1.75 + WG + (PD/2) – LPEL *[Please see note regarding centre of the line]*

Bottom of line (¼" gap)
FH – 5.25 + 1.75 + WG + PD – (WT + 0.25 + LPEL)

Customer specified intrusion length
FH – 5.25 + 1.75 + WG + WT + IL – LPEL

Flanged fittings

Flush to the line
Not available

Intrusive at Entry
FH – 5.25 + 1.75 + FG + MF + WG + WT

Centre of Line
FH – 5.25 + 1.75 + FG + MF + WG + (PD/2) – LPEL *[Please see note regarding centre of the line]*

Bottom of line (¼" gap)
FH – 5.25 + 1.75 + FG + MF + WG + PD – (WT + 0.25 LPEL)

Customer specified intrusion length
FH – 5.25 + 1.75 + FG + MF + WG + WT + IL – LPEL

FH = Fitting Height

5.25 = Calculation constant

1.75 = Calculation constant

1.25 = Electrode Length

WG = Weld Gap (if not included in mating flange height). Usually estimated at 0.0625inch.

FG = Flange Gap. Usually estimated at 0.0625inch.

MF = Mating Flange height from pipe outside diameter (may be referred to as "nozzle stand-off").

WT = Wall Thickness

PD = Pipe outside Diameter

LPEL = LPR Probe Electrode Length

0.25 = Gap from tip of probe element to opposite pipe wall

IL = Intrusion Length

Notes:

The probes electrodes are of different lengths subject to the material. Please review the electrode lengths and ensure that the electrode will fit within the pipe bore.

RCSL considers it best practice for centre of the line applications that the electrodes straddle the pipe centre line, therefore we would recommend that ½ the electrode length is added on to the calculated length where possible.

Please review the individual probe data sheets for details of the minimum probe length.

Please contact RCSL if the required length is less than the minimum probe length.

9.2 Order Length Calculations For Retrievable Products

Length Calculations for Retrievable Flush Electrode LPR Probes.

The calculated length should be rounded to the previous 0.125inch manufacturing length increment.

Flare-weld fittings

Flush to the line

$$FH - 5.25 + 1.75 + WG + WT$$

Centre of Line

$$FH - 5.25 + 1.75 + WG + (PD/2)$$

Bottom of line (1/4" gap)

$$FH - 5.25 + 1.75 + WG + PD - (WT + 0.25)$$

Customer specified intrusion length

$$FH - 5.25 + 1.75 + WG + WT + IL$$

Flanged fittings

Flush to the line

$$FH - 5.25 + 1.75 + FG + MF + WG + WT$$

Centre of Line

$$FH - 5.25 + 1.75 + FG + MF + WG + (PD/2)$$

Bottom of line (1/4" gap)

$$FH - 5.25 + 1.75 + FG + MF + WG + PD - (WT + 0.25)$$

Customer specified intrusion length

$$FH - 5.25 + 1.75 + FG + MF + WG + WT + IL$$

FH = Fitting Height

5.25 = Calculation constant

1.75 = Calculation constant

WG = Weld Gap (if not included in mating flange height). Usually estimated at 0.0625inch.

FG = Flange Gap. Usually estimated at 0.0625inch.

MF = Mating Flange height from pipe outside diameter (may be referred to as "nozzle stand-off").

WT = Wall Thickness

PD = Pipe outside Diameter

0.25 = Gap from tip of probe element to opposite pipe wall

IL = Intrusion Length

Notes:

It is recommended that the flush LPR probe is used for flush to the line applications only.

Please review the individual probe data sheets for details of the minimum probe length.

Please contact RCSL if the required length is less than the minimum probe length.

9.2 Order Length Calculations For Retrievable Products

Length Calculations for Retrievable Hydrogen Probes

The calculated length should be rounded to the previous 1inch manufacturing length increment.

Please see note regarding minimum probe length

Flare-weld fittings

Flush to the line
Not available due to minimum probe length

Centre of Line
 $FH - 5.25 + 1.75 + WG + (PD/2)$

Bottom of line (1/4" gap)
 $FH - 5.25 + 1.75 + WG + PD - WT - 0.25$

Customer specified intrusion length
 $FH - 5.25 + 1.75 + WG + WT + IL$

Flanged fittings

Flush to the line
 $FH - 5.25 + 1.75 + FG + MF + WG + WT$

Centre of Line
 $FH - 5.25 + 1.75 + FG + MF + WG + (PD/2)$

Bottom of line (1/4" gap)
 $FH - 5.25 + 1.75 + FG + MF + WG + PD - (WT + 0.25)$

Customer specified intrusion length
 $FH - 5.25 + 1.75 + FG + MF + WG + WT + IL$

FH = Fitting Height

5.25 = Calculation constant

1.75 = Calculation constant

WG = Weld Gap (if not included in mating flange height). Usually estimated at 0.0625inch.

FG = Flange Gap. Usually estimated at 0.0625inch.

MF = Mating Flange height from pipe outside diameter (may be referred to as "nozzle stand-off").

WT = Wall Thickness

PD = Pipe outside Diameter

IL = Intrusion Length

0.25 = Gap from tip of probe element to opposite pipe wall

Notes:

The hydrogen probe has a minimum order length of 6inch.

Please contact RCSL if the required length is less than the minimum probe length.

9.2 Order Length Calculations For Retrievable Products

Length Calculations for Retrievable Sand Probes

The calculated length should be rounded to the previous 0.25inch manufacturing length increment.

Flare-weld fittings

Flush to the line
Not available

Centre of Line
 $FH + WG + (PD/2) - (2.04 + N)$

Bottom of line (1/4" gap)
 $FH + WG + PD - (WT + 0.25 + 2.04 + N)$

Customer specified intrusion length
 $FH + WG + WT + IL - (2.04 + N)$

Flanged fittings

Flush to the line
Not available

Centre of Line
 $FH + FG + MF + WG + (PD/2) - (2.04 + N)$

Bottom of line (1/4" gap)
 $FH + FG + MF + WG + PD - (WT + 0.25 + 2.04 + N)$

Customer specified intrusion length
 $FH + FG + MF + WG + WT + IL - (2.04 + N)$

FH = Fitting Height

WG = Weld Gap (if not included in mating flange height). Usually estimated at 0.0625inch.

FG = Flange Gap. Usually estimated at 0.0625inch.

MF = Mating Flange height from pipe outside diameter (may be referred to as "nozzle stand-off").

WT = Wall Thickness

PD = Pipe outside Diameter

IL = Intrusion Length

0.25 = Gap from tip of probe to opposite pipe wall

2.04 = Calculation constant

N = Sand Nut Length

Notes:

The sand probe has a minimum order length of 3.75inch.

Please contact RCSL if the required length is less than the minimum probe length.

9.2 Order Length Calculations For Retrievable Products

Length Calculations for Retrievable Bio Probes

The calculated length should be rounded to the previous 0.125inch manufacturing length increment.

Flare-weld fittings:

Flush to the line
 $(FH+WG+WT) - (2.5") = OL$

Opposite Pipe Wall (not recommended)
 $(FH+WG+PD) - (2.5"+WT+0.25") = OL$

Flanged fitting:

Flush to the line
 $(FH+WG+FG+MF+WT) - (2.5") = OL$

Opposite Pipe Wall (not recommended)
 $(FH+WG+FG+MF+PD) - (2.5"+WT+0.25") = OL$

FH = Fitting Height

WG = Weld Gap (if not included in mating flange height). Usually estimated at 0.0625inch.

FG = Flange Gap. Usually estimated at 0.0625inch.

MF = Mating Flange height from pipe outside diameter (may be referred to as "nozzle stand-off").

WT = Wall Thickness

PD = Pipe outside Diameter

IL = Intrusion Length

OL = Overall Length including the 1" Delrin

9.2

Order Length Calculations For Retrievable Products

Length Calculations for Chemical Injection

Flush - Non Flange Access Fitting

$$X \text{ Open: } (FH + PW) - (2.04 + N) = L$$

$$X \text{ NPT: } (FH + PW) - (3.353 + N) = L$$

Flush - Flange Access Fitting

$$X \text{ Open: } (FH + PW + MF) - (2.04 + N) = L$$

Top of Line - Non Flange Fitting

$$X \text{ Open: } (FH + PW + IL) - (2.04 + N) = L$$

$$X \text{ NPT: } (FH + PW + IL) - (2.04 + N) = L$$

$$X \text{ Quill: } (FH + PW + IL) - (2.04 + N) = L$$

Top of Line - Flange Fitting

$$X \text{ Open: } (FH + PW + IL + MF) - (2.04 + N) = L$$

$$X \text{ NPT: } (FH + PW + IL + MF) - (3.363 + N) = L$$

$$X \text{ Quill: } (FH + PW + IL + MF) - (2.04 + N) = L$$

Centre of Line - Non Flange Fitting

$$X \text{ Quill: } (FH + PD/2) - (2.04 + N) = L$$

$$X \text{ Head: } (FH + PD/2) - (2.04 + N) = L$$

Centre of Line - Flange Fitting

$$X \text{ Quill: } (FH + PD/2 + MF) - (2.04 + N) = L$$

Bottom of Line - Non Flange Fitting

$$X \text{ Open: } (FH + PD) - (2.04 + N + PW) = L$$

Bottom of Line - Flange Fitting

$$X \text{ Open: } (FH + PD + MF) - (2.04 + N + PW) = L$$

FH = Access Fitting Height

PW = Pipe Wall Thickness

N = Injection Nut Length

L = Injection Tube Length

MF = Mating Flange Height

IL = Insertion Length into Pipe or Vessel

PD = Pipe Outside Diameter

9.3 Seals and O-Rings



Temperature Range	Material	Product Code
-45° to +176°C	"O" Ring, Viton	700600
-50° to +350°F	Primary Packing	700266
Steam to: + 250°C 450°F	"O" Ring, Ethylene Propylene	700139
	Primary Packing, Vespel	700773
+176 to +260°C +350° to +500°F	"O" Ring, Kalrez or Chemraz	700680
	Silicone	700601
	Primary Packing, Vespel	700733
In Excess of 287°C 500°F	Primary Packing, Nitronic 60	700284
	Do not use "O" rings at these temperature.	

Other seal materials are available, please ask our sales department.